

MXA60TB - Black Finish

Should service be necessary under this warranty for any reason due to manufacturing defects or malfunction during the warranty period, Memphis Audio will replace or repair (at its discretion) the defective merchandise with equivalent merchandise at no charge. This warranty is valid only for the original purchaser and is not extended to owners of the product subsequent to the original purchaser. Any application implied warranties are limited in duration to a period of the express warranty as provided herein beginning with the date of the original purchase at retail, and no warranties, whether express or implied shall apply to this product thereafter. Some states do not allow limitations on implied warranties, therefore these exclusions may not apply to you. This warranty gives you specific legal rights; however, you may have other rights that vary from state to state. This warranty is only valid within the USA. For warranties outside of the USA consult the appropriate international distributor.

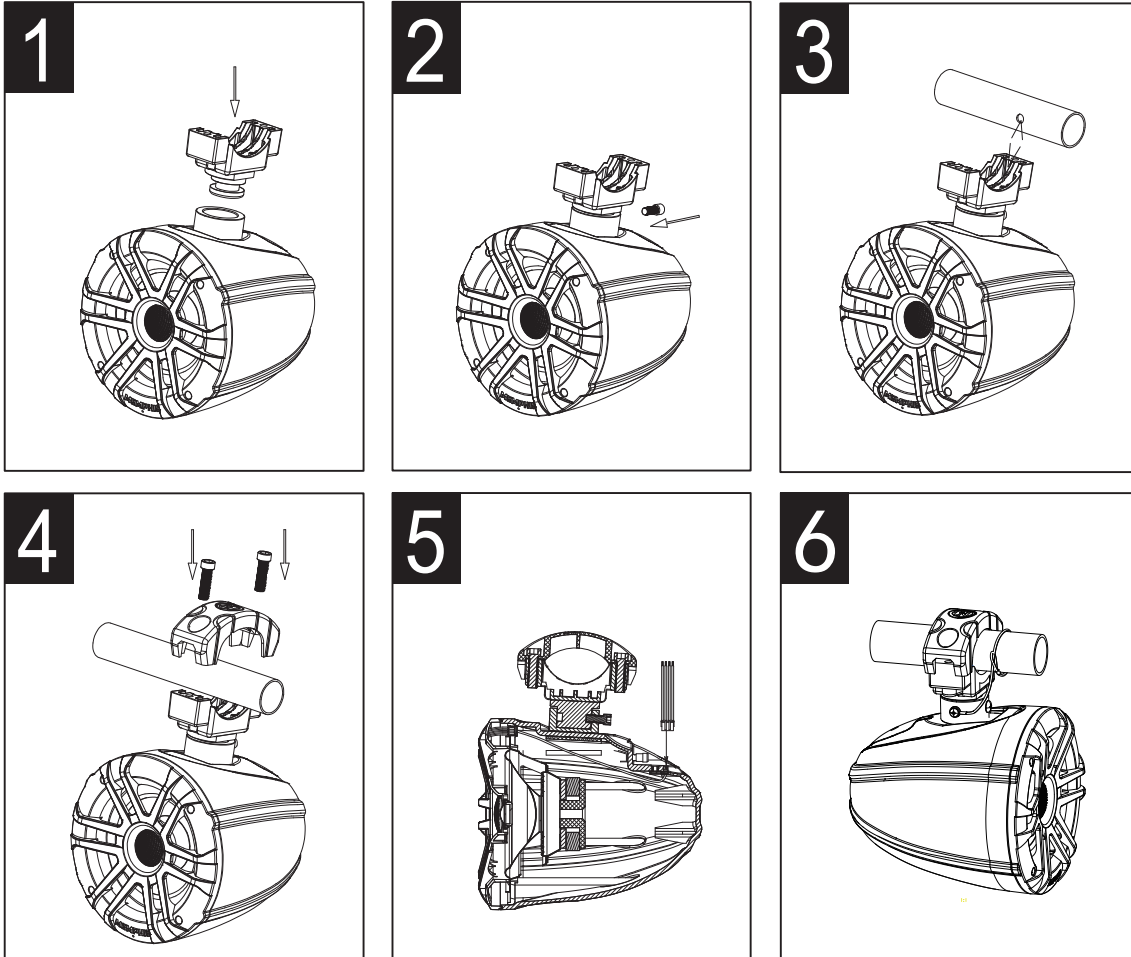
MXA60TB CONTENTS:	2 SPEAKERS / 2 CLAMPS
POWER HANDLING	75W RMS / 150W PEAK
TWEETER	0.75" BLACK PEI DIAPHRAGM
SPEAKER DIMENSIONS	6.5"
NOMINAL IMPEDANCE	4Ω
CLAMP SIZE	1.75" TO 3"
FEATURES	<ul style="list-style-type: none"> • INJECTION MOLDED POLYPROPYLENE CONE • WEATHER RESISTANT RUBBER SURROUND • POWDER COATED WATER RESISTANT BASKET • COMPOSITE HYBRID GRILL/HORN THROAT

Warranty

Memphis audio warrants the product to be free from defects in material and workmanship under normal use for a period of two years from the date of original purchase when purchased and installed by an authorized Memphis Audio dealer.

Mounting Instructions

Each speaker has a final impedance of 4Ω. Please check the specifications of your amplifier BEFORE bridging or wiring multiple speakers in parallel. Failure to do so could result in damage to your amplifier!



LED Wiring instructions

The internal LEDs are capable of a million different colors using a LED controller such as the Memphis MXALEDCR. If you do not have a LED controller you can achieve any of the below solid colors. Each color has its own control line, so the RGB LEDs are 4-wire systems: common (black), red, green and blue. If you ground red, green or blue, the corresponding diode will light. Here is a list of possible colors:

Red	Green	Blue	Emitted color
0	0	0	None
1	0	0	Red
0	1	0	Green
0	0	1	Blue
1	1	0	Yellow
0	1	1	Cyan
1	0	1	Magenta
1	1	1	White

1=Ground applied