

A = PRX27

B = PRX3

C = PRX4

D = PRX5/PRX50C

E = PRX602/PRX603

F = PRX60/PRX60C

Tweeter Installation

Tweeters should be positioned high, preferably at ear level. Optimum performance will be obtained when tweeters are angled toward the listener. The included angled mount is an easy way to achieve this when door or dash mounting a tweeter.



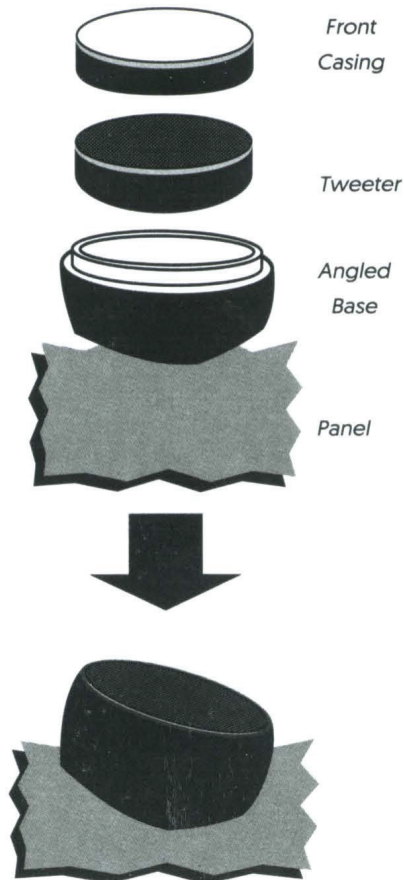
MEMPHIS



Established 1965, Memphis, TN, USA

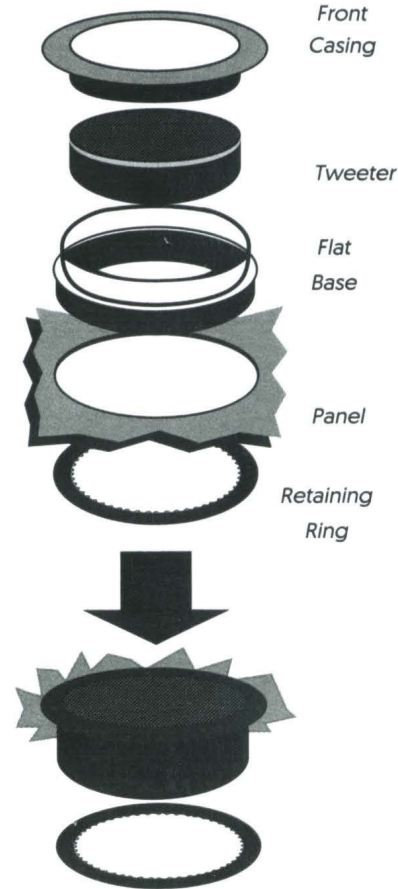
Angle Mount

When the surface you are mounting your tweeter to points away from the listener, use the included angle mount to direct the sound back towards the listener.



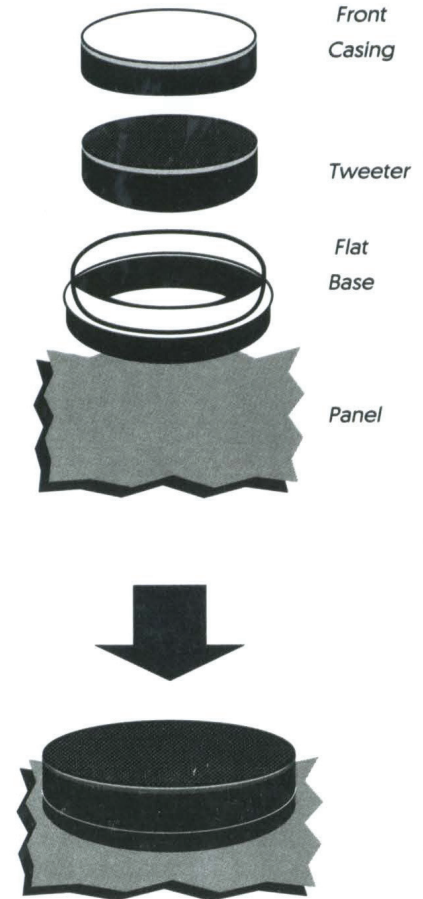
Flush Mount

The best tweeter mounting option is a flush mount. The recessed design provides superior protection for the tweeter and it blends with the interior of your vehicle.



Surface Mount

When there is inadequate depth available for flush mounting, the surface mount option provides a convenient mounting solution.





5.25"
Component Set



PR *PRX50C*
5.25" Component Set
Q **POWER REFERENCE**

50/100 WATT
RMS/PEAK POWER



PRX50C 5.25" Component Set

Memphis Audio
122 Gayoso Ave
Memphis, TN 38103

P. 800.489.2300
www.memphiscaraudio.com



MEMPHIS

A U D I O S I N C E 1 9 6 5



FEATURES

- Polypropylene cone
- Polyurethane surround
- Separate poly dome tweeter
- Separate crossover
- Perfect fit for many applications

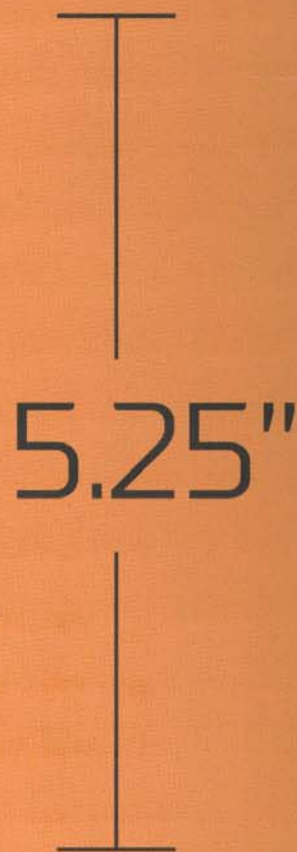


MEMPHIS

A U D I O S I N C E 1 9 6 5

SHOW US YOUR INSTALL!

#MemphisAudio



PRX50C

Size (in)	5.25 / 1
RMS / PEAK (w)	50/100
Sensitivity (dB)	88
Magnet Size (oz)	10
Mounting Depth (in)	2.125



P O W E R R E F E R E N C E

LIMITED WARRANTY

Memphis Audio warranties this product for defects in material or workmanship for 2 years from the date of purchase when installed by an authorized Memphis Audio Dealer. If purchased from but not installed by an authorized dealer, the warranty is 1 year. This warranty is void if the product has been physically damaged by improper use or abuse, or if repairs have been attempted outside of a Memphis Audio repair facility.

This warranty is limited to the original retail purchaser and does not cover any expense incurred in the removal or re-installation of the product. This warranty does not apply to product exterior and cosmetics. Memphis Audio disclaims any liability for incidental or consequential damages caused by product defects. Memphis Audio's liability will not exceed the purchase price of the product and the warranty period specified.

What is NOT Covered under this warranty

Damage due to improper installation

Damage Caused by exposure to moisture, excessive heat, chemical cleaners and/or UV radiation

Damage through negligence, misuse, accident or abuse. Repeated returns for the same damage may be considered abuse.

Product damaged in an accident and/or due to criminal activity

Service performed by anyone other than Memphis Audio

Subsequent damage to other components

Any cost or expense related to the removal or re-installation of product

Speakers damaged due to amplifier clipping or distortion

Products with tampered, missing, altered or defaced serial number labels

Freight damage

The cost of shipping product to Memphis Audio

Return shipping on non-defective items

Any product not purchased from an Authorized Memphis dealer

Some states do not allow the exclusion or limitation of incidental or consequential damages, so the above limitations or exclusions may not apply to you.

This warranty gives you specific rights and you may have other rights which vary from state to state.

If warranty service is required, a return authorization number is required to return the product to Memphis Audio/AFCO, Inc. Warranty shipments to Memphis Audio are the responsibility of the purchaser. Pack the product carefully in the original carton if possible. Memphis Audio will NOT be responsible for damages incurred in shipment or due to improper packaging materials used by the purchaser.

If determined to be in warranty, product will be repaired or replaced at the discretion of Memphis Audio.,



THIS CARD MUST ACCOMPANY YOUR SHIPMENT SHOULD SERVICE BE REQUIRED

MODEL# _____ SERIAL# _____
STREET ADDRESS _____
DEALER NAME _____
PURCHASER NAME _____
CITY _____ STATE _____ ZIP _____
DATE PURCHASED _____
DESCRIBE PROBLEM IN DETAIL _____

EMAIL _____
PHONE _____

Visit WWW.MEMPHISCARAUDIO.COM/REGISTER to register your product with Memphis Audio
and receive news updates and a chance to win FREE memphis Gear!

FOLLOW US:



@MEMPHISCARAUDIOUSA



@MEMPHISCARAUDIO

Please call 800-489-2300 to obtain the required Return Authorization number. Include this number in your package along with a copy of your receipt and send to:

**AFCO Inc.
Attn: (Insert your Return Authorization Number heere)
300 Regency Drive
Glendale Heights, IL 60139**