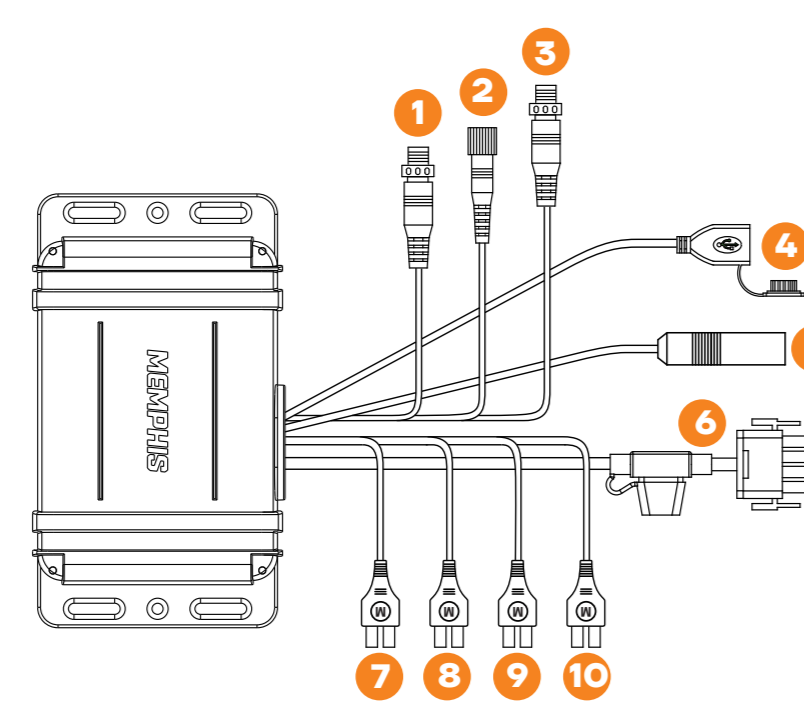




INSTALLATION OVERVIEW

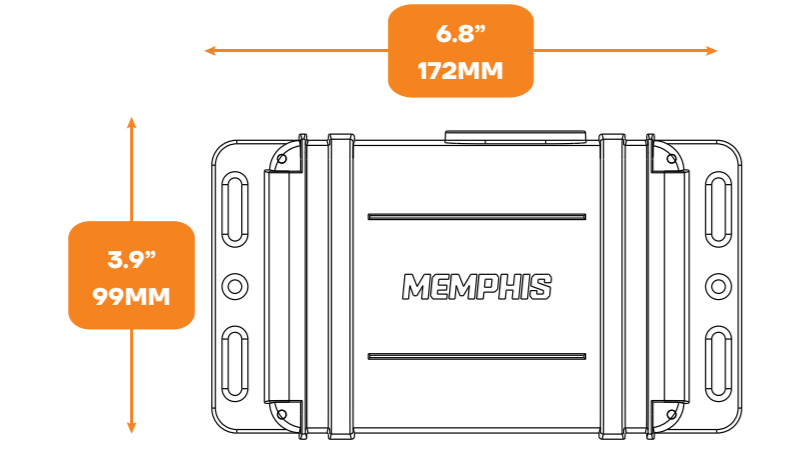


**TRIGGER OUTPUTS**  
Trigger wires can be used to add additional accessories and send a 12-volt signal to turn them on. Trigger 1 can be controlled using the softkey on the remote, while Triggers 1-4 can be controlled through the app interface—making it easy to add and manage multiple accessories on your machine.  
**Note: 200mA max output per trigger.**  
Trigger 1: Orange  
Trigger 2: Blue  
Trigger 3: White  
Trigger 4: Black

**POWER/AUDIO OUTPUTS**  
Red // 12V+ Ignition  
Black // Ground  
Blue // Amp & Antenna Turn on  
Yellow // B+ Battery  
White & Black // Left Front Speaker (-) Zone 1  
White // Left Front Speaker (+) Zone1  
Grey & Black // Right Front Speaker (-) Zone 1  
Grey // Right Front Speaker (+) Zone1  
Green & Black // Left Rear Speaker (-) Zone 1  
Green // Left Rear Speaker (+) Zone1  
Purple & Black // Right Rear Speaker (-) Zone 1  
Purple // Right Rear Speaker (+) Zone 1

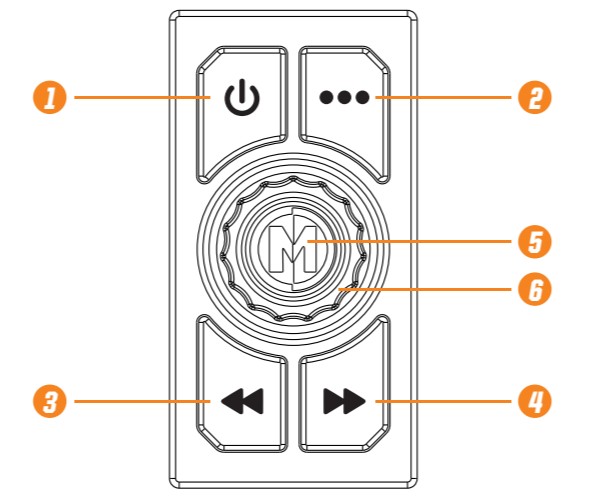
CONNECTIONS

- |                     |                             |                               |
|---------------------|-----------------------------|-------------------------------|
| 1. Positive Trigger | 5. Radio Antenna            | 9. White RCA / Front (Zone 1) |
| 2. RGB Led          | 6. Power/Audio Outputs      | 10. Black RCA / AUX IN        |
| 3. Wired Remote     | 7. Green RCA / SUB (Zone 2) |                               |
| 4. USB*             | 8. Red RCA / Rear (Zone 1)  |                               |
- \*USB is thumb drive and charge only, no phone data connection



**\*CHECK AVAILABLE MOUNTING AREA PRIOR TO CUTTING OR MOUNTING.**  
The unit's width is 99mm, but you must leave enough space for wires and connections. Before mounting, check your installation location to ensure there is adequate room for both the unit and its wiring. Always verify your mounting position before drilling or installing to prevent damage to your vehicle.

BUTTON FUNCTIONS



**CONTROLS**  
1. **POWER/SOURCE**  
2. **SOFT KEY (...)**  
3. **BACK ARROW**  
4. **FORWARD ARROW**  
5. **PUSH ROTARY KNOB**  
6. **VOLUME UP/DOWN**

POWER/SOURCE BUTTON

**POWER ON:**  
SHORT PRESS to power unit ON. LONG PRESS for 2 seconds to power unit OFF.

SOURCE SELECTION:

When unit is ON, short press to scroll through available sources, color changes with sources.  
Source colors are as follows: Bluetooth (BLUE), FM (RED), AM (PINK), AUX (GREEN), WB (YELLOW), USB (CYAN)

SOFT KEY (...)

SHORT PRESS to turn on/off the RGB light. LONG PRESS to turn on/off Trigger 1

BACK/FORWARD ARROWS

**RADIO MODE:**  
In the App you can set your SHORT PRESS to tune stations in the following ways in the FM Settings or AM Settings Menu:  
MANUAL TUNE, SEEK TUNE, or PRESET TUNE. Set the function in the app.

SHORT PRESS Back arrow tunes Backward based on your selection in the app, LONG PRESS will ALWAYS Seek backwards.  
SHORT PRESS Forward arrow tunes Forward based on your selection in the app, LONG PRESS will ALWAYS Seek Forward.

USB MODE:

SHORT PRESS Back arrow skips to previous song, LONG PRESS Rewinds through song.  
SHORT PRESS Forward arrow skips to next song, LONG PRESS Fastforwards through song.

BT MODE:

SHORT PRESS Back arrow skips to previous song.  
SHORT PRESS Forward arrow skips to next song.

PUSH ROTARY KNOB

**RADIO MODE:**  
Short press to mute.

USB MODE:

Short press to pause/play.

BT MODE:

Short press to pause/play.

VOLUME UP/DOWN

Turn the knob left or right to raise or lower volume.

Downloading Memphis Command App

The MEMPHIS COMMAND APP is available on iOS & Android in the app store. Search for "MEMPHIS COMMAND" and locate the MEMPHIS COMMAND APP. Download and install the app to begin controlling your SMCHLA.



Bluetooth Pairing (Audio Streaming Only)

When unit is powered on, search for Bluetooth Devices. Look for SMCHLA Audio on your Bluetooth Device. Select this device to pair with the SMCHLA unit. When connected via Bluetooth you can stream music to your SMCHLA unit.

Bluetooth Pairing The APP

To control you SMCHLA units settings and radio stations via the MEMPHIS COMMAND APP, you must establish a Bluetooth connection using the MEMPHIS COMMAND APP. Open the BLUETOOTH SETTINGS menu on the MEMPHIS COMMAND APP and follow the instructions on the next page to pair your MEMPHIS COMMAND APP with you SMCHLA unit.

APP INSTRUCTIONS

Main Menu/Source Selection

- 
- Settings
  - Bluetooth Source
  - FM Radio Source
  - AM Radio Source
  - AUX Source
  - WB Radio Source
  - Adjust LED Color
  - Previous Track
  - Next Track
  - Volume Control

Settings

- 
- ZONE 1 Control
  - Volume Control
  - EQ Menu
  - ZONE 2 Control
  - Volume Control
  - EQ Menu
  - Trigger
  - Radio Region
  - Bluetooth Setting
  - Adjust LED Color Setting
  - Restore Default Setting
  - APP Version Information
  - Back to Home

Bluetooth Settings Menu

- 
- Use this menu to connect your MEMPHIS COMMAND APP via Bluetooth to your SMCHLA unit. This connection allows the MEMPHIS COMMAND APP to control your SMCHLA. You should only have to make this connection once to pair the MEMPHIS COMMAND APP to the SMCHLA.
  - Connect to SMCHLA via Bluetooth

Fade/Balance Menu

- 
- Slide the center block Forward/Backward/Left/Right to adjust the volume of the speakers
  - You can also tap the Up/Down/Left/Right arrow "+" icons to adjust the volume
  - Click the center point to restore the default value

EQ Settings Menu

- 
- EQ Selection: Click the left arrow to switch settings
  - EQ Selection: Click the right arrow to switch settings
  - Manual EQ Adjustment: Customize the gain of different frequency points

LED Color Settings Menu

- 
- Turns the LED light on/off
  - Use the wheel to select your LED color. Touch the wheel and slide the indicator point to the desired color
  - You can adjust the brightness using the slider
  - Long press the small square for 2 seconds to save the current light color
  - Click the small square to switch colors

**Trigger Settings Menu**

- Turns Trigger 1 on/off
- Turns Trigger 2 on/off
- Turns Trigger 3 on/off
- Turns Trigger 4 on/off

**AUX Source Screen**

- Slide to adjust the volume level

**USB Source Screen**

- Seek Bar
- Previous Track
- Pause
- Next Track
- Switch modes: Sequential Play/Loop Play/Shuffle Play
- Slide to adjust the volume level

**WB Source Screen**

- Indicates current frequency
- Manually tap to select a frequency
- Tap to cycle to the previous frequency
- Tap to cycle to the next frequency

**FM/AM Source Screen**

- Indicates current frequency
- Tapping highlights SEEK, then use buttons 7/8 to auto-scan and stop at stations
- Tapping highlights APS to store auto-scanning & saving stations. Tap again during scanning to stop immediately
- Tapping highlights PRESET, then use buttons 7/8 to browse saved stations.
- Tapping highlights MANUAL, then use buttons 7/8 to tune frequencies manually
- Slide to adjust the volume level
- Tap FM1/FM2/FM3 (buttons 9/10/11) to access 6 preset stations under each frequency bank

Note: FM and AM functions are the same. On the AM Radio screen, tap AM1/AM2 (buttons 9/10) to access 6 preset stations under each frequency bank.

WARRANTY

Electronics limited warranty (including Memphis accessories) When purchased from an Authorized Memphis Dealer, Memphis warrants this product to be free from defects in material and workmanship under normal use for a period of ONE (1) YEAR from date of original purchase (receipt required), THREE (3) YEARS years if installed by an authorized Memphis dealer (receipt required). If this product is identified as "Refurbished" or "B Goods", the warranty is limited to a period of THREE (3) MONTHS from date of original purchase. In all cases you must have the original receipt. Should service be necessary under this warranty for any reason due to manufacturing defect or malfunction during the warranty period, Memphis will repair or replace (at its discretion) the defective merchandise with equivalent merchandise. Warranty replacements may have cosmetic scratches and blemishes. Discontinued products may be replaced with more current equivalent products. Warranty is valid only for the original purchaser and is not extended to owners of the product subsequent to the original purchaser. Any applicable implied warranties are limited in duration to a period of the express warranty as provided herein beginning with the date of the original purchase at retail, and no warranties, whether express or implied, shall apply to this product thereafter. NOTE: This equipment has been tested and found to comply with the limits for a Class B digital device, pursuant to part 15 of the FCC Rules. These limits are designed to provide reasonable protection against harmful interference in a residential installation. This equipment generates, uses and can radiate radio frequency energy and, if not installed and used in accordance with the instructions, may cause harmful interference to radio communications. However, there is no guarantee that interference will not occur in a particular installation. If this equipment does cause harmful interference to radio or television reception, which can be determined by turning the equipment off and on, the user is encouraged to try to correct the interference by one or more of the following measures: Reorient or relocate the receiving antenna. Increase the separation between the equipment and the receiver. Connect the equipment into an outlet or a circuit different from that to which the receiver is connected. Consult the dealer or an experienced radio/TV technician for help.

**SHOW US YOUR INSTALL**  
WWW.MEMPHISCARAUDIO.USA  
@MEMPHISCARAUDIO  
@MEMPHISCARAUDIOUSA



**CONTACT**  
TECH SUPPORT  
800-903-6979