



HÖGTALARE  
BIGGIE





# Index

Overview	5
On/Off	7
AUX/Bluetooth Mode Switch	8
Bluetooth Pair and Connect	9
Adjust Volume	10
Charge	11
Battery Indicator	12
Stereo Play (TWS) Pair/Unpair	13
Remove/Attach Handle	14
Wall Mount (optional accessory)	15
Technical Information	16
FCC Statement	17
Safety and Maintenance Instructions	18

We sincerely thank you for choosing MOREL for your audio experience.

Over four decades of innovation and handmade craftsmanship are the core of every speaker we manufacture. The HÖGTALARE BIGGIE is a labor of love and unparalleled passion that pushes design and acoustic boundaries to create a speaker that will unleash the raw emotions in music.

We wish you many years of listening enjoyment.

Product information



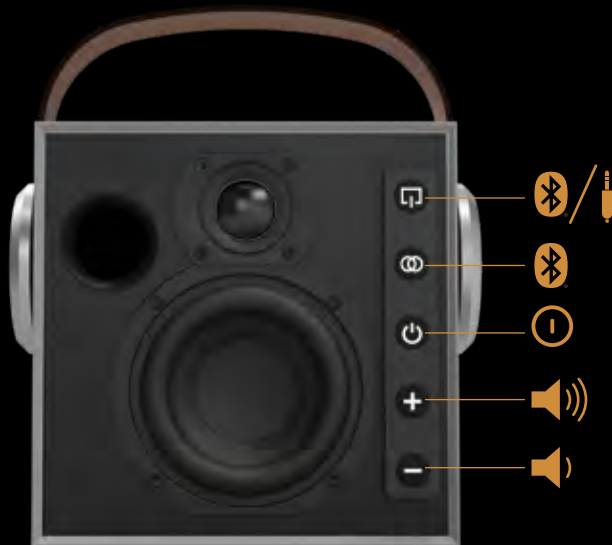
Product registration



# FORGED FOR MUSIC

# Overview

---





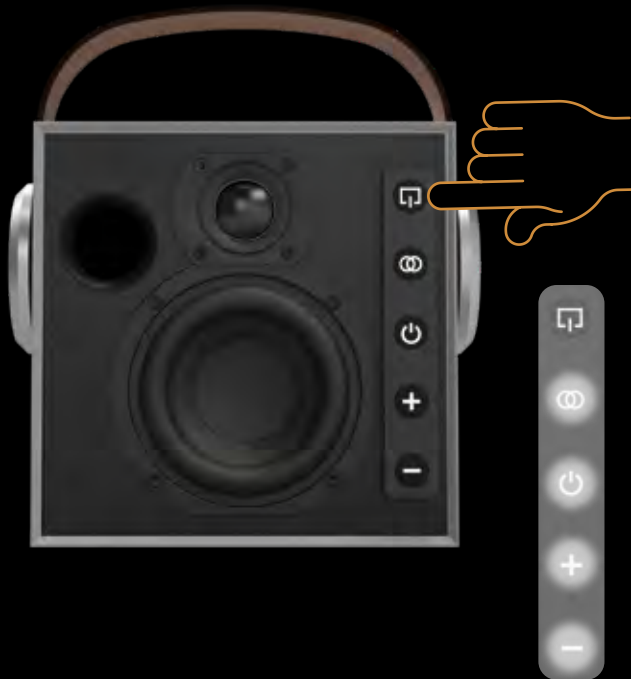
# On/Off

---



## AUX / Bluetooth Mode switch

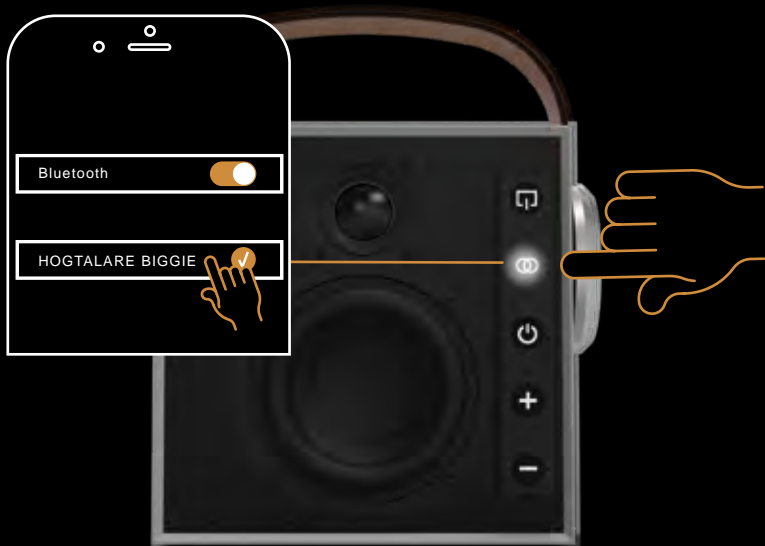
---





# Bluetooth Pair and Phone Connect

---



# Adjust Volume

---



# Charge

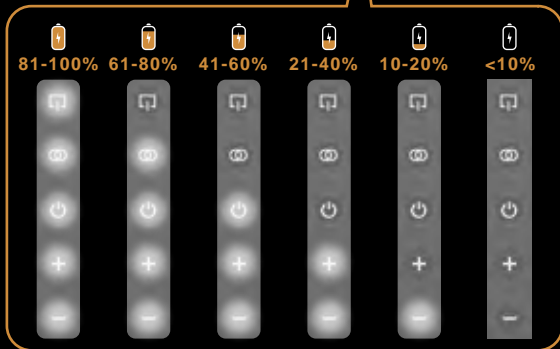
---



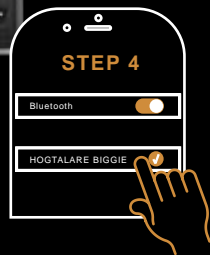
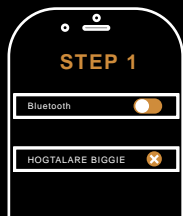
Use the charger provided in the package



# Battery Indicator

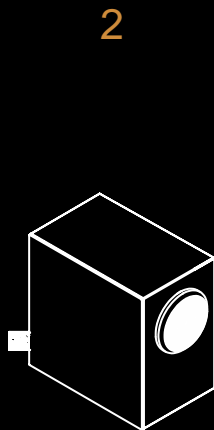
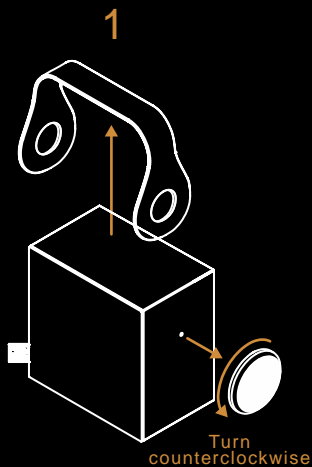


# Stereo Play (TWS) Pair/Unpair



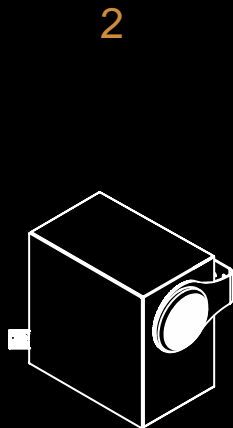
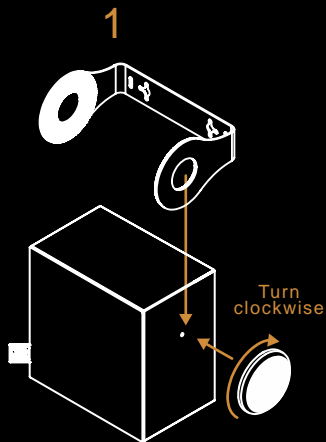
## Remove/Attach Handle

---



## Wall Mount (optional accessory)

---



# Technical Information

---

All specifications are subject to change without prior notice

- **DRIVER AND BUILD**
- (1) 4" high power woofer
- (1) 1" soft dome tweeter
- Frequency response: 40-20,000 Hz
- Reinforced MDF cabinet
- W 182mm x H 182mm x D 116mm

## CONNECTIVITY

- Bluetooth version 5.3
- Supported protocols: A2DP, AVRCP, AVDTP, HFP, HSP
- Audio codec: SBC
- Interface: 3.5mm (audio line-in), Type-C (charging)
- Audio input: 3.5mm line-in, Bluetooth
- Lithium battery: 11.1V/2500mAh
- Charging time: 2H
- Charger: PD 20W
- Play time: 20 hours (at 50% volume)
- Operating range: 20m



# FCC Statement

---

This device complies with part 15 of the FCC rules. Operation is subject to the following two conditions:

1. This device may not cause harmful interference and
2. This device must accept any interference received, including interference that may cause undesired operation.

Important: Changes or modifications to this product that are not authorized could void the FCC compliance and negate your authority to operate the product.

NOTE: This equipment has been tested and found to comply with the limits for a Class B digital device, pursuant to part 15 of the FCC Rules. These limits for a signed to provide reasonable protection against harmful interference in a residential installation. This equipment generates uses and can radiate radio frequency energy and, if not installed and used in accordance with the instructions, may cause harmful interference to radio communications. However, there is no guarantee that interference will not occur in a particular installation. If this equipment does cause harmful interference to radio or television reception, which can be determined by turning the equipment off and on, the user is encouraged to try to correct the interference by one or more of the following measures:

- Reorient or relocate the receiving antenna.
- Increase the separation between the equipment and receiver.
- Connect the equipment into an outlet on a circuit different from that to which the receiver is connected.
- Consult the dealer or an experienced radio / TV technician for help.

FCC Radiation Exposure Statement: This equipment complies with FCC radiation exposure limits set forth for an uncontrolled environment. This equipment should be installed and operated with minimum distance 20cm between the radiator & your body.

# Safety and Maintenance Instructions

---

Kindly review these safety and maintenance instructions before operating your device.

1. Keep the Morel HÖGTALARE BIGGIE Bluetooth speaker away from heat-emitting sources like radiators, heaters, or other appliances that generate heat.
2. Position the speakers on a stable surface to prevent accidental falls that could result in damage or injury.
3. Avoid prolonged exposure of the product to direct sunlight, as elevated temperatures can potentially compromise its longevity, impact the battery life, and distort certain plastic components.
4. Protect the speaker from extreme cold conditions, which may harm the internal circuitry.
5. Note that rechargeable batteries have a finite number of charge cycles, and their longevity varies based on usage and settings.
6. Prevent liquids from entering the device.
7. Before cleaning the speakers with a dry cloth, ensure the power switch is in the off position, and disconnect the power cord from the outlet.
8. Refrain from subjecting the product to throwing or stamping, as this could result in damage to the internal circuitry.
9. Avoid attempting to disassemble the device; such actions should be exclusively performed by a qualified professional.
10. Refrain from using concentrated chemicals or detergents when cleaning the product.
11. Utilize power supplies rated at 5V/2A~20V/1A only. Connecting power sources with higher voltages might lead to severe damage.
12. Disposing of or placing the lithium battery near fire or intense heat must be avoided to prevent any risk of explosion.
13. If you encounter any issues with your product, please contact the retailer from whom you purchased it. They will provide necessary assistance, and if required, manage any claims directly with Morel.



# UNLEASH THE MUSIC



More!, Ness Ziona, 70400 Israel.

Tel: +972-8-9301161

Fax: +972-8-9301312

E-mail: [info@morehifi.com](mailto:info@morehifi.com)

More! America, Chandler, AZ, USA

Toll free number: 1-877-667-3511

Fax: 1-718-721-1560

E-mail: [info@morelamerica.com](mailto:info@morelamerica.com)

[www.morehifi.com](http://www.morehifi.com)