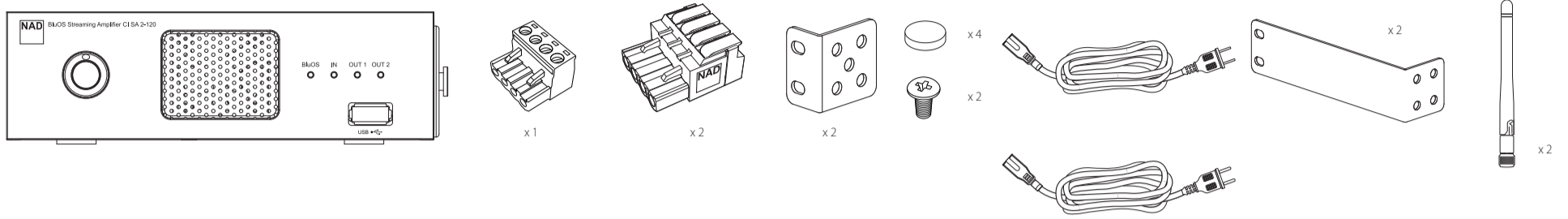


NAD CI SA 2-120 BluOS Streaming Amplifier

Quick Setup Guide

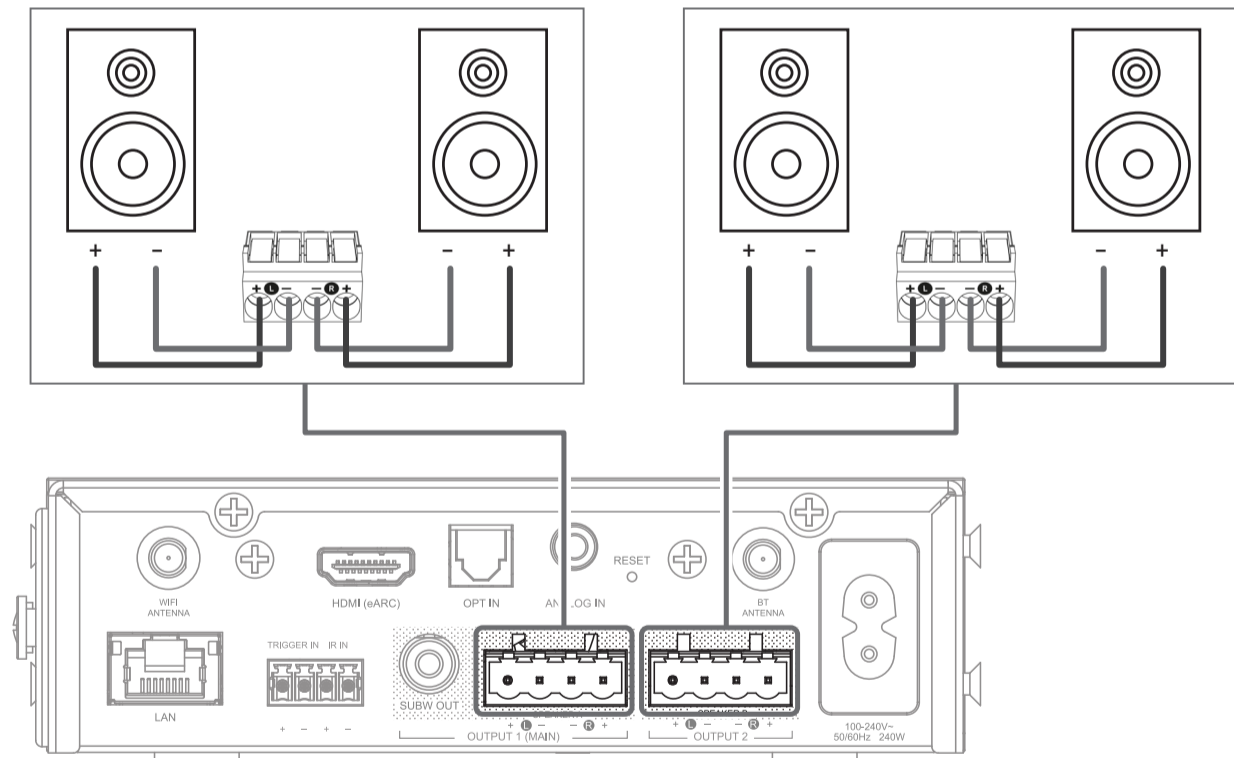
WHAT'S IN THE BOX



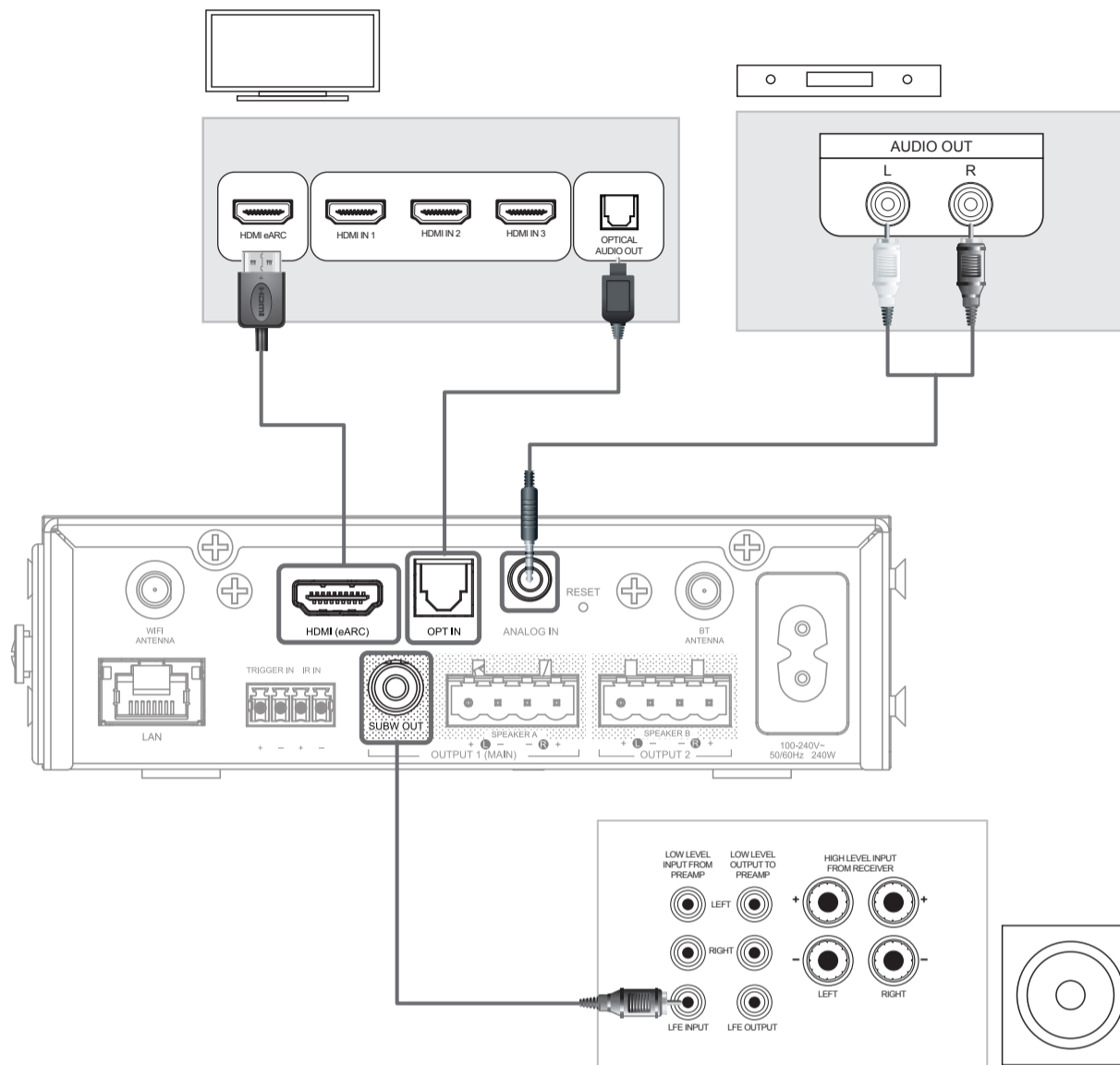
INSTALL SPEAKER WIRES TO SPEAKER CONNECTOR BLOCK



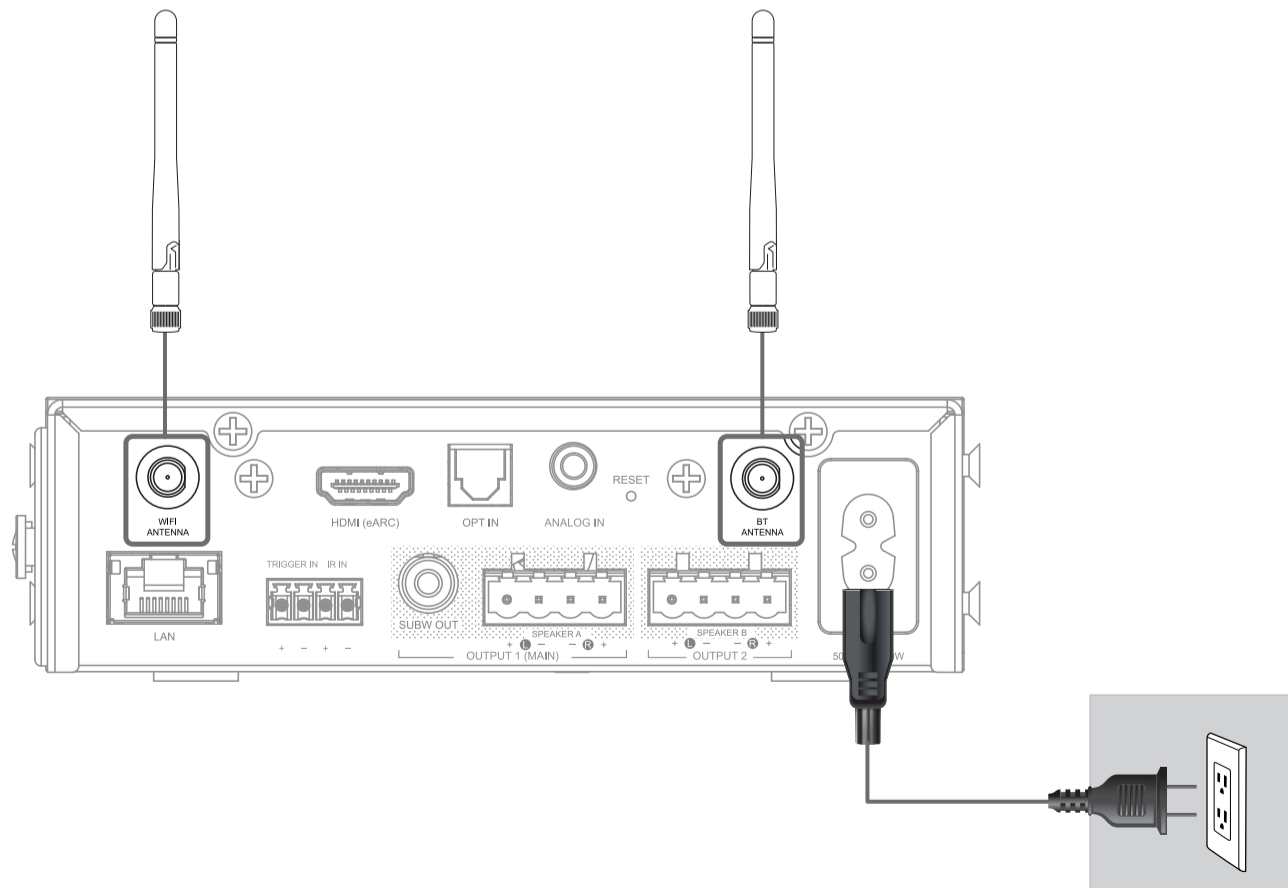
CONNECT SPEAKER CONNECTOR BLOCK



CONNECT INPUT AND OUTPUT DEVICES

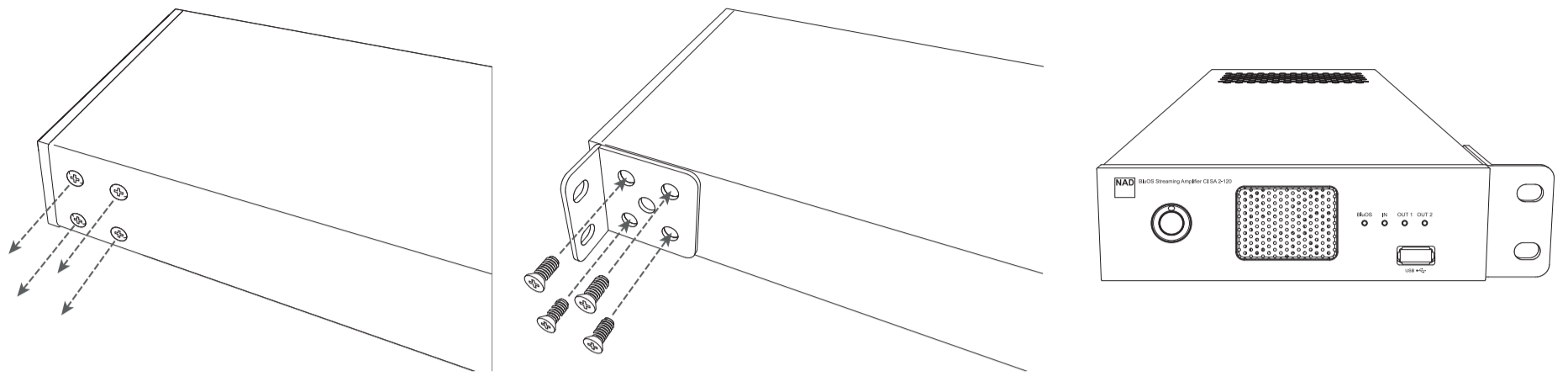


CONNECT BLUETOOTH/WI-FI ANTENNA AND POWER CORD

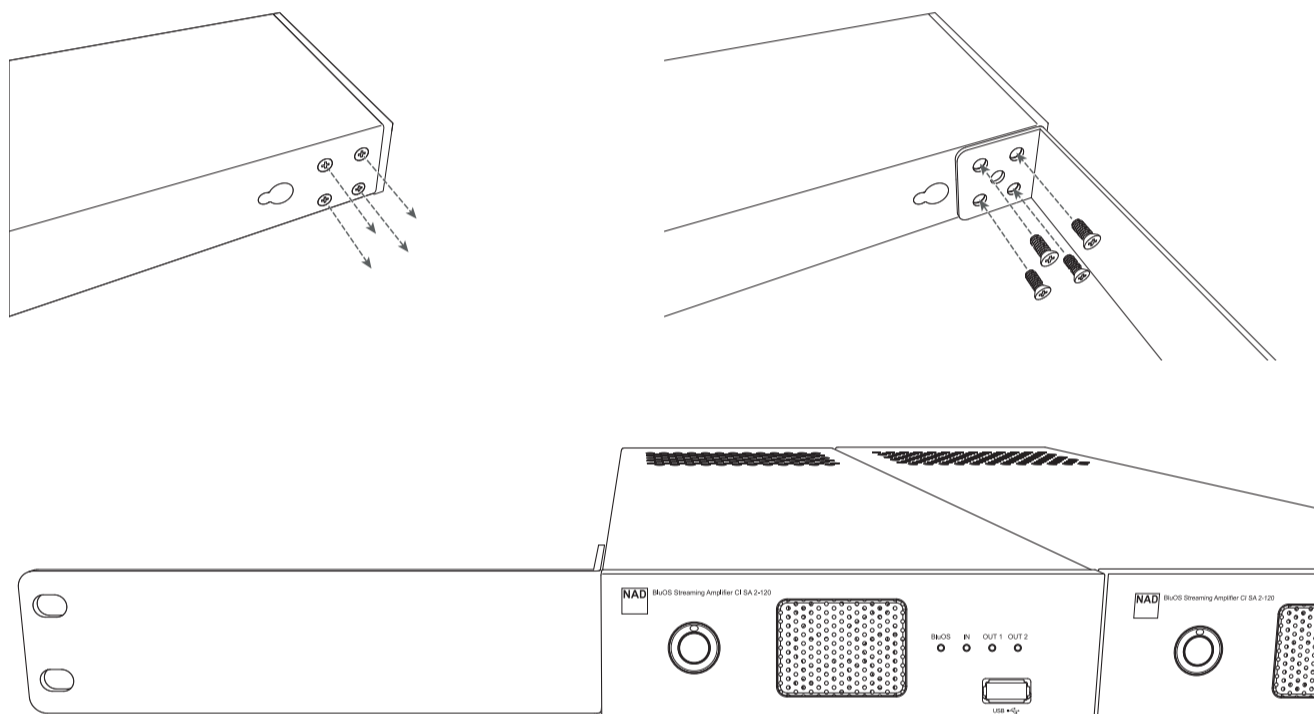


INSTALL RACK EARS

Short rack ear

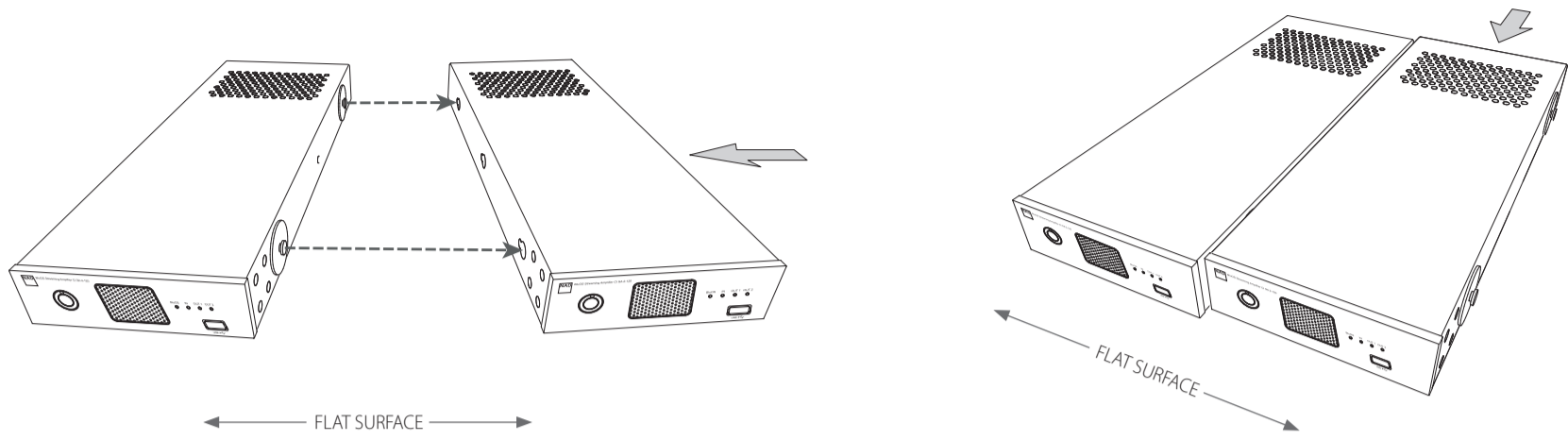


Long rack ear

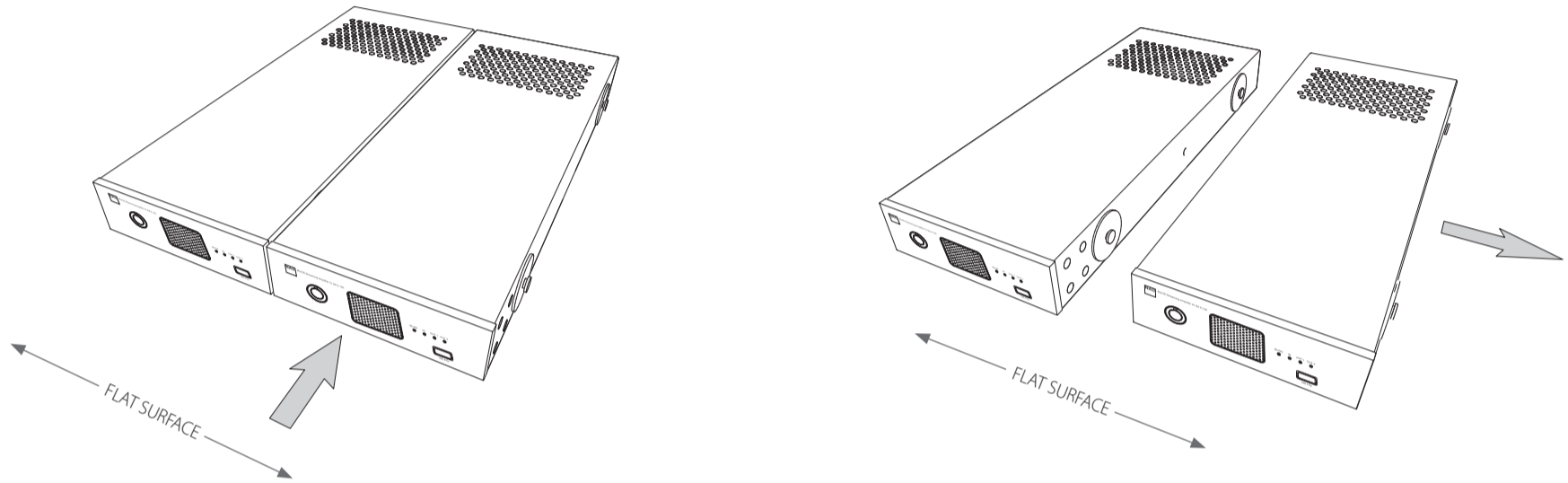


ASSEMBLE TWO OR THREE UNITS

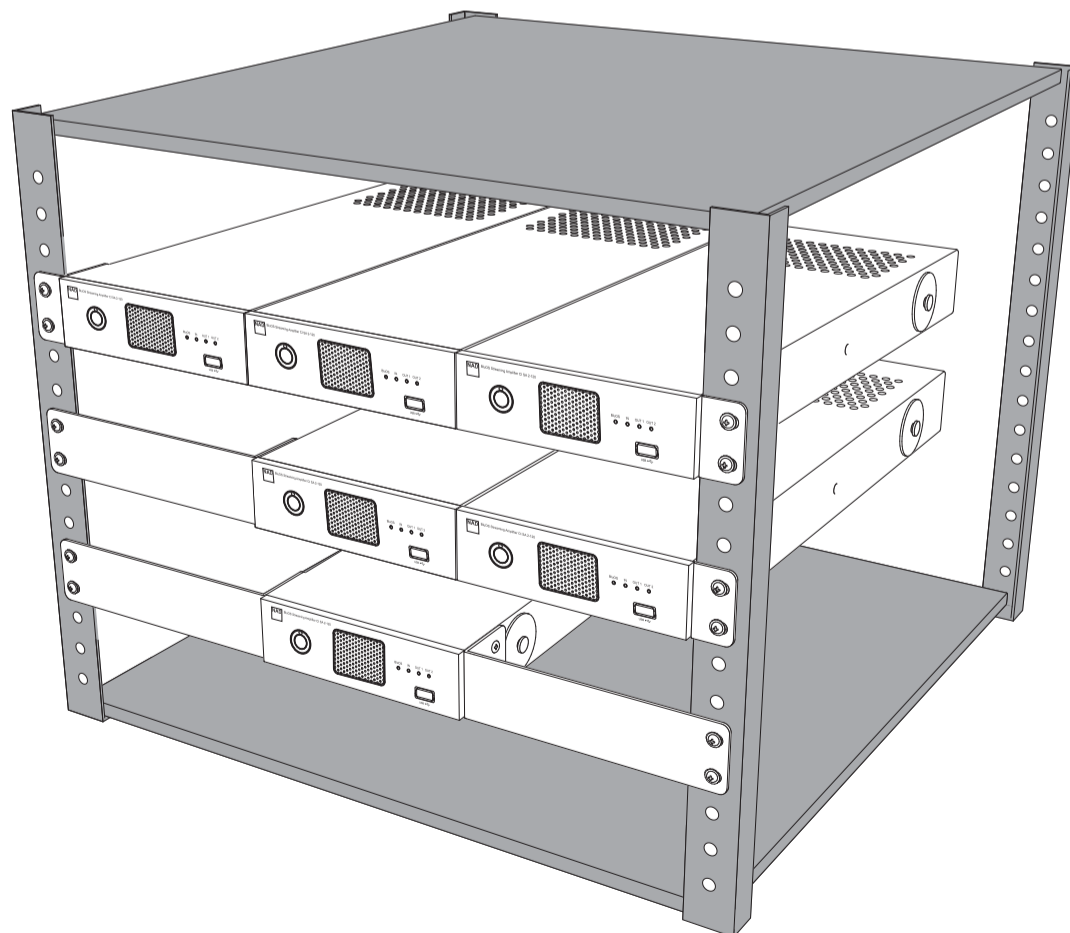
Connect



Disconnect



INSTALL MULTIPLE UNITS IN A RACK



DOWNLOAD



nadelectronics.com/product/CI-SA2-120-BluOS-streaming-amplifier



support.nadelectronics.com
bluesound.com/can/downloads

NETWORK SETUP

Connect your CI SA2-120 to your home network via **Wired** or **Wireless** connection.

A. WIRED CONNECTION

Using an Ethernet cable (not supplied), connect one end to CI SA2-120's LAN port and the other end directly to your home network or router.

B. WIRELESS CONNECTION

Connect CI SA2-120 to your wireless network using any of the following four methods.

- 1 Wireless Accessory Configuration (WAC) using iOS/iPadOS device
- 2 Using iOS/iPadOS device
- 3 Using Android device

Condition: CI SA2-120 must be at hot spot mode. CI SA2-120 default setting is at hot spot mode.

IMPORTANT!

- *The following procedures may change over time without notice. Always check the CI SA2-120 product page for the latest updates.*
- *The BluOS app for iOS and Android devices, as well as for Windows and macOS desktops, can be downloaded from their respective application stores and also from BluOS downloads at <https://bluos.io/downloads>.*

1 WIRELESS ACCESSORY CONFIGURATION (WAC) USING iOS/iPadOS DEVICE

Wireless Accessory Configuration (WAC) setup mode is supported by iOS/iPadOS application. At WAC setup mode, network name and password are not required for the CI SA2-120 to be connected to your network.

- a Select **Settings** menu of your iOS/iPadOS device.
- b Go to **Wi-Fi** and select the network you would like to use with your CI SA2-120.
- c Scroll down to **SETUP NEW AIRPLAY SPEAKER**. Select your CI SA2-120 player indicated by **CI SA2-120-xxxx** where **xxxx** corresponds to the last 4 digits of the MAC (Media Access Control) address* of your CI SA2-120.
- d When **AirPlay Setup** screen comes up, select **Next**. Note that you can also customize the name of your CI SA2-120 by entering desired name in the line item **Speaker Name**.
- e Airplay Setup will proceed automatically. Follow setup process until **Setup Complete** is shown. Select **Done** to exit setup mode.

2 USING iOS/iPadOS DEVICE

- a Open BluOS App. Select **Players** icon in the bottom portion of the App.
- b From upper right corner of the App, select **+** to launch Easy Setup Wizard.
- c From **My Players** screen prompt, select your CI SA2-120's unique network ID* under **Needs Setup**.
- d When **AirPlay Setup** screen comes up, select **Next**. Note that you can also customize the name of your CI SA2-120 by entering desired name in the line item **Speaker Name**.
- e Airplay Setup will proceed automatically. Follow setup process until **Setup Complete** is shown. Select **Done**.
- f CI SA2-120 will automatically enter **Looking for Upgrade** mode. If a firmware upgrade is available, it will be installed automatically. Once the upgrade is finished, select **Finish** to exit setup mode.

* The CI SA2-120's unique network ID is listed as the product name (i.e., CI SA2-120) immediately followed by the last four digits in the MAC (Media Access Control) address (example: CI SA2-120-ACF7).

3 USING ANDROID DEVICE

- a Open BluOS App. BluOS will look for Players. Available players will appear under **My Players** screen prompt.
 - i. If not prompted, select **Players** icon in the bottom portion of the App.
 - ii. From upper right corner of the App, select **+** to launch Easy Setup Wizard.
- b Select your CI SA2-120's unique network ID* from the **My Players** window.
 - i. Select your Home Wi-Fi Network from the **Choose WiFi Network** drop down menu.
 - ii. If your Home Wi-Fi Network does not appear or is hidden, select **Manual SSID Entry**.
 - iii. Enter **SSID** name.
 - iv. Select the Network Security your network uses under **Choose Security Method**.
- c Enter your home network's Wi-Fi **Password** in the field provided and select **Continue**.
- d Select or enter preferred **Name** to customize your CI SA2-120 for easier identification in the Player Drawer. Select **Continue**.
- e Network setup process proceeds automatically. As it advances, it will automatically enter **Looking for Upgrade** mode. If a firmware upgrade is available, it will be installed automatically.
- f Network setup process is completed when **Setup Complete** is shown in the App. Select **Finish** to exit the setup process.

