

Neptune™ Outdoor Articulating Wall Mount

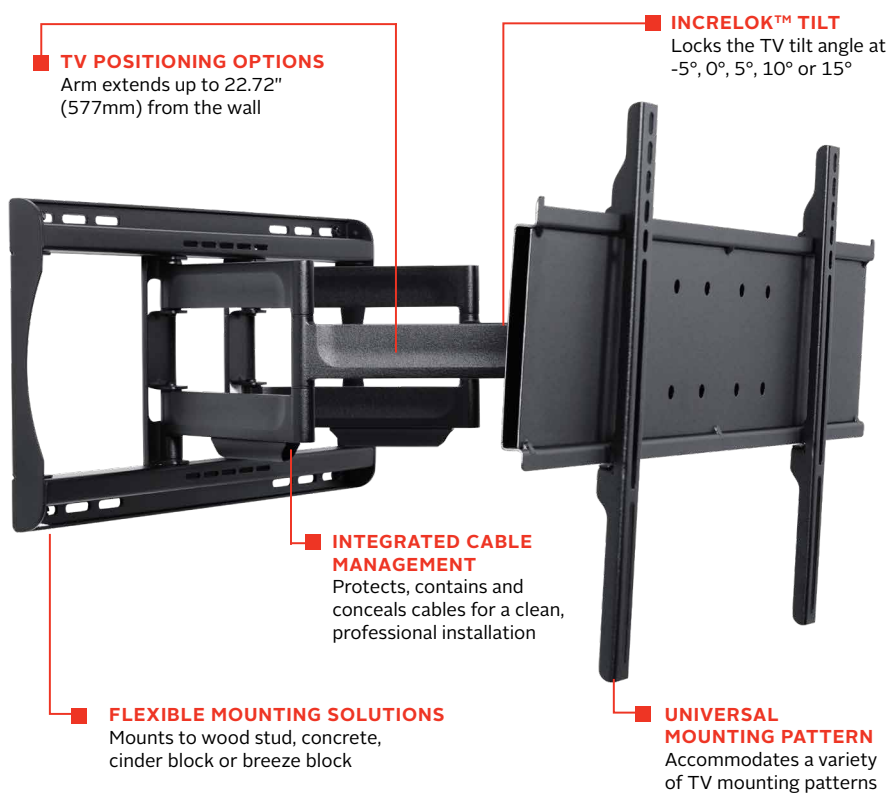
FOR 42" TO 75" TVs



| | | |
|---|--|---|
|  | <p>Mounting Pattern Up to 730 x 405mm (28.75" x 15.95")</p> | <p>Max Load 150lb (68kg)</p> |
|---|--|---|

The Neptune™ Outdoor Articulating Wall Mount is the ideal mounting solution for Neptune™ Shade Series Outdoor TVs. This all-season mount is specially coated with a protective anti-corrosive e-coating that repels against damaging temperature-related and outdoor corrosive elements. Extend your TV up to 22.72" (577mm) or fully-retract it to just 4.50" (114mm) from the wall for the perfect viewing position. The IncreLok™ tilt feature offers +15°/-5° vertical tilt movement to lock the TV at your ideal viewing angle. Integrated cable management protects, contains and conceals cables for a clean installation.

- Made of corrosion-resistant materials for weather resistance
- Fits TVs with mounting patterns up to 730 x 405mm (28.75"W x 15.95"H) and up to 600 x 400mm VESA® compliant
- Open wall plate design for increased wall access and improved aesthetic
- Includes all necessary wall and TV attachment hardware



Ideal for Neptune™ Shade Series Outdoor TVs



RoHS
2002/95/EC

Neptune™ Outdoor Articulating Wall Mount for 42" to 75" TVs

Product Specifications

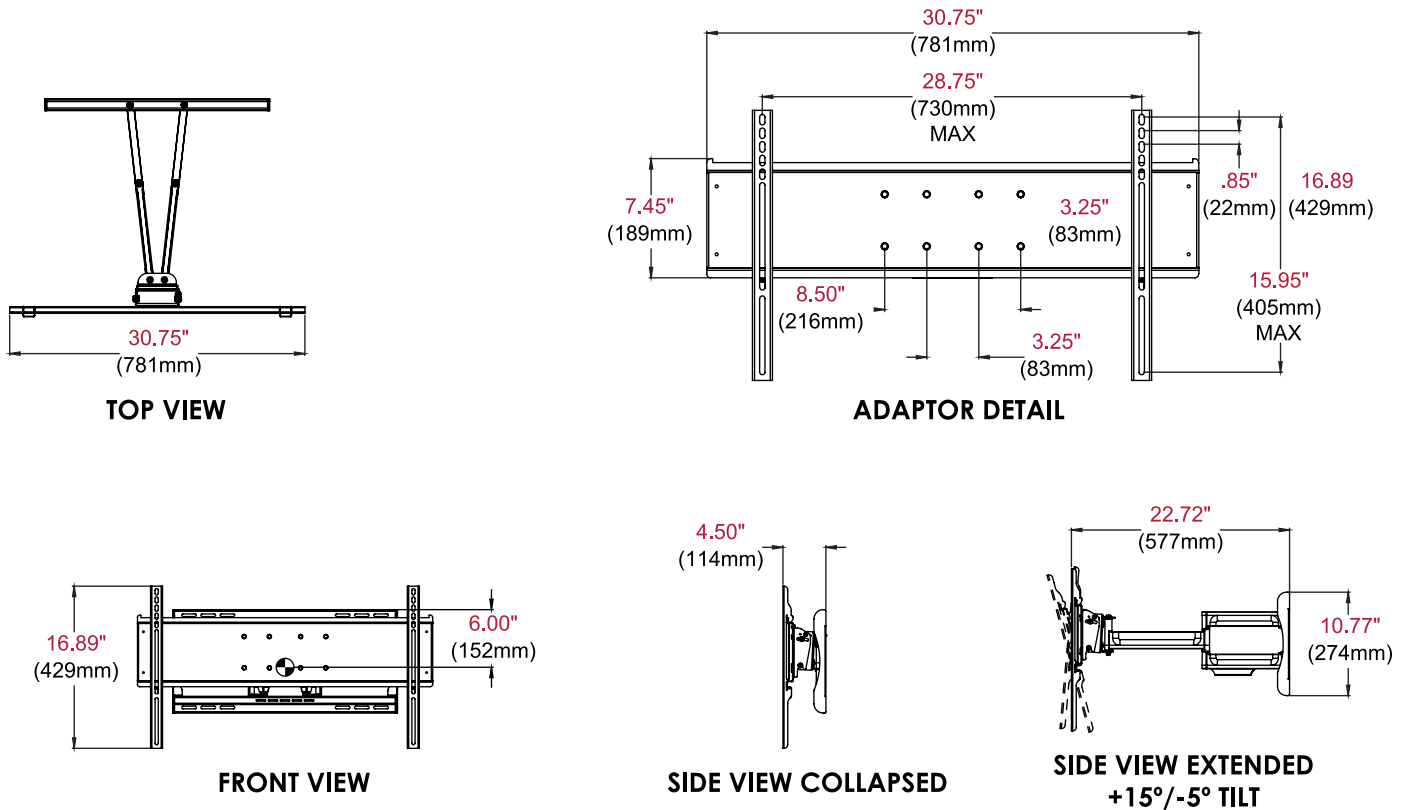
| DIMENSIONS (W x H x D) | PRODUCT WEIGHT | LOAD CAPACITY | FINISH | AVAILABLE COLORS |
|---|-----------------|---------------|--|------------------|
| 30.75" x 16.89" x 4.50"-22.72" (781 x 429 x 114-577mm) | 26.8lb (12.2kg) | 150lb (68kg) | E-Coat Covered with Outdoor Powder Paint | Black |

Package Specifications

| PACKAGE SIZE (W x H x D) | PACKAGE SHIP WEIGHT | PACKAGE UPC CODE | PACKAGE CONTENTS | UNITS IN PACKAGE |
|--|---------------------|------------------|-----------------------------|------------------|
| 33.00" x 4.25" x 12.00" (838 x 108 x 305mm) | 29.3lb (13.3kg) | 735029322290 | Mount and Mounting Hardware | 1 |

Compatible with 55" Neptune™ Shade Series Outdoor TV
65" Neptune™ Shade Series Outdoor TV
75" Neptune™ Shade Series Outdoor TV

All dimensions = inch (mm)



Visit peerless-av.com to see the complete line of AV solutions from Peerless-AV, including outdoor TVs, kiosks, display mounts, projector mounts, carts/stands, and a full assortment of accessories.

Peerless-AV
2300 White Oak Circle
Aurora, IL 60502 USA
(800) 865-2112
(630) 375-5100
Fax: (800) 359-6500

Peerless-AV Latin America
Av. de las Industrias 413
Parque Industrial Escobedo
General Escobedo, N.L.,
México, 66062
+52 (81) 8384-8300
Fax: +52 (81) 8384-8360

