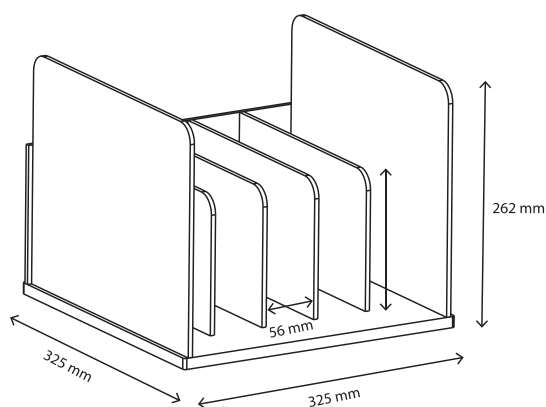


VINYL LP R



DIMENSIONS



DESCRIPTION

Made of bamboo and high density plexiglass, this beautiful storage unit will proudly take pride of place in your living room or listening room. 12 vinyls per compartment, 60 vinyls in total, organised in five compartments. When it is completely filled, the Vinyl LP R disappears to reveal only the beauty of the vinyls it contains. Its dimensions allow it to be integrated into a KALLAX cabinet and thus facilitate the filing of your vinyls within it.

DESIGN

Structure : Acrylic panel
Shelves : Bamboo

MAX LOAD

Shelf : 5 kg

DIMENSIONS

External dimensions (W x H x D) : 325 x 262 x 325 mm
Internal dimensions : 56 mm

MAX VINYLES QUANTITY



FINISH



PRODUCT CODES

SKU : NORVINBA
EAN : 3700795180891

PACKAGING

Delivered unassembled, plan required for assembly
Quantity/box : 1
Type : Brown box
Dimensions (W x H x D) : 380 x 50 x 370 mm
Gross weight : 3,1 kg
Net weight : 2,8 kg

ALSO AVAILABLE



VINYL LP C