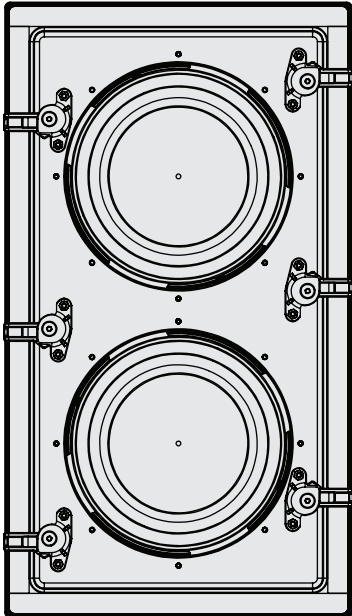
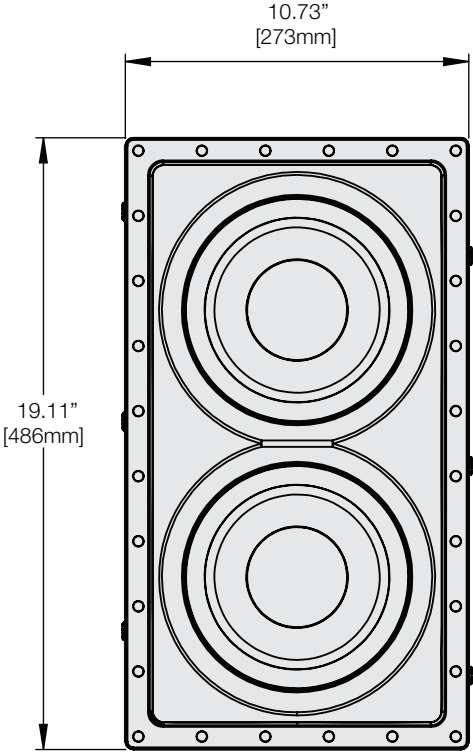


MINIMUM MOUNTING DEPTH

3.5" [90mm]



OVERALL DIMENSIONS: (H) 19.11" [486mm] x (W) 10.73" [273mm] x (D) 4.1" [103mm]

WEIGHT: 15lbs (6.8kg) each