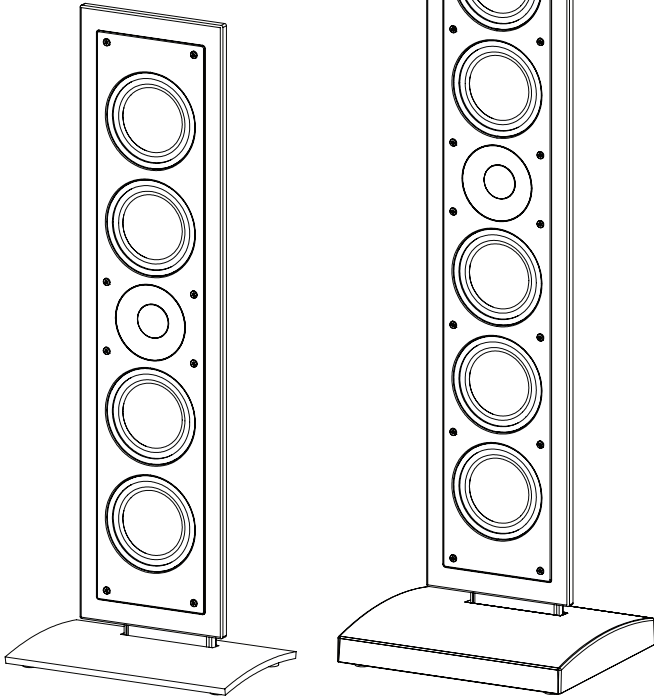


Paradigm[®]

REFERENCE COLLECTION



MILLENIA[™] LP 2
MILLENIA[™] LP XL

OWNERS MANUAL

IMPORTANT: ASSEMBLY INSTRUCTIONS FOR SPEAKER STANDS (INCLUDED WITH SPEAKERS) ARE FOUND IN THE BOX WITH THE STAND.

IMPORTANT: READ BEFORE WALL-MOUNTING YOUR SPEAKERS.



Wall mount your speakers securely enough that they cannot fall and cause personal injury or damage to property. Use safety straps where supplied. Detailed information on attaching the safety straps is included in the section on Installation later in the manual.



Paradigm DOES NOT supply hardware for mounting speakers to the wall. Hardware shown in this manual is for example only and will vary depending on the wall type. Always use screws appropriate for wall type and weight of speakers.



If installing into drywall, install into 1/2" (13 mm) or 5/8" (16 mm) drywall only. Screws must be long enough to go through anchor bolts (not supplied) and firmly into drywall (see inset circle, page 8).

NON LIABILITY: We are aware that the mounting assemblies provided for speakers in this manual could be used for purposes and in ways other than those for which they were intended. The manufacturer, distributor, retailer and their respective agents cannot be held responsible or liable for injuries or property damage—direct, indirect or consequential—arising from the use of or inability to use these products safely and properly. Every effort has been made to provide accurate, error-free installation instructions. Paradigm Electronics Inc. disclaims liability for difficulties that may arise from the misinterpretation of information contained in these instructions.



RECYCLING AND REUSE GUIDELINES (Europe)

In accordance with the European Union WEEE (Waste Electrical and Electronic Equipment) directive effective August 13, 2005, we would like to notify you that our speakers may contain regulated materials which, upon disposal, require special reuse and recycling processing. For this reason Paradigm Electronics Inc. (the manufacturer of Paradigm speakers and Anthem electronics products) has arranged with its distributors in European Union member nations to collect and recycle this product at no cost to you. To find your local distributor please contact the dealer from whom you purchased this product or go to our website at www.paradigm.com.

Please note that only the product falls under the WEEE directive. When disposing of packaging and other shipping material we encourage you to recycle through the normal channels.

TABLE OF CONTENTS

Introduction	1	Placement	5
The Technology		Wall-Mounting	7
Behind Your New Speakers	2	Connection	9
Your New Speakers	3	Troubleshooting	9
How To Avoid Speaker Damage	3	Technical Specifications	10
Your Listening Room	4	Limited Warranty	12

INTRODUCTION

Thank you for choosing speakers from Paradigm’s Reference Collection and congratulations! You are about to hear the difference these state-of-the-art high-end speakers will make in your music and home theater system.

Your speakers were designed and engineered in our Toronto, Canada facility. They are internationally recognized for their exceptional state-of-the-art sound. In fact, **Paradigm is the only speaker brand in the world to be rated #1* year after year.**

Extensive listener preference tests conducted by the National Research Council (NRC) give our design engineers a firm understanding of how we hear speakers and clearly establish which design parameters are most critical to good sound. Using the NRC findings along with measurement-based analysis done in the anechoic chamber at our Toronto facility and listening tests carried out in our controlled double-blind listening rooms, Paradigm engineers work to constantly improve our speakers in three critical areas:

- Flat Midrange:** Smooth and even with coloration reduced to the lowest level possible.
- Smooth Total Energy Response:** On and off axis, sound must be fundamentally similar. Dispersion must be wide and uniform ensuring superior imaging and a wide listening area.
- Low Distortion:** Lowest levels possible.

In addition, Paradigm concentrates on two other significant performance areas:

- Better Bass Response:** Tight, extended and well defined.
- Higher Power Handling:** to improve dynamic contrasts and sonic realism, power compression must be minimized.

Unyielding attention to all of these areas results in state-of-the-art speakers that are measurably and audibly superior. Comprehensive R&D, leading-edge design, use of the finest materials and sophisticated manufacturing and quality control provide vastly superior performance for each component part at every stage of design. Quite simply, **we build better sound** and we have the product awards to prove it.

Your new speakers will provide you with stunning reference quality sound and unparalleled listening pleasure for many years. Their ultra-thin profile was designed to complement the thinnest flat-panel television on the market today as well as the ‘even thinner’ flat panels yet to come.

To achieve all of the exceptional sound they are capable of providing requires care in installation and operation. Please take the time to read this manual and follow all instructions. If you have further questions, contact your Authorized Paradigm Reference Dealer or visit the Q&A page in the Tech Support section of our website at paradigm.com.

* Rated #1 Best Price/Value. *Inside Track* Annual Dealer Survey. An annual independent nationwide survey of consumer electronics specialist retailers and custom installers.

THE TECHNOLOGY BEHIND YOUR NEW SPEAKERS

High-Frequency Drive Units

- S-PAL™ Satin-Anodized Pure-Aluminum Dome
- Rigid Mineral-Filled ABS Chassis
- Protective, Perforated Aluminum Mesh Screen Guard with Wide Dispersion Architecture and Integrated Phase Ring
- High-Power Apical™ Former
- Advanced Motor Structure with Extruded Aluminum Heatsink



Bass/Midrange Drive Units

- High-Performance Anodized Unibody Bass/Midrange Cone
- Performance-Optimized Nitrile-Butadiene Rubber Surround
- Nomex™ Spider
- High-Power Apical™ Former
- High-Performance Motor Assembly includes 1-1/2" High-Temperature Aluminum Voice Coil and Powerful Neodymium Magnet
- Steel Heafin Basket

Passive Radiators

- High-Performance Anodized Unibody Bass/Midrange Cone
- Performance-Optimized Nitrile-Butadiene Rubber Surround
- Precision-Tuned Resonance System



YOUR NEW SPEAKERS

Break-In

Although your speakers will sound great 'out of the carton', they will sound even better once they are 'broken in.' Allow them to play for several hours before you begin to listen critically.

Drivers use ferro-fluid that can thicken at temperatures below 10° C (50° F). Surround material used in the bass/midrange units is made of a compound that may stiffen in colder temperatures. If your speakers have been transported or stored in the cold, let them warm to room temperature before use.

Cleaning

Your speakers have a premium finish that must be treated with care. Use only a damp, soft cloth to clean. Never use strong, abrasive or corrosive cleaning products. Common household cleaning products should be avoided.

Speaker Grilles

Your speakers are meant to be played with their grilles on.

HOW TO AVOID SPEAKER DAMAGE

Your speakers are efficient and can be driven to loud listening levels with moderate amplifier power. They are also able to handle the output of very powerful amplifiers. To prevent damage to your speakers, please read the following guidelines before hooking them up.

Amplifier Distortion — The #1 Culprit!

Amplifier distortion is the principal cause of speaker damage. When listening at loud levels your amplifier may run out of clean power. It will then begin to produce distorted power several times greater than its rated output power. This will damage any brand of speaker very quickly! (*See Dealer for amplifier recommendations.*)

More Powerful Amplifiers are Safer

A 40 watt/channel amplifier will have substantial distortion above 40 watts. If driven to 50 watts, this amplifier will deliver distorted power which will damage the speaker! A 100 watt/channel amplifier will have substantial distortion above 100 watts, but very low distortion below 100 watts. Therefore, when the speaker requires 50 watts, this more powerful amplifier will deliver clean power and speaker damage is less likely to occur.

Volume Control

Do not be fooled by the Volume Control of your receiver/preamplifier. It only adjusts listening level—it is not a "power-output" dial. The amount of amplifier power actually used at a given Volume Control setting depends solely on the nature of the music you are listening to.

At a given Volume Control setting a quiet section of music will use less amplifier power than a loud section. With typical pop-rock, jazz or large scale classical music, the rated output power of many receivers/amplifiers is often reached when the Volume Control is between the '11 and 1 o'clock' settings (with bass/treble and loudness controls not used—otherwise rated power may be reached at even lower Volume Control settings).

Remember, all amplifiers produce distortion when operated beyond their rated output power. The resulting distortion will damage all speakers! Exercise caution! If you listen at loud levels, be careful to listen for the point of audible distortion—if the speakers begin to sound distressed turn the Volume Control down or your speakers and/or amplifier(s) will be damaged! **This type of damage constitutes abuse and is not covered by the warranty.** If louder volumes are desired, obtain a more powerful amplifier.

HOW TO AVOID SPEAKER DAMAGE *(continued)*

There is a Limit!

Although more powerful amplifiers are safer, there is a point at which you could have more power than the speaker can handle. At that point you will overpower the speaker and damage it. Exercise caution! At loud levels do not increase bass/treble controls from zero and ensure that all loudness/contour/bass EQ buttons are off (otherwise rated output power will be reached at lower Volume Control settings). If you listen at loud levels, watch for excessive visible cone excursion (grille movement) from the woofer—then turn the Volume Control down.

The Right Amount of Power

A power-range rating is given as a guide to indicate the approximate minimum and maximum power input of your speakers. Amplifiers that exceed your speaker's power-range rating are recommended. Their greater power reserves provide better sound. However, exercise caution! Use the speakers within their power-range rating to prevent damage (keep listening levels below the point of excessive woofer cone excursion).

YOUR LISTENING ROOM

Your speakers are designed to provide state-of-the-art sound in a wide variety of domestic settings. Note however, that room construction, dimensions, even furnishings all play a part in the quality of sound you ultimately achieve. Your listening room will impose its own character on the performance capabilities of any speaker system. The extra care taken in installation will result in greater listening enjoyment. Try to follow these guidelines:

- Mid and high frequencies are affected by the amount of soft furnishings in your room—curtains, carpets, sofas, wall coverings, etc. An excess of such items can result in a somewhat dull sound. The same room without any soft furnishings can produce an overall bright sound. The typical quantity of soft furnishings found in most living environments provides the right acoustic characteristics to allow the speakers to sound balanced;
- Concrete floors and walls tend to aggravate low-frequency standing wave problems and are less preferred;
- Rooms where height, width and length are similar should be avoided as they can exhibit significant low-frequency standing wave problems. This may result in reduced clarity. If no other room is possible, experiment with speaker placement to minimize problems.

PLACEMENT

The following placement guidelines will help you get the best performance from your speakers. Illustrations showing you how to attach the speakers to the wall are provided in the section following.

FRONT LEFT AND RIGHT SPEAKERS

Accurate Timbre (Fig. 1)

For the most accurate and natural timbre, position speakers so that sound from the high-frequency drivers reaches the listener at approximately ear level. Keep in mind, your speakers will allow for higher than usual placement of the high-frequency drivers, a particularly important feature when wall mounting. Mounting them farther apart on the wall than the width of your flat panel will promote a wide, deep listening window.

Balanced Bass Performance *(not shown)*

Placing front speakers in corners will over-emphasize bass and reduce overall clarity. For more balanced sound, we recommend avoiding corners when considering speaker placement.

Optimal Imaging (Fig. 2)

Keeping the above in mind, measure the distance from your main listening area to the front speakers ("X"). For best imaging, mount speakers on the wall from three-quarters of that distance up to the same distance from each other ($\frac{3}{4}$ of "X" to "X").

.....

CENTER SPEAKER (Fig. 3)

Mount your center speaker horizontally, directly above or below your TV, whichever position brings sound closer to ear level. This ensures the most uniform timbral response with the rest of your system. Some receivers electronically adjust for differences in distance between speakers ... check to see if yours does.

.....

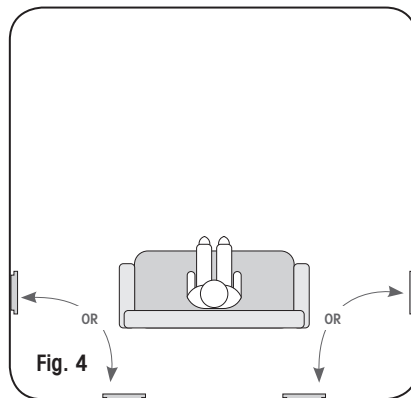
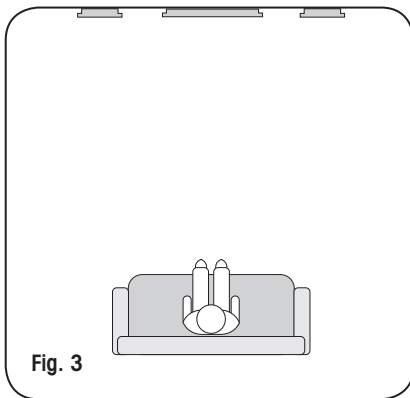
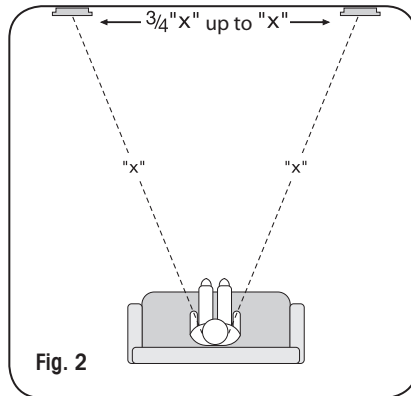
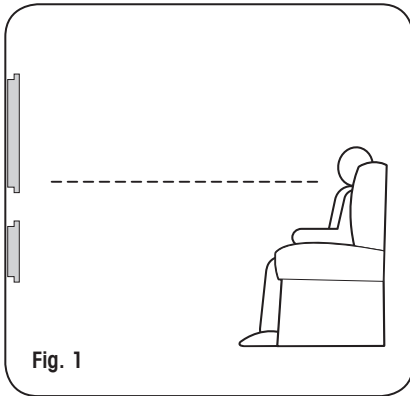
SURROUND/REAR SPEAKERS (Fig. 4)

To experience the full multichannel music and home theater experience, Paradigm always recommends the use of surround/rear speakers. When used a surround/rear configuration, for optimal performance keep speakers well away from the listening area (*see illustration on the next page*).

ADDITIONAL OPTIONS FOR SURROUND/REAR SPEAKERS

There are additional custom surround/rear speaker options in Paradigm's Reference Collection of custom speakers. Please see your dealer or visit our website paradigm.com for more information.

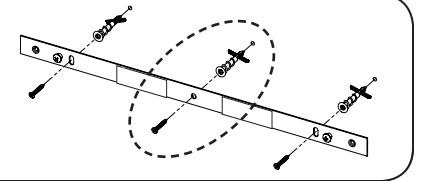
PLACEMENT *(continued)*



WALL-MOUNTING

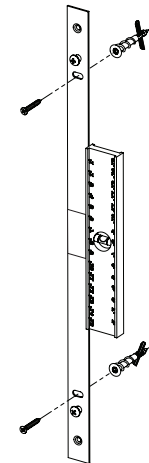
If you are not comfortable performing the following installation procedure, have a professional perform the installation (see your dealer about hiring a professional).

IMPORTANT! Installation instructions are for ALL MODELS. If you own the Millenia LP XL there will be an additional screw and hole (see diagram at right).



MOUNTING LEFT/RIGHT SPEAKERS

Position bracket vertically on wall as shown, then follow the steps for horizontal installation that follow as a guide to installing your L/R speakers.

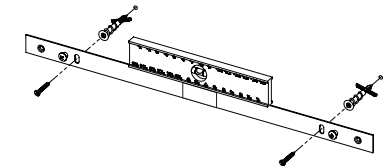


Wall screws not supplied

Step 1

MOUNTING CENTER SPEAKER

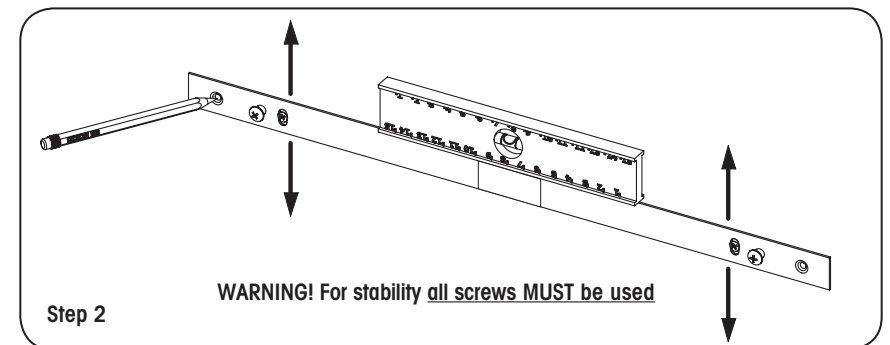
NOTE: This step is for positioning only. Screws will be removed in next step to allow installation of additional anchor bolts (not supplied).



Wall screws not supplied

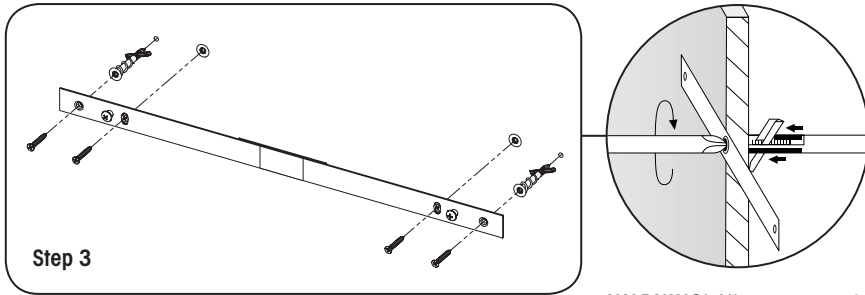
Step 1

Position bracket and ensure it is level. Mark the two center screw holes. Drill pilot holes, then press anchor bolts firmly into drywall and screw in. Follow with flathead screws: DO NOT SCREW ALL THE WAY IN AT THIS POINT—leave screw heads protruding slightly.



Bracket is slotted (see illustration), to allow further adjustment if necessary. Re-check to ensure bracket is level. Mark outer screw holes.

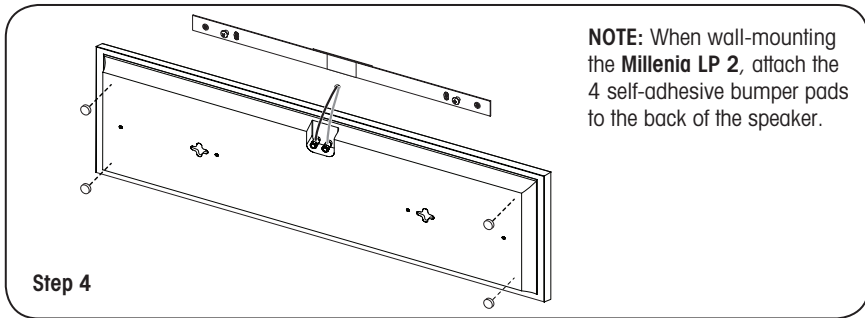
WALL-MOUNTING *(continued)*



Step 3

Remove the two flathead screws (*not shown*). Drill inner pilot holes then press anchor bolts firmly into drywall and screw in. Now insert all four flathead screws and tighten.

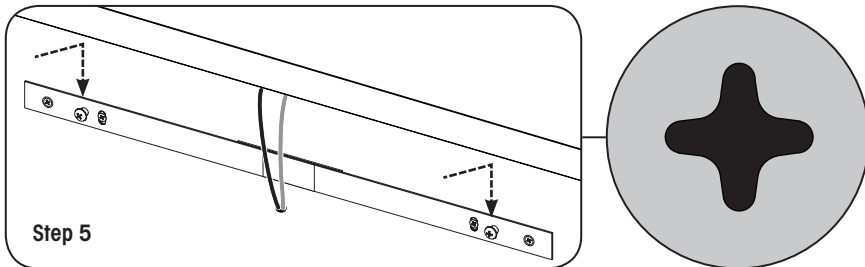
WARNING! All screws must be inserted straight and fully tightened to ensure correct operation of anchor bolts.



Step 4

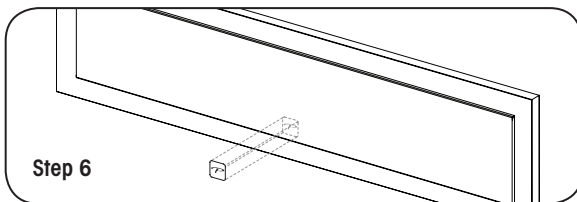
NOTE: When wall-mounting the **Millenia LP 2**, attach the 4 self-adhesive bumper pads to the back of the speaker.

Pull cables through or along wall and connect following the instructions on the next page.



Step 5

Align keyhole slots (*see inset*) on rear of speaker with protruding screw heads on the bracket, then using an "in and down" motion mount speaker on bracket.



Step 6

The grille logo is magnetic and can be applied in a horizontal or vertical configuration.

CONNECTION

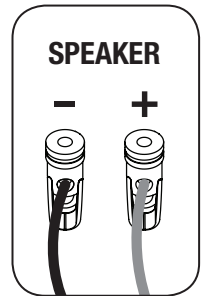


Turn your amplifier OFF before connecting speakers. This will avoid damage which could result from accidental shorting of speaker cables.

The following chart identifies the minimum gauge requirements for various cable lengths:

MINIMUM GAUGE REQUIREMENTS		
LENGTH	DIAMETER	GAUGE
Under 4.5 m (15 ft)	1.3 mm (0.05 in)	16 awg
Under 9 m (30 ft)	1.6 mm (0.06 in)	14 awg
Over 9 m (30 ft)	2.0 mm (0.08 in)	12 awg

Your speakers are equipped with binding posts that can be used with pin connectors or bare wire. Refer to the diagram at right and using high-quality speaker cable (*see your dealer*), connect one speaker at a time to your receiver/amplifier. Connect the red (+) amplifier terminal to the red (+) speaker terminal and the black (-) to the black (-) (*see below*). Push binding posts to secure.



Turn your amplifier on and listen to your speakers. If you notice a complete lack of mid-bass and a dislocated image, one or more of your speakers may be connected out-of-phase (their polarity is reversed). Re-check to ensure that each speaker's cable is connected with correct polarity: red (+) to red (+) and black (-) to black (-). Make sure wires are firmly fastened. Push binding posts to secure.

TROUBLESHOOTING

PROBLEM	SOLUTION
No Sound	<ul style="list-style-type: none"> • Make sure receiver, preamp or amplifier is plugged in and turned on. • Check power outlet at the wall is working. • Are headphones plugged in, or is the system on Mute? • Re-check all connections.
No Sound from One or More Speakers	<ul style="list-style-type: none"> • Check your balance control. • Check that all power cords are properly plugged in and functioning.
Lack of Bass or Dislocated Image	<ul style="list-style-type: none"> • One or more speakers may be connected out of phase (their polarity is reversed). • Re-check to ensure that each speaker's cable is connected with correct polarity: red (+) to red (+) and black (-) to black (-).

TECHNICAL SPECIFICATIONS

	MILLENNIA™ LP 2
Design	5-driver, 2-way bass-reflex includes powered drives and passive radiators in an ultra-thin high-gloss enclosure
Crossover	2nd-order electro-acoustic at 2.6 kHz
High-Frequency Driver	One 25-mm (1 in) S-PAL™ dome, ferro-fluid damped/cooled
Bass/Midrange Drivers	Two 114-mm (4-1/2 in) anodized unibody cones, 37-mm (1-1/2 in) high-temperature aluminum voice coils, Nomex® spider, Nitrile-Butadiene rubber surround, neodymium magnet, integrated moving magnet/motor heat dissipation system, tempered steel heatfin basket
Passive Radiators	Two 114-mm (4-1/2 in) anodized unibody cones, nitrile-butadiene rubber surround, precision-tuned resonance system
Low-Frequency Extension*:	75 Hz (DIN)
Frequency Response: <i>On-Axis</i> <i>30° Off-Axis</i>	±3 dB from 120 Hz – 21 kHz ±3 dB from 120 Hz – 15 kHz
Sensitivity – Room/Anechoic	92 dB / 89 dB
Suitable Amplifier Power Range	15 – 130 watts
Maximum Input Power†	70 watts
Impedance	Compatible with 8 ohms
Dimensions (<i>h x w x d</i>)	64.0 cm x 16.5 cm x 4.4 cm / 25-1/5 in x 6-1/2 in x 1-3/4 in
Weight (<i>unpacked</i>)	3.0 kg / 6.5 lb each
Finish	Black Gloss / Brushed Aluminum

* DIN 45 500. Indicates -3 dB in a typical listening room. † With typical program source provided the amplifier clips no more than 10% of the time.

	MILLENNIA™ LP XL
Design	7-driver, 2-way bass-reflex includes powered drivers and passive radiators in an ultra-thin high-gloss enclosure
Crossover	2nd-order electro-acoustic at 2.6 kHz
High-Frequency Driver	One 25-mm (1 in) S-PAL™ dome, ferro-fluid damped/cooled
Bass/Midrange Drivers	Two 114-mm (4-1/2 in) anodized unibody cones, 37-mm (1-1/2 in) high-temperature aluminum voice coils, Nomex® spider, Nitrile-Butadiene rubber surround, neodymium magnet, integrated moving magnet/motor heat dissipation system, tempered steel heatfin basket
Passive Radiators	Four 114-mm (4-1/2 in) anodized unibody cones, nitrile-butadiene rubber surround, precision-tuned resonance system
Low-Frequency Extension*:	60 Hz (DIN)
Frequency Response: <i>On-Axis</i> <i>30° Off-Axis</i>	±3 dB from 120 Hz – 21 kHz ±3 dB from 120 Hz – 15 kHz
Sensitivity – Room/Anechoic	92 dB / 89 dB
Suitable Amplifier Power Range	15 – 130 watts
Maximum Input Power†	70 watts
Impedance	Compatible with 8 ohms
Dimensions (<i>h x w x d</i>)	86.0 cm x 16.5 cm x 4.4 cm / 33-3/4 in x 6-3/4 in x 1-3/4 in
Weight (<i>unpacked</i>)	4.1 kg / 9 lb each
Finish	Black Gloss / Brushed Aluminum

* DIN 45 500. Indicates -3 dB in a typical listening room. † With typical program source provided the amplifier clips no more than 10% of the time.

LIMITED WARRANTY

Your new speakers are warranted to be and remain free of manufacturing and/or material defects for a period of **five (5)** years from the date of original purchase. Within the time period specified, repair, replacement or adjustment of parts for manufacturing and/or material defects will be free of charge to the original owner.

Thermal or mechanical abuse/misuse is not covered under warranty.

Limitations:

- Warranty begins on date of original retail purchase from an Authorized Paradigm® Reference Dealer only. It is not transferable;
- Warranty applies to product in normal home use only. If product is subjected to any of the conditions outlined in the next section, warranty is void;
- Warranty does not apply if the product is used in professional or commercial applications.

Warranty is Void if:

- The product has been abused (intentionally or accidentally);
- The product has been used in conjunction with unsuitable or faulty equipment;
- The product has been subjected to damaging signals, derangement in transport, mechanical damage or any abnormal conditions;
- The product (including cabinet) has been tampered with or damaged by an unauthorized service facility;
- The serial number has been removed or defaced.

Owner Responsibilities:

- Provide normal/reasonable operating care and maintenance;
- Provide or pay for transportation charges for product to service facility;
- Provide proof of purchase (your sales receipt given at time of purchase from your Authorized Paradigm® Reference Dealer must be retained for proof-of-purchase date).

Should servicing be required, contact your nearest Authorized Paradigm® Reference Dealer, Paradigm Electronics Inc. or Import Distributor (outside the U.S. and Canada) to arrange, bring in or ship prepaid, any defective unit. Visit our website, www.paradigm.com for more information.

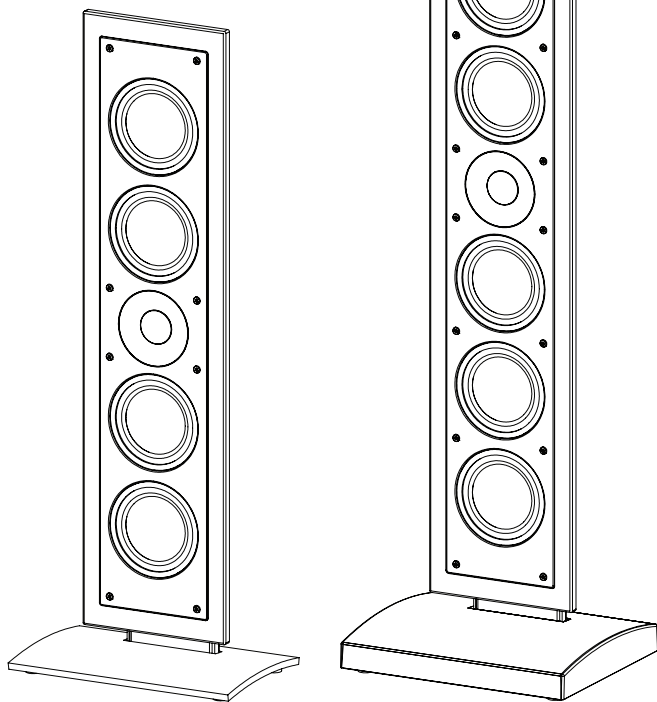
Paradigm Electronics Inc. reserves the right to improve the design of any product without assuming any obligation to modify any product previously manufactured.

This warranty is in lieu of all other warranties expressed or implied, of merchantability, fitness for any particular purpose and may not be extended or enlarged by anyone. In no event shall Paradigm Electronics Inc., their agents or representatives be responsible for any incidental or consequential damages. Some jurisdictions do not allow limitation of incidental or consequential damages, so this exclusion may not apply to you.

Retain this manual and your sales receipt for proof of warranty term and proof of purchase.

Paradigm^{MD}

REFERENCE COLLECTION



MILLENNIA^{MC} LP 2
MILLENNIA^{MC} LP XL

MODE D'EMPLOI

IMPORTANT : LES INSTRUCTIONS DE MONTAGE POUR LES SUPPORTS D'ENCEINTE SE TROUVENT DANS LA BOÎTE AVEC LE SUPPORT.

IMPORTANT : VEUILLEZ LIRE CETTE SECTION AVANT DE MONTER LES ENCEINTES SUR UN MUR.



Fixez les enceintes de façon sécuritaire pour ne pas qu'elles tombent et causent des blessures ou des dommages. Utilisez les sangles de sécurité lorsqu'elles sont fournies. Lorsque vous les installation vous devez utiliser des courroies de sécurité dans le manuel.



Paradigm NE FOURNIT PAS le matériel pour monter les enceintes sur un mur. Le matériel de montage illustré l'est à titre d'exemple uniquement; le matériel variera en fonction du type de mur.



Effectuez l'installation dans une cloison sèche de 1/2 po (13 mm) ou de 5/8 po (16 mm) uniquement. Les vis doivent être assez longues pour traverser les boulons d'ancrage (*non compris*) et bien se fixer dans la cloison sèche (*voir le médaillon, page 8*).

NON-RESPONSABILITÉ : Nous savons que les assemblages de montage fournis avec les enceintes dans ce manuel peuvent être utilisés à des fins et de façons autres que celles pour lesquelles elles sont conçues. Le fabricant, le distributeur, le revendeur et leurs agents respectifs ne peuvent être tenus responsables de blessures ou dommages directs, indirects ou consécutifs découlant de l'utilisation de ces pièces ou de l'incapacité de les utiliser de façon sûre et convenable. Tous les efforts ont été déployés afin de fournir des instructions d'installation exactes et exemptes d'erreurs. Paradigm Electronics Inc. décline toute responsabilité concernant des difficultés pouvant découler d'une interprétation incorrecte des renseignements fournis dans le présent manuel.

CE DIRECTIVES EUROPEENNES SUR LE RECYCLAGE ET LE TRAITEMENT DES DECHETS

Dans le respect de la directive WEEE (Waste Electrical & Electronic Equipment) mise en place par les institutions Européennes à compter du 13 Août 2005, nous souhaitons vous informer que nos enceintes peut contenir des matières devant faire l'objet d'une procédure de recyclage ou de traitement approprié des déchets. Dans cette optique, Paradigm Electronics Inc (fabricant des enceintes Paradigm et des électroniques Anthem) avec ses Distributeurs agréés dans l'Union Européenne, ont mis en place une procédure de collecte et de retraitement gratuite. Pour en savoir davantage sur cette procédure veuillez contacter votre revendeur, ou notre Distributeur dans votre pays (vous en obtiendrez les coordonnées sur simple demande ou en consultant notre site internet www.paradigm.com).



Notez que seul le produit fini est concerné par cette directive et ses obligations. S'agissant de son emballage et de ses accessoires de transport nous vous recommandons de les recycler selon les procédures mises en place par votre commune ou votre département.

TABLE DES MATIÈRES

Introduction	1	Positionnement	5
La technologie derrière vos nouvelles enceintes	2	Installation au mur	7
Vos nouvelles enceintes	3	Raccordement	9
Pour éviter d'endommager les enceintes	3	Dépannage	9
Acoustique de la pièce	4	Spécifications techniques	10
		Garantie limitée	12

INTRODUCTION

Félicitations! Nous vous remercions d'avoir choisi ces enceintes Reference Collection de Paradigm. Vous entendrez la différence que confèrent ces enceintes de pointe haut de gamme à votre système audio ou de cinéma maison.

Vos enceintes ont été conçues et mises au point dans nos installations de Toronto, au Canada. Elles sont mondialement reconnues pour leur son exceptionnel. En fait, **Paradigm est le seul fabricant d'enceintes au monde à se classer au 1er rang année après année.**

Des tests d'écoute exhaustifs menés par le Conseil national de recherche (CNR) permettent à nos ingénieurs de conception de bien comprendre la façon dont nous entendons les enceintes et établissent clairement les paramètres de conception les plus importants pour obtenir un bon son. En utilisant les conclusions du CNR, des analyses de mesure effectuées dans la chambre anéchoïque de nos installations de Toronto, ainsi des essais menés dans des salles d'écoute en double aveugle contrôlées, les ingénieurs de Paradigm travaillent sans relâche pour améliorer nos enceintes dans trois domaines de la plus haute importance :

Fréquences moyennes planes : douces et uniformes avec une coloration réduite au niveau le plus bas possible.

Réponse d'énergie totale en douceur : dans l'axe et hors de celui-ci, le son doit être fondamentalement semblable. La dispersion doit être large et uniforme, ce qui assure une image supérieure et une aire d'écoute plus large.

Faible distorsion : les niveaux les plus bas possible.

En plus, nous nous concentrons sur deux autres domaines de rendement très importants :

Meilleure réponse des graves : serrées, larges et bien définies.

Meilleur traitement de la puissance : pour améliorer les contrastes dynamiques et par extension, le réalisme sonore, la compression de la puissance doit être minimisée.

Puissance admissible plus élevée : pour améliorer les contrastes dynamiques et le réalisme sonore, la compression de la puissance doit être minimisée.

L'attention soutenue accordée à ces domaines nous permet de créer des enceintes à la fine pointe de la technologie, de façon mesurable et audible. La recherche et le développement exhaustifs, la conception haut de gamme, l'utilisation des meilleurs matériaux, et les techniques de pointe en matière de fabrication et de contrôle de la qualité fournissent un rendement largement supérieur pour chaque composante à toutes les étapes de la conception.

Plus simplement, nous fabriquons un meilleur son et nous avons des centaines de récompenses pour le prouver.

Vos enceintes vous offriront un son étonnant et une qualité d'écoute sans égal pendant de nombreuses années. Leur profil ultramince a été conçu pour compléter les meilleurs des télévisions à écran plat les plus minces actuellement offertes sur le marché, ainsi que les écrans « encore plus minces » à venir. L'installation est aussi facile que de décider où vous voulez monter les enceintes sur le mur.

Pour profiter pleinement de l'excellence sonore de ces enceintes, il importe d'apporter un soin particulier à leur installation et à leur utilisation. Veuillez prendre le temps de lire ce manuel et suivez toutes les instructions. Pour toute autre question, communiquez avec votre revendeur Paradigm autorisé ou consultez la page Questions et Réponses à la section du soutien technique de notre site Internet au paradigm.com.

* Classé no 1 pour le rapport qualité/prix. *Inside Track Annual Dealer Survey*. Sondage annuel indépendant à l'échelle nationale mené auprès des revendeurs spécialisés en électronique et des installateurs sur mesure.

LA TECHNOLOGIE DERRIÈRE VOS NOUVELLES ENCEINTES

Haut-parleurs de haute fréquence

- Dômes S-PAL^{MC} en pur aluminium anodisés au satin
- Châssis ABS rigide rempli de matière minérale
- Écran protecteur perforé en mailles d'aluminium avec architecture à dispersion large et résonateur de phase intégré
- Formeur Apical^{MC} haute puissance
- Structure de moteur avancée avec puits de chaleur extrudé



Haut-parleurs de graves/fréquence moyenne

- Cône de graves/fréquence moyenne monoconique anodisé haute performance
- Ambiophonique en caoutchouc nitrile-butadiène optimisé pour la performance
- Croisillons en Nomex^{MC}
- Formeur Apical^{MC} haute puissance
- Ensemble de moteur haute performance comprenant une bobine acoustique en aluminium haute température de 1-1/2 po et un aimant au néodyme puissant
- Panier en acier avec ailette de dissipation thermique



Radiateurs passifs

- Cône de graves/fréquence moyenne monoconique anodisé haute performance^{MC}
- Ambiophonique en caoutchouc nitrile-butadiène optimisé pour la performance
- Système de résonance de précision



VOS NOUVELLES ENCEINTES

Rodage

Bien que vos enceintes offrent un son excellent « en sortant de la boîte », le son sera encore meilleur après une période de rodage. Laissez-le fonctionner pendant plusieurs heures avant toute écoute critique.

Les haut-parleurs des hautes et moyennes fréquences contiennent un ferrofluide dont la viscosité augmente à des températures inférieures à 10° C (50° F). Le matériel ambiophonique utilisé dans les appareils à basse/ moyenne fréquence est fait d'un composé qui peut épaissir à des températures plus froides. Si les enceintes ont été transportées ou entreposées au froid, les laisser réchauffer à la température de la pièce avant de les utiliser.

Nettoyage

Vos enceintes possèdent un fini de première qualité qui doit être traité avec soin. Utiliser uniquement un linge humide et doux pour les nettoyer. Ne jamais utiliser de produits nettoyants puissants, abrasifs ou corrosifs. Éviter également les produits d'entretien ménager courants.

Grille des enceintes

Vos enceintes sont conçues pour être utilisées avec la grille en place.

POUR ÉVITER D'ENDOMMAGER LES ENCEINTES

Vos enceintes sont efficaces et peuvent produire des volumes élevés à des puissances de sortie modérées de l'amplificateur. Elles peuvent également être jumelées à des amplificateurs de haute puissance. Pour éviter d'endommager les enceintes, lire les directives suivantes avant de procéder à leur raccordement.

Distorsion de l'amplificateur – Le principal fautif!

La distorsion de la puissance provenant de l'amplificateur est la principale cause de dommages aux enceintes. À volumes élevés, il peut arriver que la puissance de l'amplificateur soit tout simplement insuffisante. L'amplificateur produira alors un signal distordu dont la puissance est de plusieurs fois supérieure à la puissance nominale. Cette puissance excessive endommagera très rapidement toute enceinte, peu importe la marque! (Consulter le revendeur pour des recommandations en matière d'amplificateurs.)

Les amplificateurs plus puissants sont plus sûrs

Un amplificateur de 40 W/canal produira une importante distorsion à des puissances supérieures à 40 W. Si la puissance sollicitée est de 50 W, il produira un signal distordu qui endommagera l'enceinte! Un amplificateur de 100 W/canal présentera une importante distorsion à plus de 100 W, mais très peu de distorsion à des puissances moindres. Ainsi, si l'enceinte sollicite 50 W, cet amplificateur produira un signal non distordu, réduisant ainsi les risques de dommages à l'enceinte.

Commande de volume

La commande de volume de l'amplificateur peut être trompeuse puisqu'elle permet seulement d'ajuster le volume d'écoute, mais n'indique pas la puissance de sortie. La puissance fournie par l'amplificateur à un réglage donné de la commande de volume dépend uniquement de la musique écoutée.

À un réglage donné de la commande de volume, un passage de musique douce sollicitera moins de puissance de l'amplificateur qu'un passage plus percutant. Pour l'écoute de pop/rock, de jazz ou de musique classique symphonique, le réglage de la commande de volume de la plupart des amplificateurs à une position entre 11 h et 13 h sur le cadran fournit environ la puissance nominale de l'amplificateur, à moins que les fonctions de compensation (bass/treble ou loudness) ne soient utilisées, dans lequel cas la puissance nominale pourrait être atteinte à un réglage plus faible de la commande de volume.

POUR ÉVITER D'ENDOMMAGER LES ENCEINTES *(continued)*

Il importe de se rappeler que tout amplificateur produira une distorsion si la puissance sollicitée excède sa puissance de sortie nominale. Cette distorsion endommagera les enceintes! Il faut donc faire attention! Pendant l'écoute à volume élevé, il faut surveiller toute distorsion possible – si le son provenant de l'enceinte semble distordu, réduire le volume pour ne pas endommager les enceintes et/ou l'amplificateur! **La garantie ne couvre pas ce type de détérioration!** Pour l'écoute à des volumes plus élevés, utiliser un amplificateur plus puissant.

Il y a une limite!

La plage de puissance nominale donne une idée des puissances d'entrée minimum et maximum de vos enceintes. Au-delà de cette limite, l'enceinte subira des dommages. Il faut donc faire attention! À volume élevé, les commandes des basses/aiguës (bass/treble) devraient être en position « zéro » et tous les boutons de compensation ou d'égalisation (loudness/contour/bass EQ), désactivés, à défaut de quoi la puissance nominale sera atteinte à un réglage moindre du volume. Lors de l'écoute à volume élevé, vérifier s'il y a excursion excessive des cônes (mouvement de la grille) des haut-parleurs des graves. Le cas échéant, réduire le volume.

La bonne puissance

La plage de puissance nominale donne une idée des puissances d'entrée minimum et maximum des enceintes Millenia^{MC}. Il est recommandé d'utiliser un amplificateur dont la puissance nominale excède la plage de puissance des enceintes. Cette puissance « de réserve » de l'amplificateur se traduira par une meilleure qualité sonore. Toutefois, il faut faire attention! Les enceintes doivent être utilisées dans leur plage de puissance pour ne pas les endommager – le volume d'écoute doit toujours être inférieur à la limite d'excursion excessive des cônes des haut-parleurs des graves.

ACOUSTIQUE DE LA PIÈCE

Vos enceintes sont conçues pour offrir un son à la fine pointe de la technologie dans divers milieux d'écoute intérieurs. Il importe toutefois de noter que la construction et les dimensions de la pièce, ainsi que son contenu ont tous une incidence sur la qualité sonore qu'il sera possible d'obtenir. En général, il est recommandé d'observer les directives suivantes en ce qui concerne le positionnement des enceintes :

- La quantité d'objets « mous » (rideaux, moquettes, sofas, revêtements muraux, etc.) que renferme la pièce aura une incidence sur les moyennes et hautes fréquences. S'ils sont trop nombreux, ces objets peuvent émousser le son produit par les enceintes. La même pièce sans aucun objet mou offrira un son généralement clair. Une quantité normale de ces objets dans la pièce offrira les caractéristiques acoustiques permettant d'obtenir des enceintes un son équilibré.
- Les planchers et murs en béton ont tendance à amplifier les problèmes liés aux ondes stationnaires des basses fréquences et ne sont donc pas idéals.
- Les pièces de hauteur, largeur et longueur semblables ne sont pas recommandées puisqu'elles peuvent se traduire par d'importants problèmes d'ondes stationnaires des basses fréquences qui réduisent la précision du son. Si aucune autre pièce n'est disponible, essayer différentes configurations du positionnement des enceintes afin de minimiser ces problèmes.

POSITIONNEMENT

Les lignes directrices en matière de positionnement suivantes vous aideront à obtenir le meilleur rendement de vos enceintes à rendement élevé. Des illustrations qui vous indiquent comment fixer les enceintes aux supports muraux sont fournies dans les sections suivantes.

ENCEINTES AVANT GAUCHE ET DROIT

Timbre précis (Fig. 1)

Pour obtenir le timbre le plus précis et naturel possible, placer les enceintes de façon à ce que les haut-parleurs de haute fréquence atteignent l'écouter environ au niveau des oreilles. Ne pas oublier que vos nouvelles enceintes permettent un positionnement plus élevé qu'à l'habitude des haut-parleurs de haute fréquence, une caractéristique particulièrement importante lors du montage sur un mur. Le fait de les monter plus loin l'une de l'autre sur le mur que la largeur de votre panneau plat favorisera une fenêtre d'écoute plus large et plus profonde.

Basses fréquences équilibrées *(non illustré)*

Le positionnement des enceintes avant dans les coins de la pièce accentuera les graves et réduira la clarté du son. Il est donc recommandé d'éviter de positionner les enceintes dans les coins pour obtenir un son plus équilibré.

Image optimale (Fig. 2)

En n'oubliant pas les indications ci-dessus, mesurer la distance entre l'aire d'écoute principale et l'avant des enceintes (« X »). Pour une performance optimale de l'image, installer les enceintes avant de sorte qu'elles soient séparées l'une de l'autre d'une distance allant des trois quarts de « X » à « X ».

ENCEINTE CENTRALE (Fig. 3)

Monter l'enceinte centrale Millenia^{MC} LP à l'horizontale dans le mur, directement au-dessous ou au-dessus de votre téléviseur, selon ce qui porte le son le plus proche du niveau de l'oreille. Ceci permet de s'assurer de la réponse de timbre la plus uniforme possible pour le reste du système.

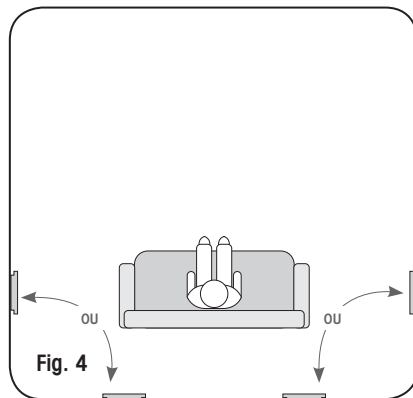
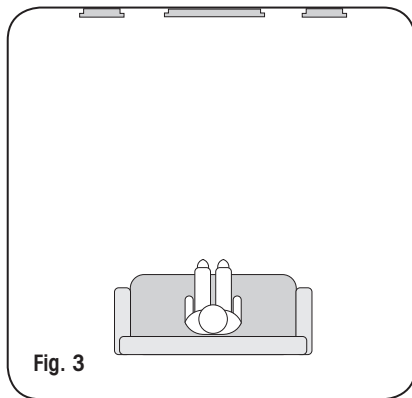
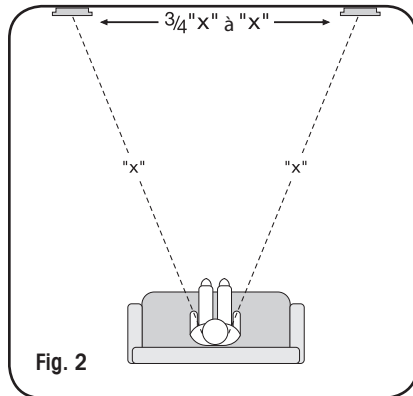
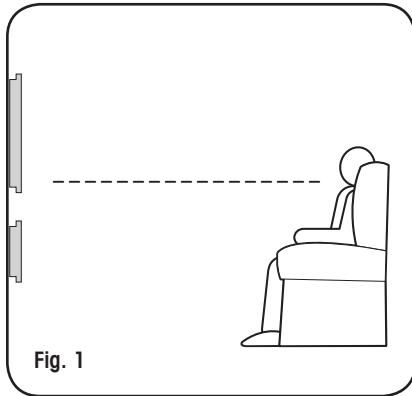
ENCEINTES AMBIOPHONIQUES/ARRIÈRE (Fig. 4)

Pour profiter pleinement de l'expérience multicanaux pour la musique et le cinéma maison, Paradigm recommande toujours d'utiliser des enceintes ambiophoniques/arrière. Lorsqu'elles sont utilisées à titre d'enceintes ambiophoniques/arrière, les enceintes doivent être tenues assez loin de l'aire d'écoute pour obtenir un son ambiophonique optimal (*voir l'illustration à la page suivante*).

OPTIONS SUPPLÉMENTAIRES POUR LES ENCEINTES AMBIOPHONIQUES/ARRIÈRE

La série Reference Collection de Paradigm offre d'autres options d'enceinte ambiophonique/arrière personnalisée. Veuillez consulter votre revendeur ou notre site Web paradigm.com pour obtenir de plus amples renseignements.

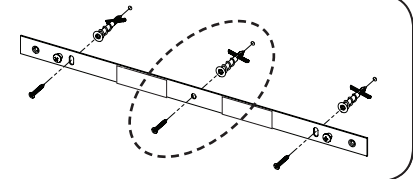
POSITIONNEMENT (suite)



INSTALLATION AU MUR

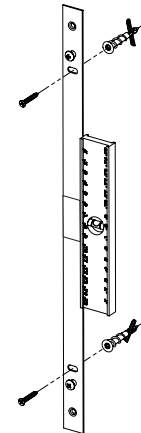
Si vous n'êtes pas à l'aise d'exécuter les procédures d'installation suivantes, demandez à un professionnel d'effectuer l'installation (voir votre revendeur Paradigm pour embaucher un professionnel).

IMPORTANT! Les instructions d'installation sont pour TOUS LES MODÈLES. Si vous possédez un Millenia LP XL, il y aura une vis et un trou supplémentaires (voir le diagramme à droite).



MONTAGE DES ENCEINTES GAUCHE/DROITE

Placez le support à la verticale, tel qu'illustré, puis suivez les étapes pour le positionnement horizontal.

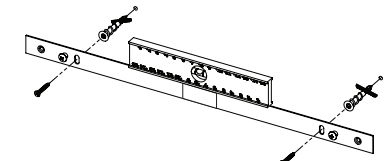


Vis murales non comprises

Étape 1

MONTAGE DE L'ENCEINTE CENTRALE

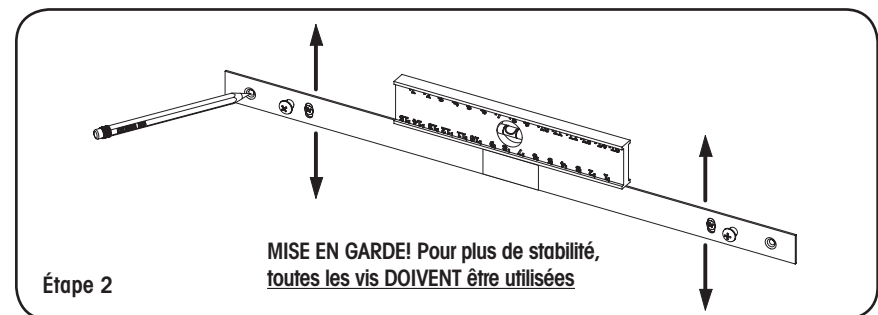
REMARQUE : cette étape concerne uniquement le positionnement. Les vis seront enlevées à la prochaine étape afin de permettre l'installation de boulons d'ancrage additionnels (non compris).



Vis murales non comprises

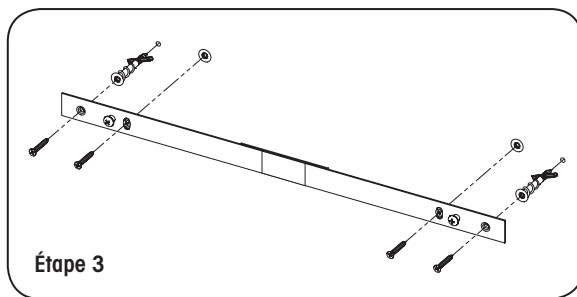
Étape 1

Placez le support et assurez-vous qu'il est au niveau. Marquez les deux trous de vis du centre. Percez les trous de guidage, puis enfoncez fermement les boulons d'ancrage dans la cloison sèche et vissez. Vissez ensuite les vis à tête plate : NE VISSEZ PAS COMPLÈTEMENT À CE POINT—laissez les têtes de vis dépasser légèrement.



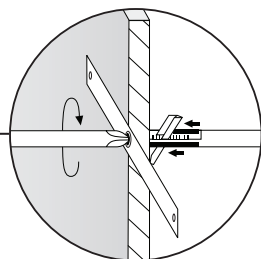
Le support est doté de fentes (voir l'illustration), pour permettre un réglage, le cas échéant. Vérifiez à nouveau pour vous assurer que le support est au niveau. Marquez les trous de vis extérieurs.

INSTALLATION AU MUR (suite)

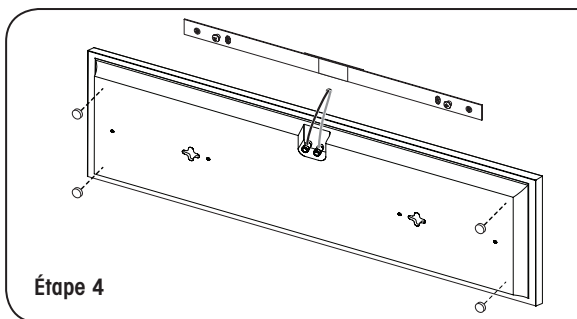


Étape 3

Enlevez les deux vis à tête plate (voir l'illustration). Percez les trous de guidage intérieurs, puis enfoncez fermement les boulons d'ancrage dans la cloison sèche et vissez. Insérez maintenant les quatre vis à tête plate et serrez.



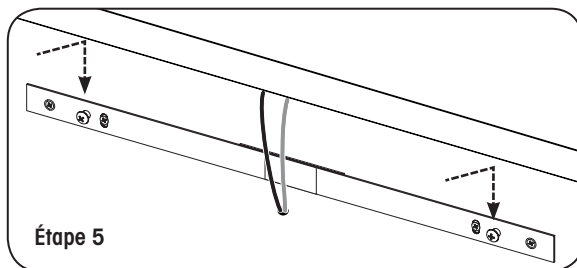
MISE EN GARDE! Toutes les vis doivent être insérées en ligne droite et entièrement serrées pour s'assurer que les boulons d'ancrage fonctionnent correctement.



Étape 4

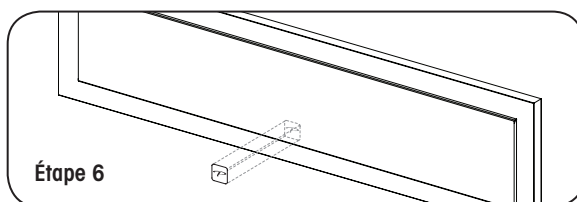
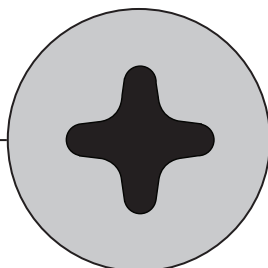
REMARQUE : Lorsque vous montez le **Millenia LP 2** sur un mur, fixez les 4 coussinets amortisseurs autoadhésifs sur la partie arrière de l'enceinte.

Tirez les câbles dans le mur ou le long du mur et raccordez-les en suivant les instructions à la page suivante.



Étape 5

Alignez les trous en forme de serrure (voir l'encart) situés derrière l'enceinte sur les têtes de vis qui dépassent sur le support, puis en faisant un mouvement de haut en bas, fixez l'enceinte sur le support.



Étape 6

8 Le logo de grille est magnétique et il peut être appliqué en configuration verticale ou horizontale.

RACCORDEMENT



ÉTEIGNEZ l'amplificateur avant de raccorder les enceintes. Vous éviterez ainsi les dommages qui pourraient survenir lors du court-circuit accidentel des câbles d'enceinte.

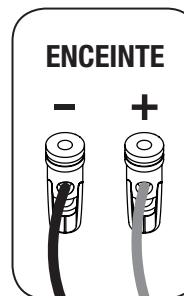
Le tableau suivant indique les exigences minimales de calibre pour les différentes longueurs de câble :

EXIGENCES MINIMALES EN MATIÈRE DE CALIBRE

LONGUEUR	DIAMÈTRE	CALIBRE
Moins de 4,5 m (15 pi)	1,3 mm (0,05 po)	16 awg
Moins de 9 m (30 pi)	1,6 mm (0,06 po)	14 awg
Plus de 9 m (30 pi)	2,0 mm (0,08 po)	12 awg

Vos enceintes sont dotées de bornes de raccordement de haute qualité qui peuvent être utilisées avec les broches, ainsi qu'avec des fils nus. Consultez le diagramme ci-dessous. À l'aide de câbles d'enceinte de haute qualité (voir votre revendeur), raccordez une enceinte à la fois à votre récepteur/amplificateur. Raccordez la borne rouge (+) de l'amplificateur à la borne rouge (+) de l'enceinte et la borne noire (-) de l'amplificateur à la borne noire (-) de l'enceinte (voir la page suivante). Poussez les bornes de raccordement pour les fixer.

Allumez l'amplificateur et écoutez les enceintes. Si vous remarquez un manque complet de graves moyennes et une image disloquée, une ou plusieurs enceintes pourraient être raccordées de façon « déphasée » (leur polarité est inversée). Vérifiez à nouveau pour vous assurer que les câbles d'enceinte sont raccordés avec la bonne polarité : rouge (+) avec rouge (+) et noir (-) avec noir (-). Poussez les bornes de raccordement pour les fixer.



DÉPANNAGE

PROBLÈME	SOLUTION
Aucun son	<ul style="list-style-type: none"> S'assurer que le préamplificateur ou l'amplificateur est branché et allumé. Vérifier que la prise de courant fonctionne correctement. Des écouteurs sont-ils branchés ou le système est-il en mode sourdine (mute)? Vérifier tous les raccords.
Aucun son d'une ou plusieurs enceintes	<ul style="list-style-type: none"> Vérifier la commande de réglage d'équilibre (balance). Vérifier le branchement et le fonctionnement de tous les cordons d'alimentation.
Déficience des graves ou image disloquée	<ul style="list-style-type: none"> One or more speakers may be connected out of phase (their polarity is reversed). Re-check to ensure that each speaker's cable is connected with correct polarity: red (+) to red (+) and black (-) to black (-).

SPECIFICATIONS TECHNIQUES

	MILLENIA ^{MC} LP 2
Design	Cinq haut-parleurs, bass-reflex à deux voies avec quatre radiateurs passifs dans un boîtier brillant moulé ultra mince
Raccord	Électroacoustique 2e ordre à 2,6 kHz
Haut-parleur de haute fréquence	Dôme S-PAL ^{MC} de 25-mm (1 po), ferrofluide amorti/refroidi
Haut-parleurs de moyens fréquence	Deux cônes monocoques anodisés de 114 mm (4-1 po), bobine acoustique en aluminium haute température de 37 mm (1-1/2 po), Nomex [®] spider, ambiophonique en caoutchouc nitrile-butadiène, aimant au néodyme, système intégré de dissipation de la chaleur avec aimant/ tête de moteur mobile, panier en acier durci avec ailette de dissipation thermique
Radiateurs Passive	Deux cônes monocoques anodisés de 114 mm (4-1/2 po), ambiophonique en caoutchouc nitrile-butadiène, système de résonance précis.
Extension de basse fréquence :	75 Hz (DIN)
Courbe de résonance : <i>sur l'axe</i> <i>30° hors axe</i>	±3 dB de 120 Hz – 21 kHz ±3 dB de 120 Hz – 15 kHz
Sensibilité – chambre/anéchoïque	92 dB / 89 dB
Gamme de puissance appropriée pour l'amplificateur	15 à 130 watts
Puissance d'entrée maximale ¹	70 watts
Impédance	Compatible avec 8 ohms
Dimensions (h x l x p)	64,0 cm x 16,5 cm x 4,4 cm / 25-1/5 po x 6-1/2 po x 1-3/4 po
Poids (non emballé)	3,0 kg / 6,5 lb chaque
Fini	Noir lustré / aluminium brossé

¹DIN 45 500 Indique -3 dB dans une salle d'écoute typique.

¹Avec un programme source typique, attendu que l'amplificateur n'écrête pas plus de 10 % du temps.

	MILLENIA ^{MC} LP XL
Design	Sept haut-parleurs, bass-reflex à deux voies avec quatre radiateurs passifs dans un boîtier brillant moulé ultra mince
Raccord	Électroacoustique 2e ordre à 2,6 kHz
Haut-parleur de haute fréquence	Dôme S-PAL ^{MC} de 25-mm (1 po), ferrofluide amorti/refroidi
Haut-parleurs de moyens fréquence	Deux cônes monocoques anodisés de 114 mm (4-1/2 po), bobine acoustique en aluminium haute température de 37 mm (1-1/2 po), Nomex [®] spider, ambiophonique en caoutchouc nitrile-butadiène, aimant au néodyme, système intégré de dissipation de la chaleur avec aimant/ tête de moteur mobile, panier en acier durci avec ailette de dissipation thermique.
Radiateurs Passive	Quatre cônes monocoques anodisés de 114 mm (4-1/2 po), ambiophonique en caoutchouc nitrile-butadiène, système de résonance précis.
Extension de basse fréquence :	60 Hz (DIN)
Courbe de résonance : <i>sur l'axe</i> <i>30° hors axe</i>	±3 dB de 120 Hz – 21 kHz ±3 dB de 120 Hz – 15 kHz
Sensibilité – chambre/anéchoïque	92 dB / 89 dB
Gamme de puissance appropriée pour l'amplificateur	15 à 130 watts
Puissance d'entrée maximale ¹	70 watts
Impédance	Compatible avec 8 ohms
Dimensions (h x l x p)	86,0 cm x 16,5 cm x 4,4 cm / 33-3/4 po x 6-1/2 po x 1-3/4 po
Poids (non emballé)	4,1 kg / 9 lb chaque
Fini	Noir lustré / aluminium brossé

¹DIN 45 500 Indique -3 dB dans une salle d'écoute typique.

¹Avec un programme source typique, attendu que l'amplificateur n'écrête pas plus de 10 % du temps.

GARANTIE LIMITÉE

Vos nouvelles enceintes sont garanties contre les défauts de matériaux et de fabrication pendant une période de **cinq (5) ans** à compter de la date d'achat du matériel neuf. Durant cette période, la réparation, le remplacement ou le réglage de pièces pour des défauts de matériaux ou de fabrication ne seront pas à la charge du premier acheteur.

Les dommages causés par l'exposition abusive à la chaleur ou l'usage abusif ne sont pas couverts par la présente garantie.

Clauses spécifiques :

- La garantie entre en vigueur à la date d'achat par le premier acheteur chez un revendeur autorisé Paradigm[™]. La garantie n'est pas transférable;
- La garantie s'applique aux enceintes pour une utilisation domestique normale. Si les enceintes sont soumises à l'une des conditions définies dans le paragraphe suivant, la garantie est nulle;
- La garantie ne s'applique pas à un usage commercial ou professionnel.

La garantie est révoquée si :

- L'enceinte est soumise à un usage abusif (accidentel ou intentionnel);
- L'enceinte est utilisée avec un équipement défectueux ou non adéquat;
- L'enceinte est soumise à des signaux électriques dommageables, un transport dangereux, des dommages matériels ou toute autre condition anormale;
- L'enceinte (y compris le boîtier) sont altérés ou endommagés lors d'une réparation non autorisée;
- La plaque du numéro de série du produit est enlevée ou défigurée.

Responsabilités du propriétaire :

- Apporter un soin et un entretien normaux et raisonnables;
- Assumer les frais de transport jusqu'à l'atelier de réparation;
- Fournir une preuve d'achat (conserver le reçu fourni lors de l'achat par le revendeur autorisé Paradigm[™] comme preuve de la date d'acquisition).

Si une réparation est nécessaire, contacter le revendeur autorisé Paradigm[™] Reference, Paradigm Electronics Inc. ou le distributeur à l'étranger (à l'extérieur du Canada et des États-Unis) pour planifier l'envoi prépayé de l'enceinte défectueuse. Consulter le site Web **paradigm.com** pour plus d'information.

Paradigm Electronics Inc. se réserve le droit d'améliorer ou de modifier ses produits en tout temps sans responsabilité ou engagement envers les produits existants.

La présente garantie de qualité marchande tient en lieu et place de toute autre garantie explicite ou implicite et ne peut être modifiée, élargie ou étendue à d'autres obligations par quiconque. Paradigm Electronics Inc. et ses représentants ou agents ne peuvent pas être tenus responsables de dommages découlant de l'utilisation de ces produits. Là où une réglementation spécifique interdit une telle limitation de la responsabilité, cette exclusion ne s'applique pas.

Conserver le présent manuel et le reçu comme preuves d'achat jusqu'au terme de la garantie.