

**Pioneer** *sound.vision.soul*

**2DIN INSTALLATION KIT**

**KIT D'INSTALLATION 2 DIN**

**2DIN 安装成套件**

# **INSTALLATION MANUAL**

# **MANUEL D'INSTALLATION**

# **ADT-VA133**

## **PIONEER CORPORATION**

4-1, MEGURO 1-CHOME, MEGURO-KU, TOKYO 153-8654, JAPAN

## **PIONEER ELECTRONICS (USA) INC.**

P.O. Box 1540, Long Beach, California 90801-1540, U.S.A.

TEL: (800) 421-1404

## **PIONEER EUROPE NV**

Haven 1087, Keetberglaan 1, B-9120 Melsele, Belgium

TEL: (0) 3/570.05.11

## **PIONEER ELECTRONICS ASIACENTRE PTE. LTD.**

253 Alexandra Road, #04-01, Singapore 159936

TEL: 65-6472-7555

## **PIONEER ELECTRONICS AUSTRALIA PTY. LTD.**

178-184 Boundary Road, Braeside, Victoria 3195, Australia

TEL: (03) 9586-6300

## **PIONEER ELECTRONICS OF CANADA, INC.**

300 Allstate Parkway, Markham, Ontario L3R OP2, Canada

TEL: 1-877-283-5901

## **PIONEER ELECTRONICS DE MEXICO, S.A. de C.V.**

Bldv. Manuel Avila Camacho 138 10 piso

Col. Lomas de Chapultepec, Mexico, D.F. 11000

TEL: 55-9178-4270

日本先锋公司

日本国东京都目黒区目黒 1 - 4 - 1

经销商: 先锋电子(中国)投资有限公司

地址: 中国上海市淮海中路 7 7 5 号新华联大厦西栋 1 8 楼

Published by Pioneer Corporation.

Copyright © 2006 by Pioneer Corporation.

All rights reserved.

Publication de Pioneer Corporation.

Copyright © 2006 Pioneer Corporation.

Tous droits de reproduction et de traduction réservés.

Printed in Japan

Imprimé au Japon

产品原产地: 日本制造  
出版日期: 2006年1月23日

<CRD4127-A> E

< KOKFF > < 09D02010 >



** WARNING**

Handling the cord on this product or cords associated with accessories sold with the product may expose you to chemicals listed on proposition 65 known to the State of California and other governmental entities to cause cancer and birth defects or other reproductive harm. ***Wash hands after handling.***

This instruction manual was written specifically in order to install Pioneer corporation products in a vehicle. Please be aware that the instructions may not be applicable products from other companies are installed.

Be sure to read this instruction manual before using this fitting kit.

**Remark:**

Antenna adapter is required for proper connection between Head unit and car antenna.

**Accessories (Fig. 1)**

- ① U-shaped tools × 4
- ② Sleeve × 1
- ③ Rear bracket × 1
- ④ Side bracket × 2
- ⑤ Pawl × 1
- ⑥ M5 × 16 screw × 1
- ⑦ M3 × 4 screw × 4
- ⑧ Panel × 1

**Take out car stereo (Fig. 2)**

Bend to use. (\*1)

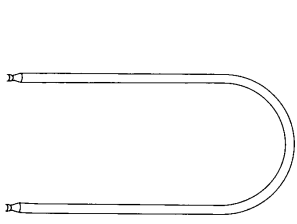
**Remove pocket (Fig. 3)**

If your car has a partition wall in the middle of the dashboard, remove it. (\*2)

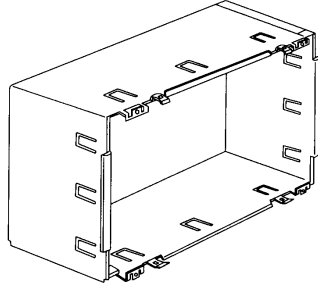
**File corner (Fig. 4)****Slide into dashboard (Fig. 5)****Brackets position to car stereo (Fig. 6)****Mount installation kit onto the car stereo (Fig. 7)**

Included in the head unit package or the navigation system package. (\*3)

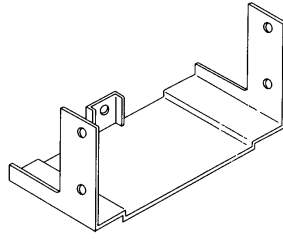
**Slide the car stereo into the sleeve and fix it (Fig. 8)****Snap the facia to the sleeve (Fig. 9)**



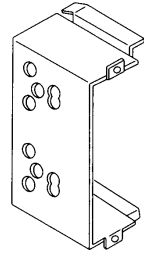
①



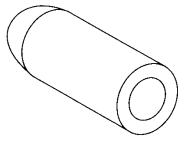
②



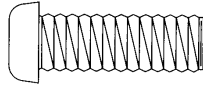
③



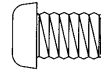
④



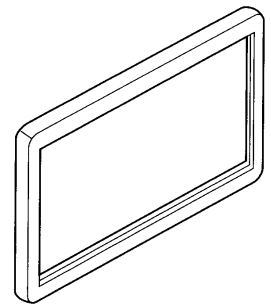
⑤



⑥



⑦



⑧

**Fig. 1**  
**Abb. 1**

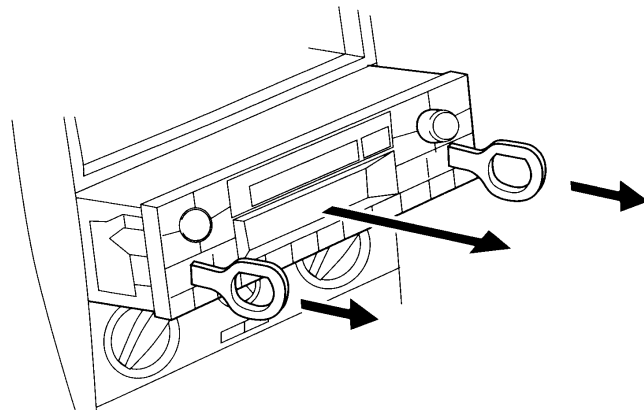
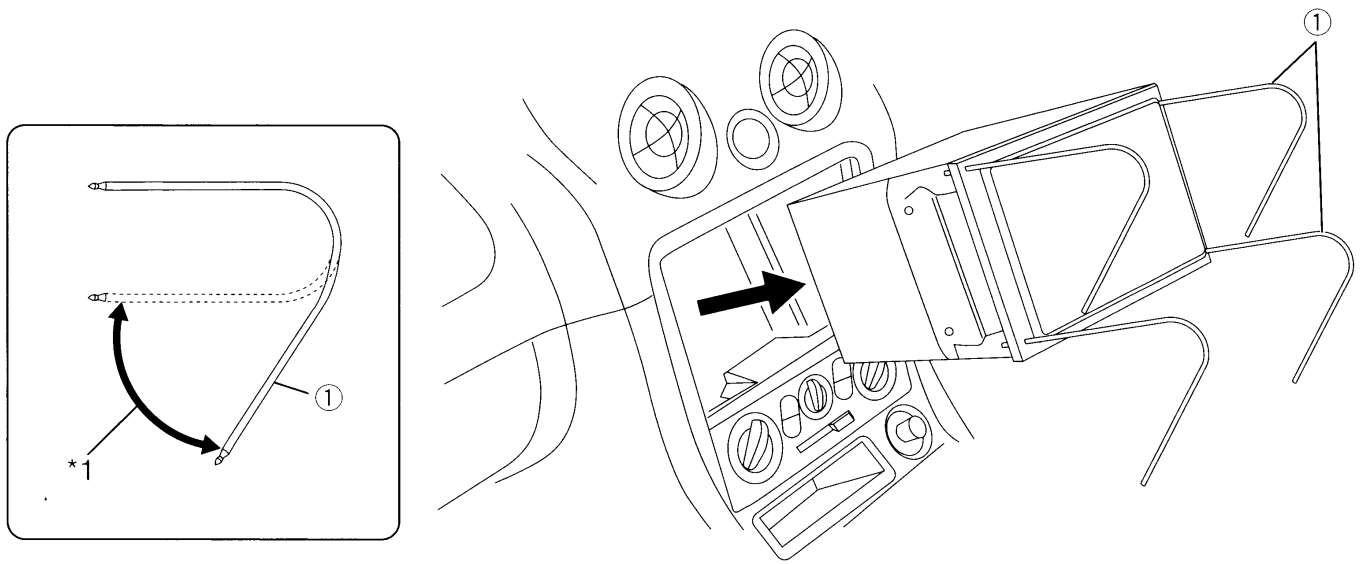
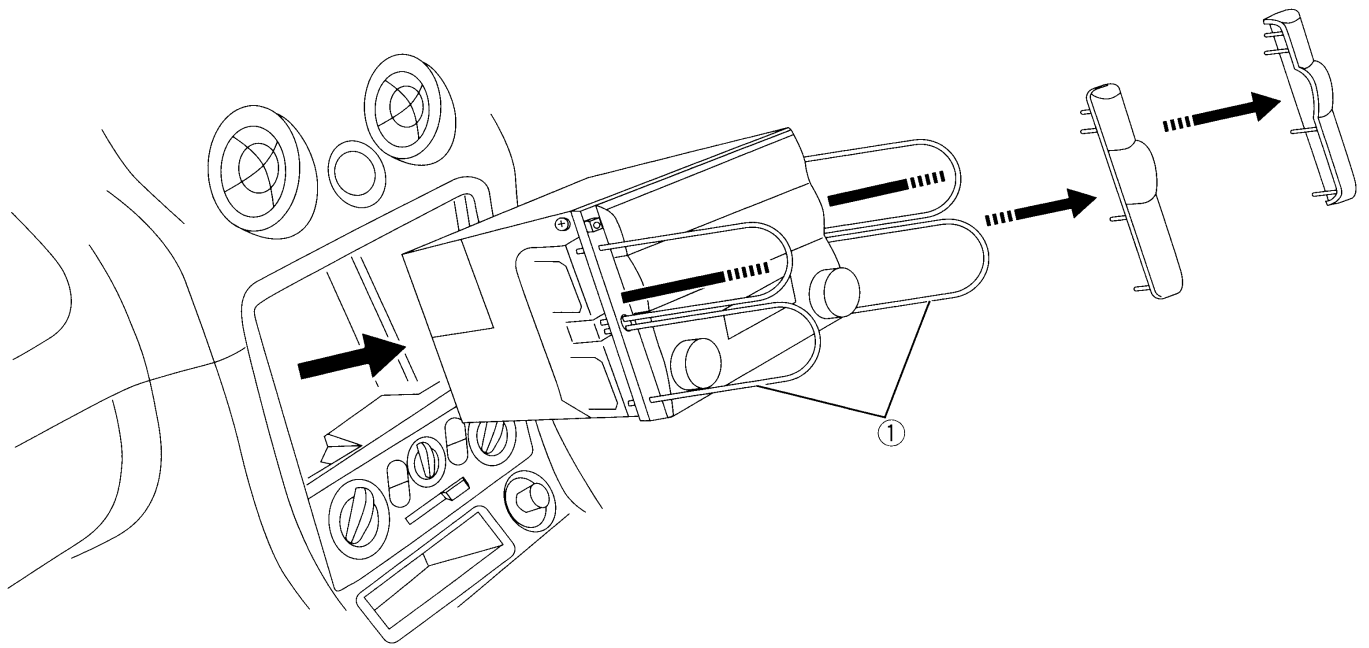
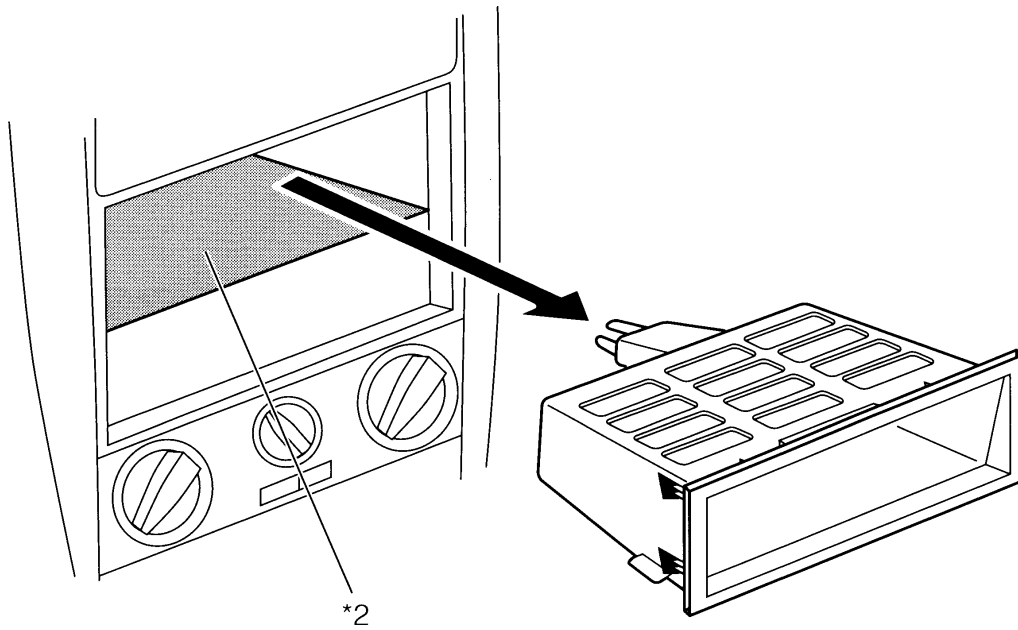
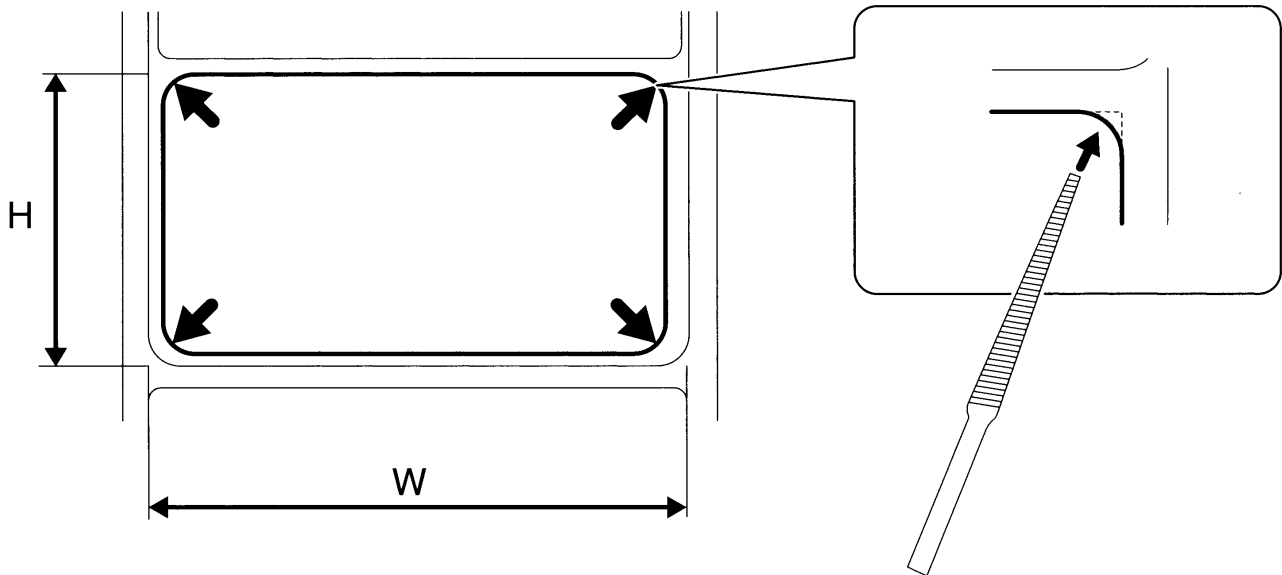


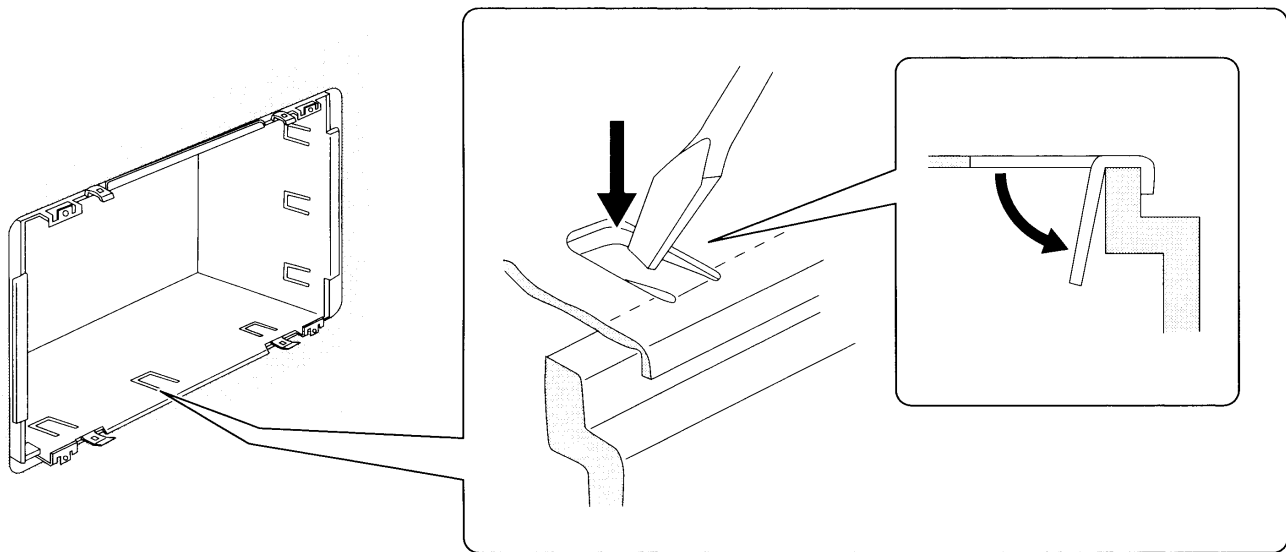
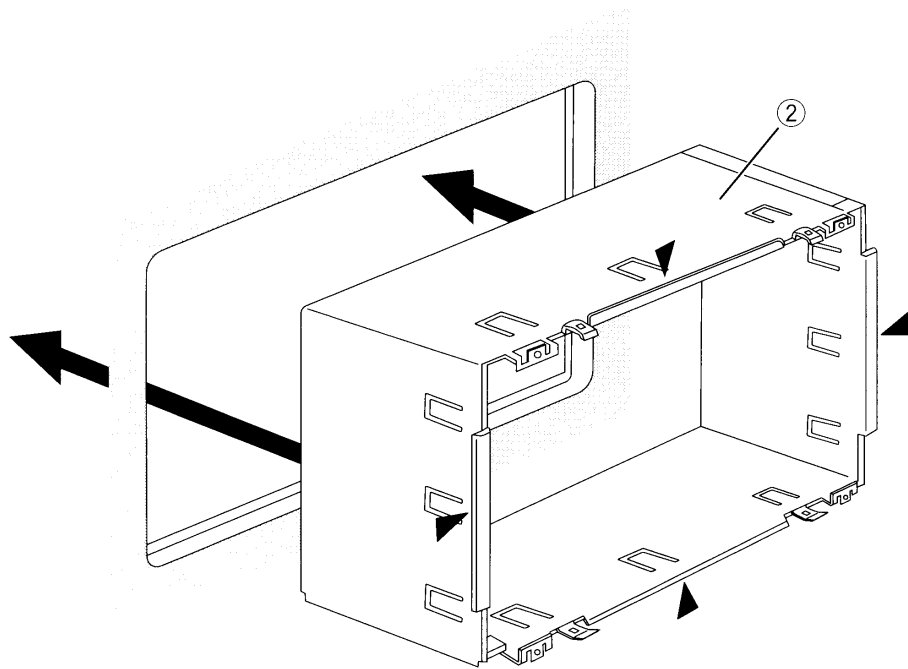
Fig. 2  
Abb. 2



**Fig. 3**  
**Abb. 3**



**Fig. 4**  
**Abb. 4**



**Fig. 5**  
**Abb. 5**

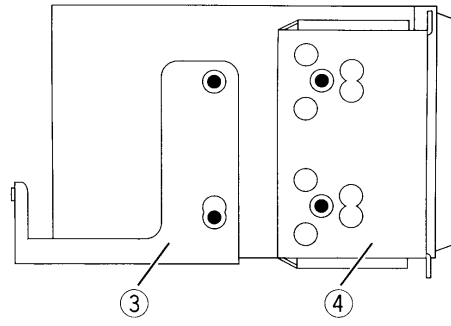


Fig. 6  
Abb. 6

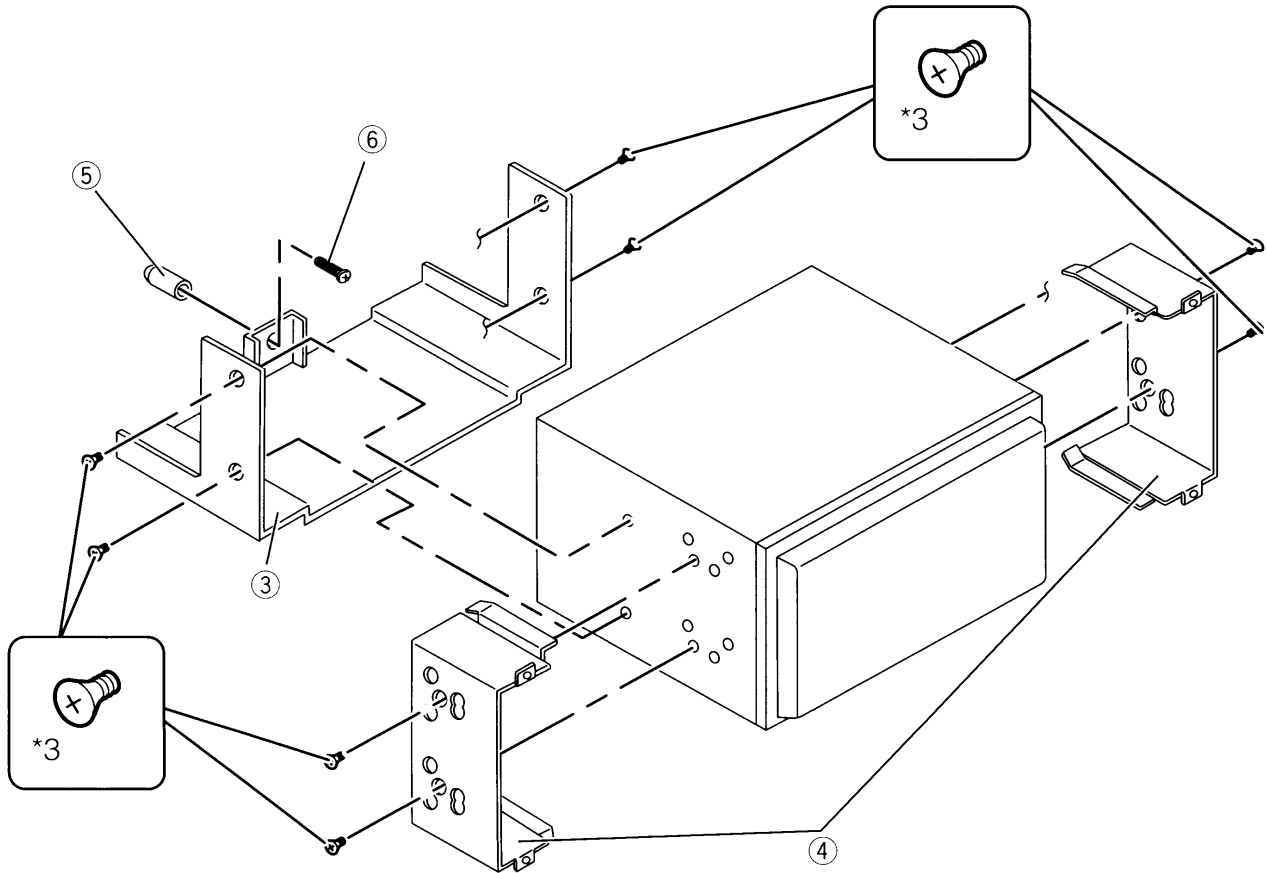
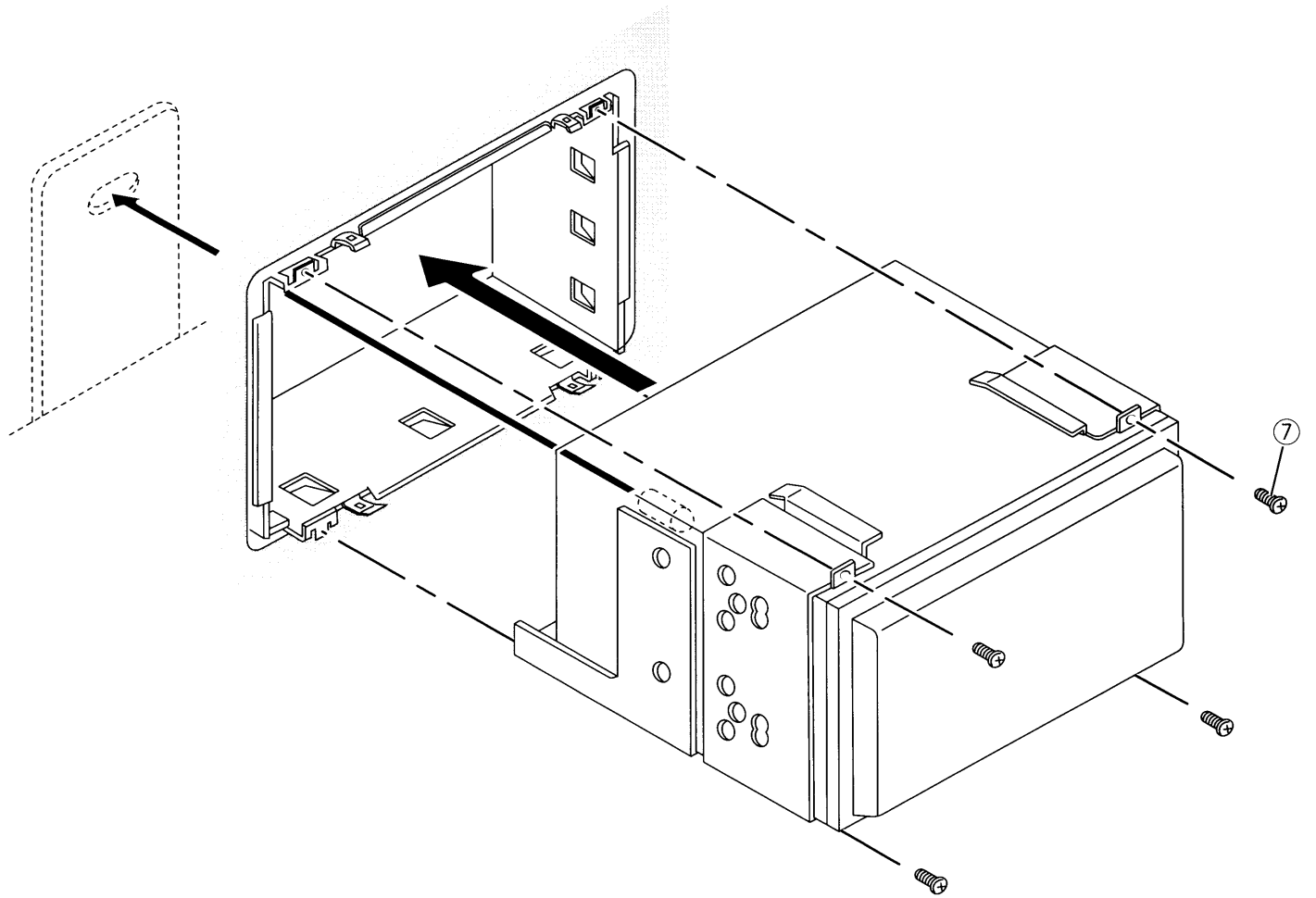
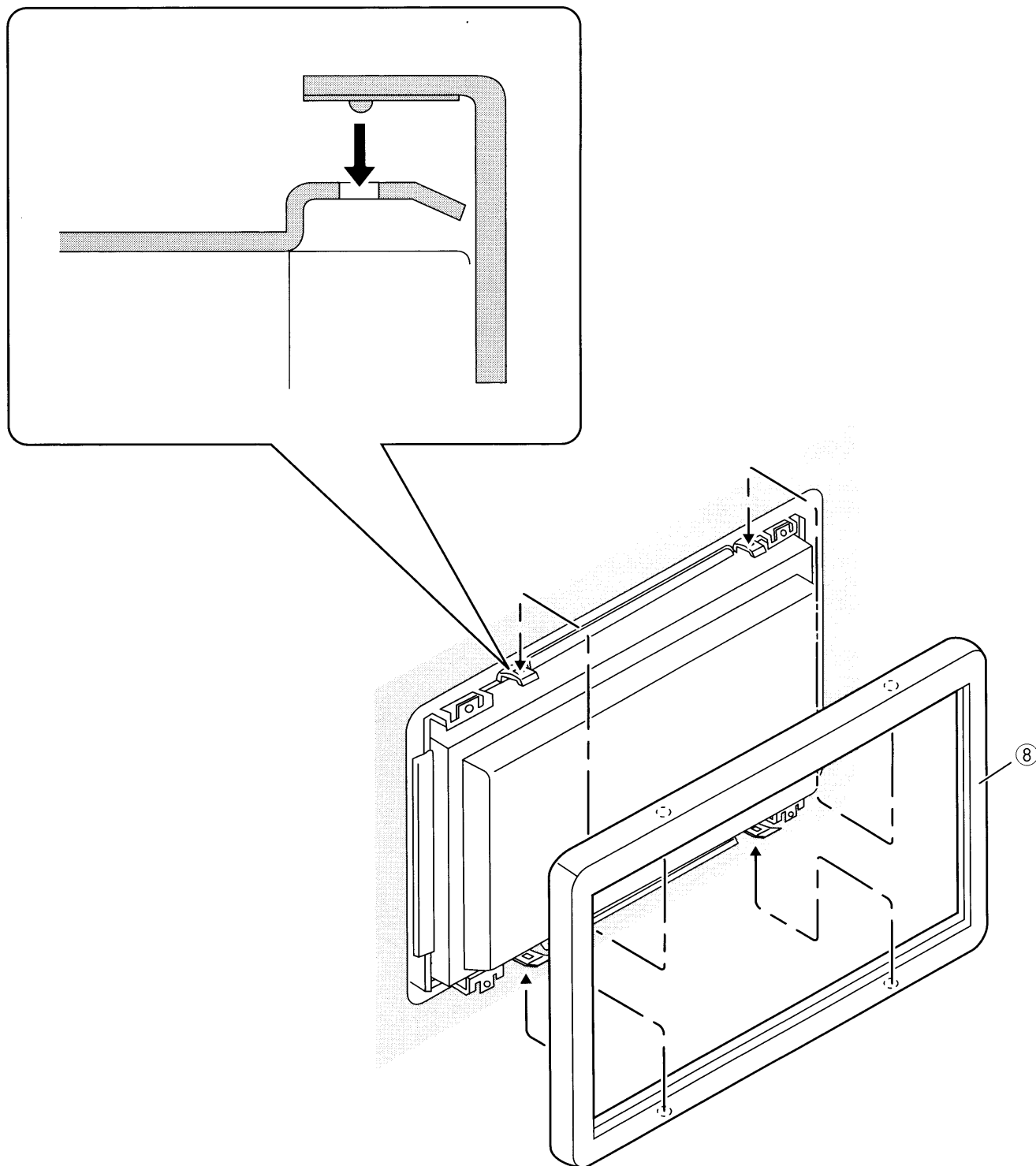


Fig. 7  
Abb. 7



**Fig. 8**  
**Abb. 8**





**Fig. 9**  
**Abb. 9**