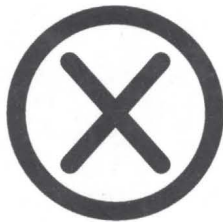


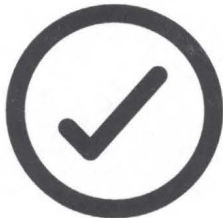
NOTICE

FOR SADDLEBAGS WITH TMS69BL14 KITS

DO NOT use the included rubber plugs to cover existing holes drilled for the TMS69BL14 saddlebag speaker kit.



Please use the four included adhesive disks. For each saddlebag, secure one disk on the inside, and one disk on the outside.





Rockford Fosgate®

**2014+
HARLEY-DAVIDSON®
STREET/ROAD GLIDE
SUBWOOFER KIT**

HD14-SBSUB

Introduction

Dear Customer,

Congratulations on your purchase of the world's finest brand of audio products. At Rockford Fosgate we are fanatics about musical reproduction at its best, and we are pleased you chose our product. Through years of engineering expertise, hand craftsmanship and critical testing procedures, we have created a wide range of products that reproduce music with all the clarity and richness you deserve.

For maximum performance we recommend you have your new Rockford Fosgate product installed by an Authorized Rockford Fosgate Dealer. Please read your warranty and retain your receipt and original carton for possible future use.

Great product and competent installations are only a piece of the puzzle when it comes to your system. Make sure that your installer is using 100% authentic installation accessories from Rockford Fosgate in your installation. Rockford Fosgate has everything from RCA cables and speaker wire to power wire and battery connectors. Insist on it! After all, your new system deserves nothing but the best.

To add the finishing touch to your new Rockford Fosgate image order your Rockford accessories, which include everything from T-shirts to hats.

Visit our web site for the latest information on all Rockford products; www.rockfordfosgate.com or, in the U.S. call 1-800-669-9899 or FAX 1-800-398-3985. For all other countries, call +001-480-967-3565 or FAX +001-480-966-3983.

Table of Contents

2	Introduction
3-10	Contents
12	Warranty

If, after reading your manual, you still have questions regarding this product, we recommend that you see your Rockford Fosgate dealer. If you need further assistance, you can call us direct at 1-800-669-9899. Be sure to have your serial number, model number and date of purchase available when you call.

For the latest information and installation instructions go to <https://rockfordfosgate.com/products/selector/motorcycle-accessories/>

PRACTICE SAFE SOUND

Continuous exposure to sound pressure levels over 100dB may cause permanent hearing loss. High powered auto sound systems may produce sound pressure levels well over 130dB. Use common sense and practice safe sound.

PRATIQUÉZ UNE ÉCOUTE SANS RISQUES

Une exposition continue à des niveaux de pression acoustique supérieurs à 100 dB peut causer une perte d'acuité auditive permanente. Les systèmes audio de forte puissance pour auto peuvent produire des niveaux de pression acoustique bien au-delà de 130 dB. Faites preuve de bon sens et pratiquez une écoute sans risques

PRACTIQUE EL SONIDO SEGURO

El contacto continuo con niveles de presión de sonido superiores a 100 dB puede causar la pérdida permanente de la audición. Los sistemas de sonido de alta potencia para automóviles pueden producir niveles de presión de sonido superiores a los 130 dB. Aplique el sentido común y practique el sonido seguro.

PRAKTIZIEREN SIE SICHEREN SOUND

Fortgesetzte Geräuschdruckpegel von über 100 dB können beim Menschen zu permanentem Hörverlust führen. Leistungsstarke Autosoundsysteme können Geräuschdruckpegel erzeugen, die weit über 130 dB liegen. Bitte wenden Sie gesunden Menschenverstand an und praktizieren Sie sicheren Sound.

OSSERVATE LE REGOLE DEL SUONO SENZA PERICOLI

La costante esposizione a livelli di pressione acustica al di sopra dei 100dB possono causare la perdita permanente dell'udito. I sistemi audio ad alta potenza possono produrre livelli di pressione acustica ben superiori ai 130dB. Si consiglia il buon senso e l'osservanza delle regole del suono senza pericoli

Installation Considerations

This kit was designed exclusively for the 2014 to present Harley Davidson Street Glide and Road Glide touring bikes. This kit allows you to add an amplifier and subwoofers into your saddle bags. If you feel unsure about installing this system yourself, reach out to one of our many qualified Rockford Fosgate dealers for a qualified technician at <https://rockfordfosgate.com>

Before installing, disconnect the negative (-) battery terminal to prevent damage to the unit, fire or possible injury.

Before beginning any installation, follow these simple rules:

- Be sure to carefully read and understand the instructions before attempting to install this motorcycle subwoofer kit.
- Consult your motorcycle's service manual for model specific information. Models may differ from year to year depending on factory options and aftermarket accessories added.
- This motorcycle subwoofer installation kit is specifically designed to work with Rockford Fosgate's POWER M5-800X4 amplifier.
- With the addition of an amplifier, be sure that your current charging system is in proper working order.
- Utilize a blanket or fender cover to protect the front fender from tools or any other items that may be accidentally dropped while removing the fairing and gas tank.
- Visit rockfordfosgate.com for more comprehensive installation videos and product information.

Contents

- (1) Amplifier Mounting Bracket
- (1) Amplifier Cover
- (1) M5-800x4 Amplifier
- (2) Amplifier Mounting Screws
- (1) Brake Side Subwoofer and Enclosure
- (1) Clutch Side Subwoofer and Enclosure
- (1) Brake Side Wire Harness
- (1) Clutch Side Wire Harness
- (1) Bike Side Wire Harness
- (1) Bag Side Wire Harness
- (2) Brake Side Bulk Head Screws
- (6) Brake/Clutch Side Pass-thru Screws
- (4) Brake/Clutch Side Pass-thru Washers
- (2) Cut Templates
- (8) Cut Template Mounting Screws
- (8) Grill Mounting Screws
- (1) 45mm Hole Saw
- (2) Grill Assemblies and Block Off Plates
- (2) Grommets
- (4) Bag Mounting Bolts and Clips
- (1) Allen Wrench for Bag Mounting Bolts
- (2) Wire harness hole block off (only used if previously had TMS69BL14 kit)
- (1) Y-adaptor for fairing amp
- (12) Zip Ties
- (2) Alcohol prep pads

Specifications

	M5-800X4		M1D2-10B
CTA-2006 Dynamic Power* Rating	125W x 4 @ 40hm 200W x 4 @ 20hm 400W x 2 @ 40hm Bridged	Power Handling - Watts	300 Watts RMS
CTA-2006 Continuous Power Rating	100W x 4 @ 40hm 100W x 4 @ 20hm 200W x 2 @ 40hm Bridged	Nominal Impedance	Dual 20hm wired to 40hms
			Fusing
		Overall System Fusing	40 Amp Fuse

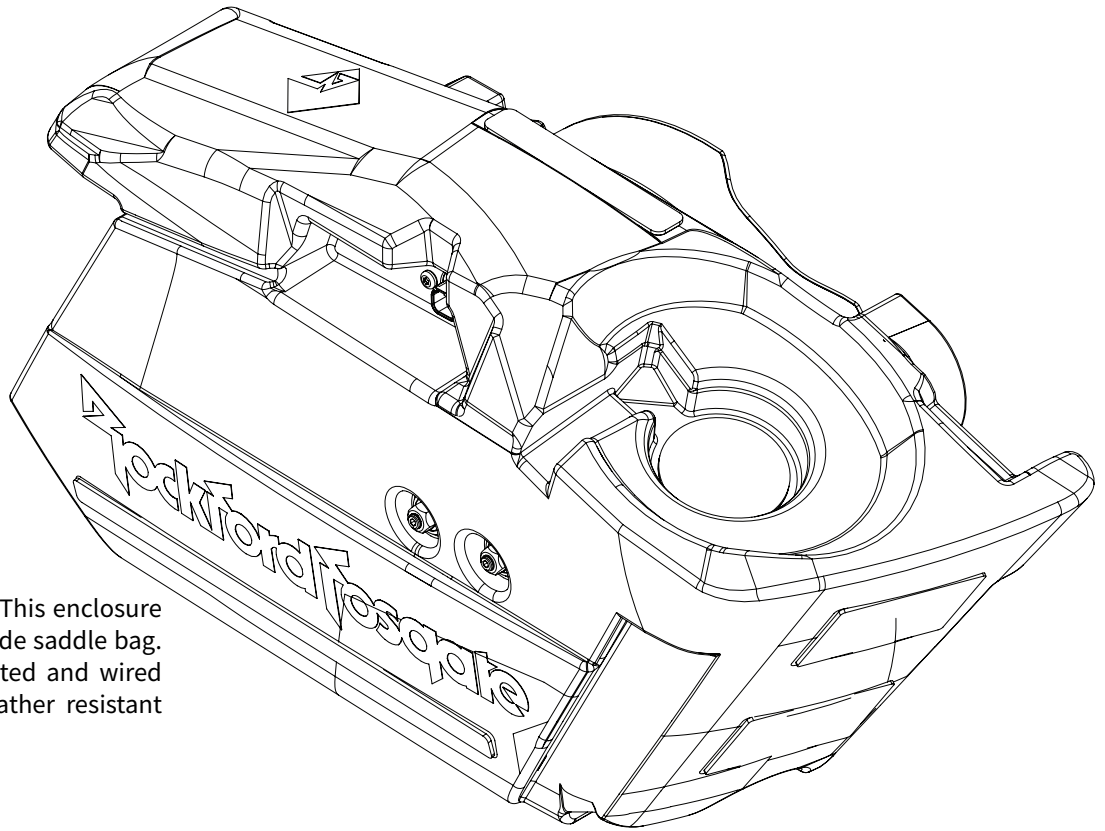
COMPATIBILITY

- 2014+ Harley-Davidson Street Glide****
- 2015+ Harley-Davidson Road Glide****
- 2014+ Harley-Davidson Electra Glide****

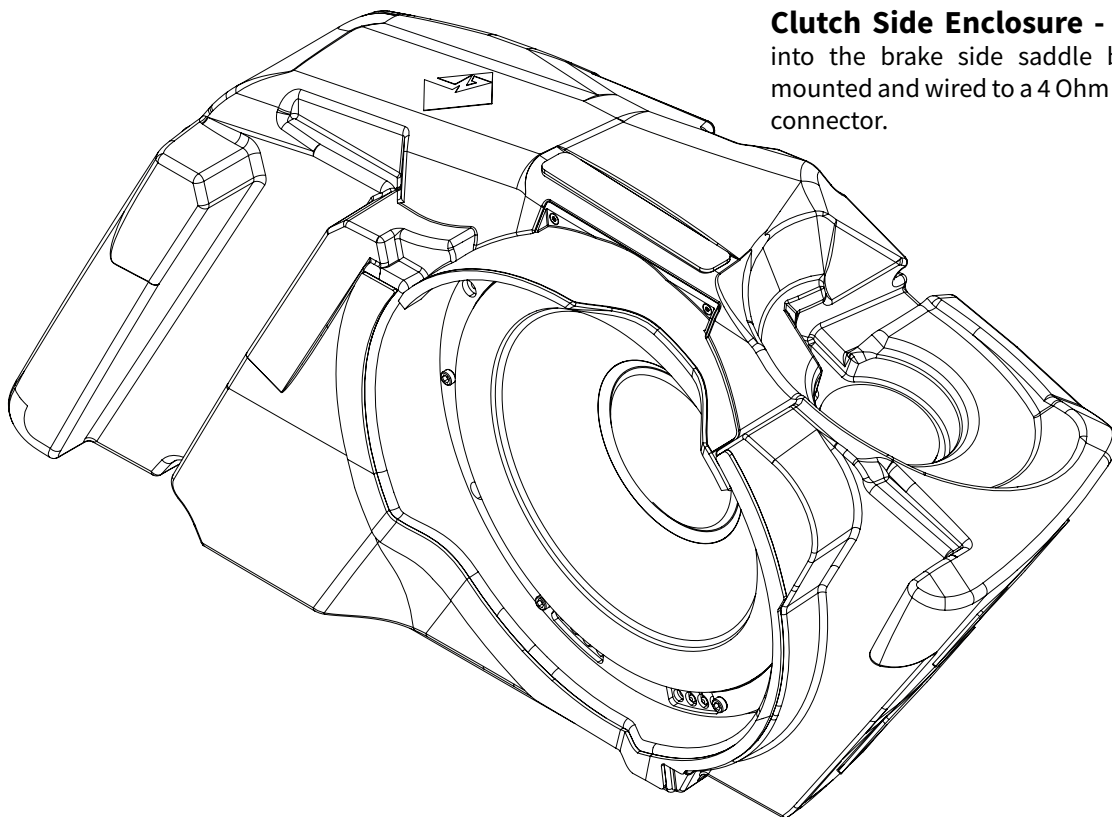
For more information and product installation videos, visit the product details page: rockfordfosgate.com/products/details/hd14-sbsub

*Dynamic Power indicates actual, usable power delivered by the amplifier to the speakers when listening to music. Dynamic Power ratings are based on CTA-2006 industry standards. Dynamic Power has been provided to indicate the actual RMS power output performance of the amplifier in the real world.

** The HD14-SBSUB kit is designed to work exclusively with Rockford Fosgate’s Harley Davidson Plug and Play Stage kits that utilize the TM or M5 amplifiers mounted in the fairing. This only works with factory fit 5x7” bag lids or with the TMS69BL14 bag lid speakers. If your bag lids have the OEM power locking system, this kit will NOT fit. If your bike came with an factory amplifier in the saddle bags, this kit will NOT fit. This kit was designed for OEM non stretched bags.

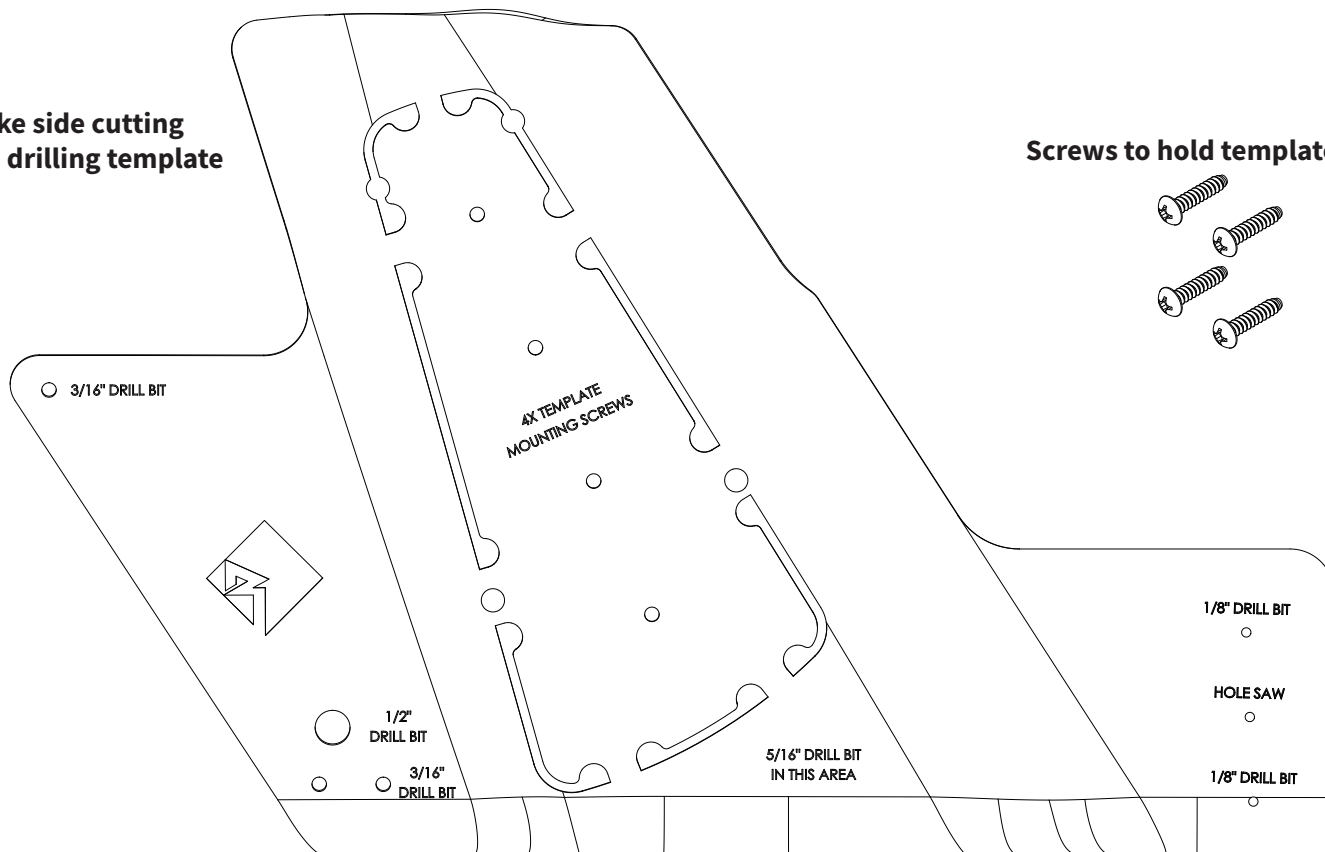


Brake Side Enclosure - This enclosure fits perfectly into the brake side saddle bag. The subwoofer comes mounted and wired to a 4 Ohm load with a weather resistant connector.

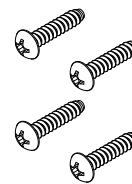


Clutch Side Enclosure - This enclosure fits perfectly into the brake side saddle bag. The subwoofer comes mounted and wired to a 4 Ohm load with a weather resistant connector.

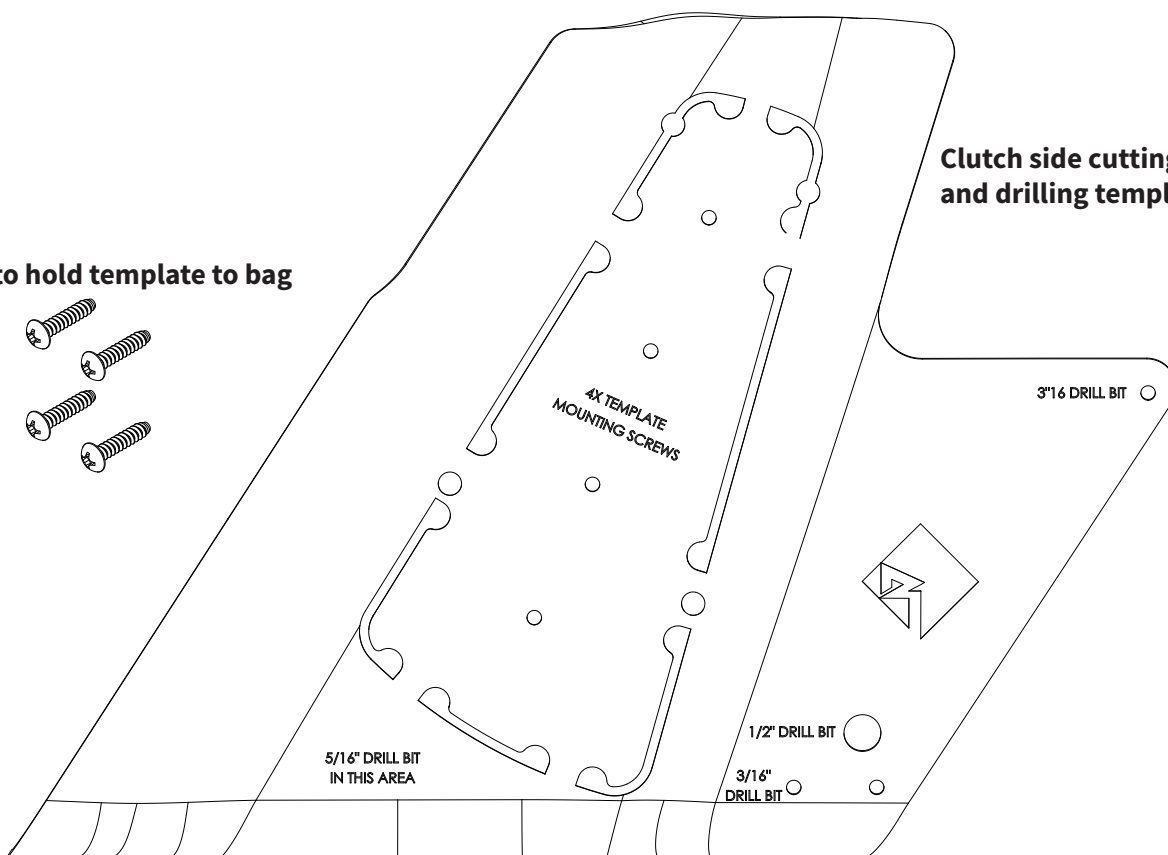
Brake side cutting and drilling template



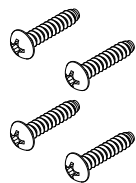
Screws to hold template to bag



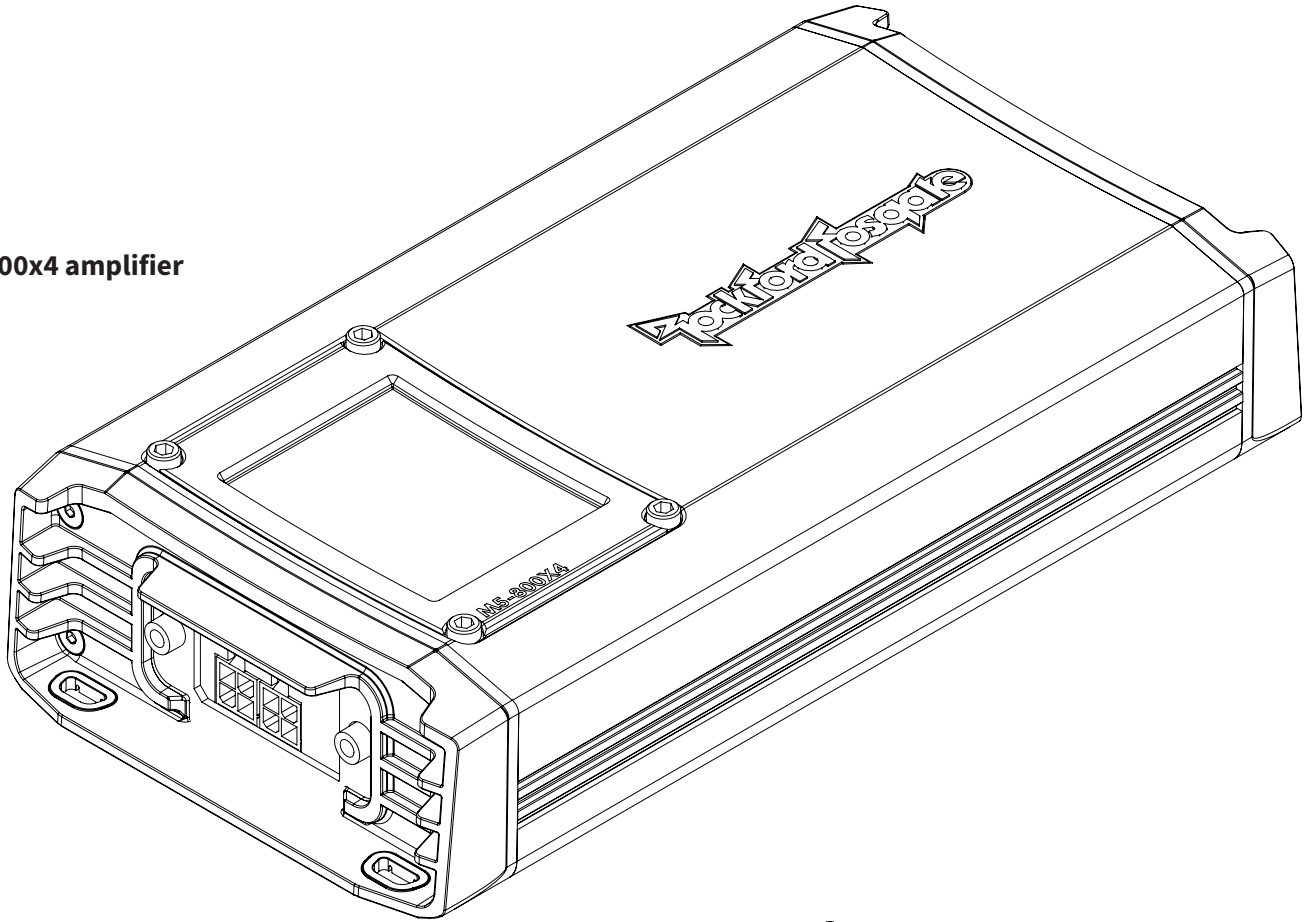
Screws to hold template to bag



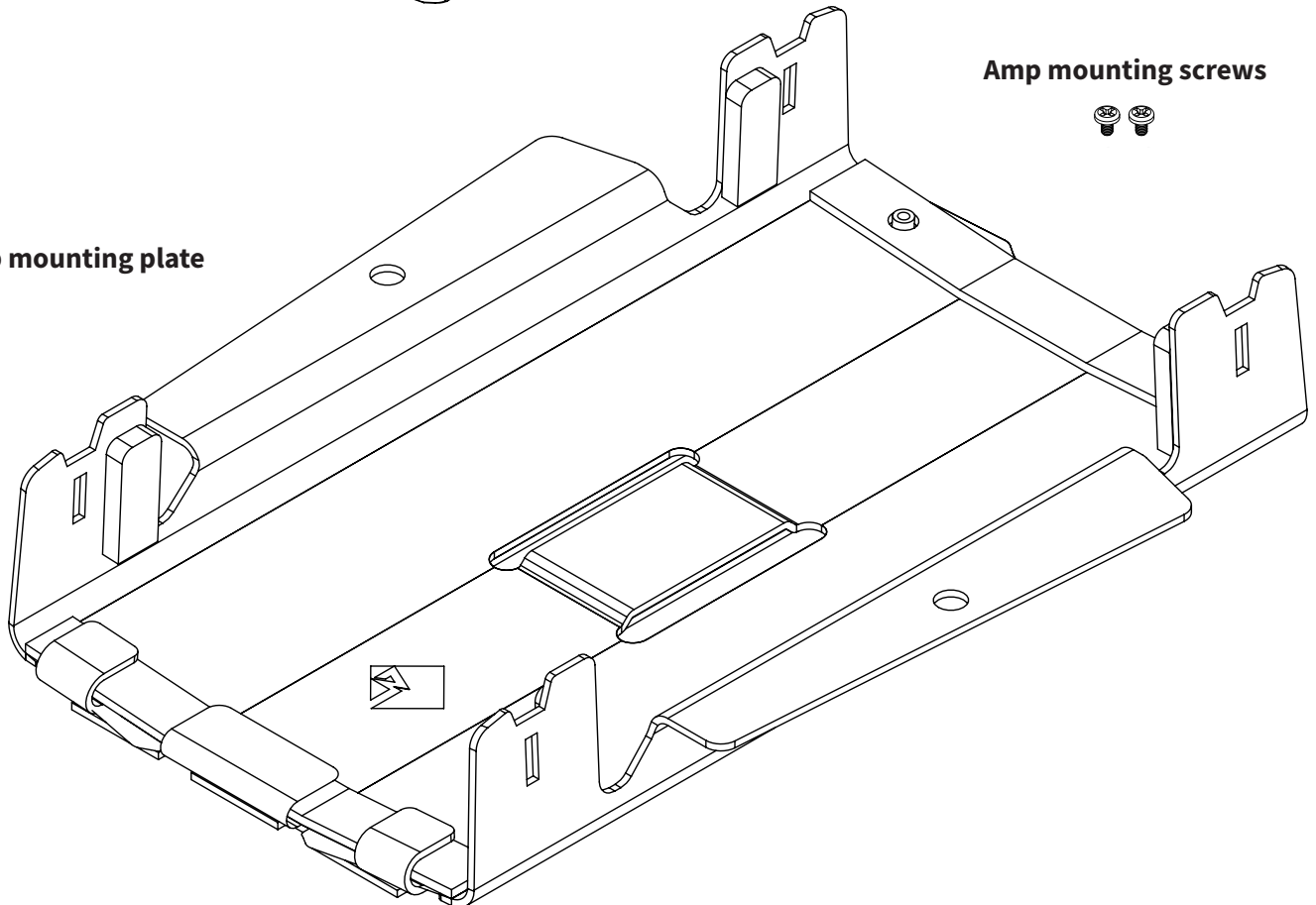
Clutch side cutting and drilling template



M5-800x4 amplifier



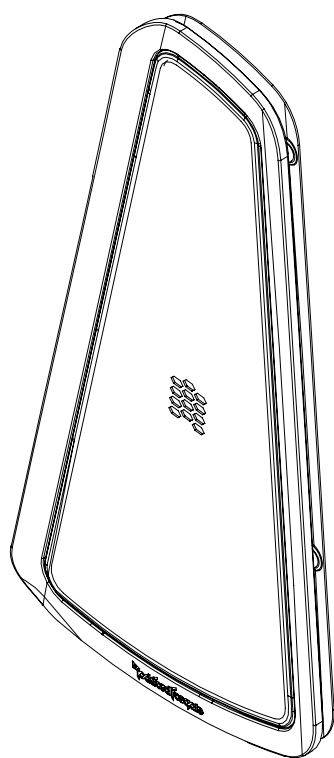
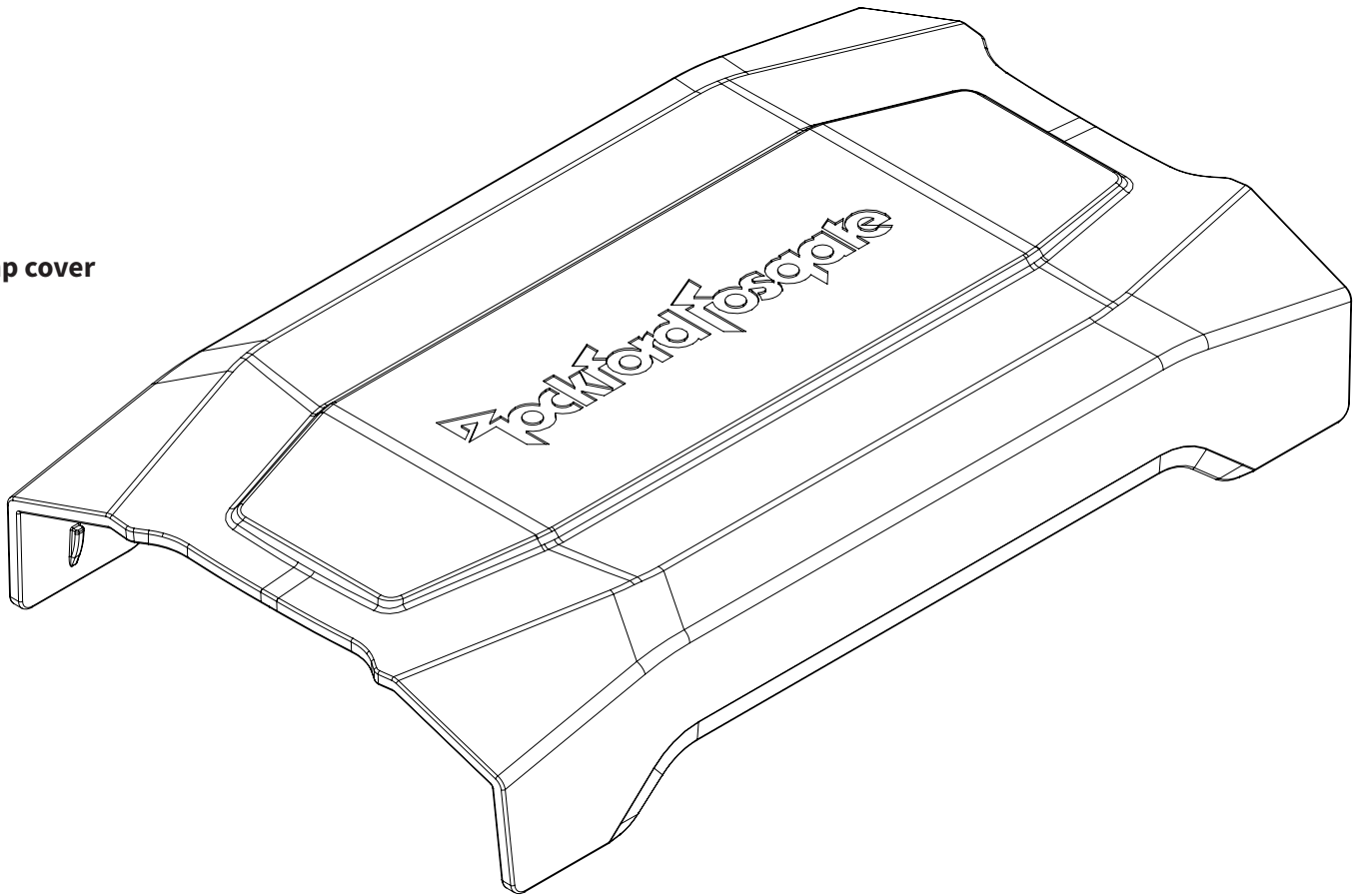
Amp mounting plate



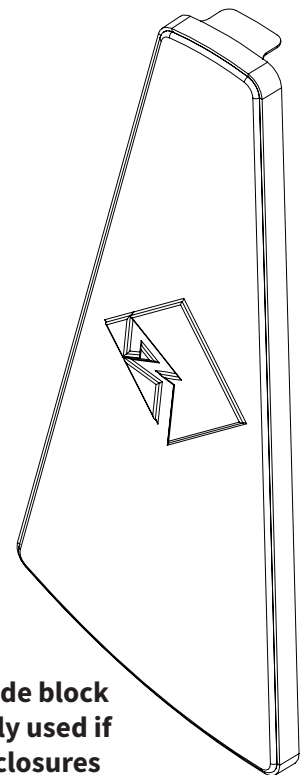
Amp mounting screws



Amp cover

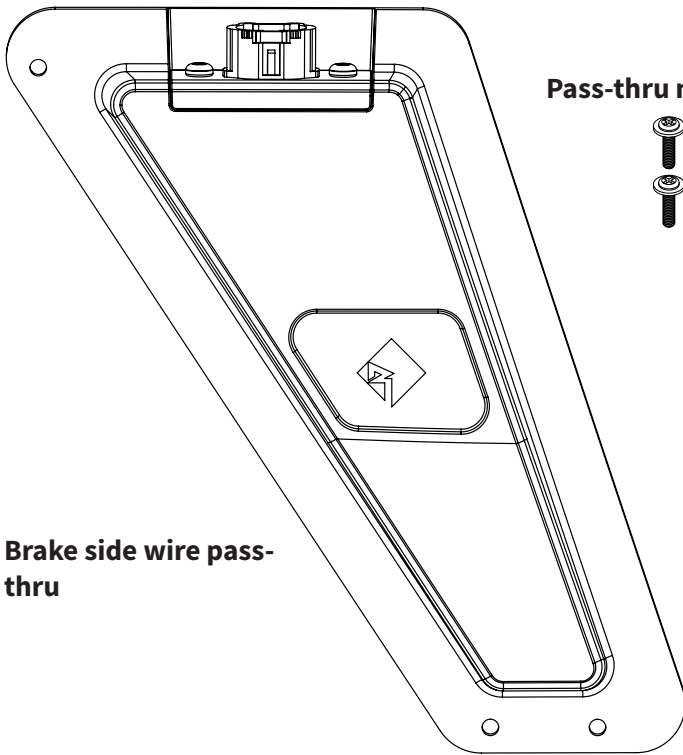


Brake and Clutch
side grill assembly
and screws



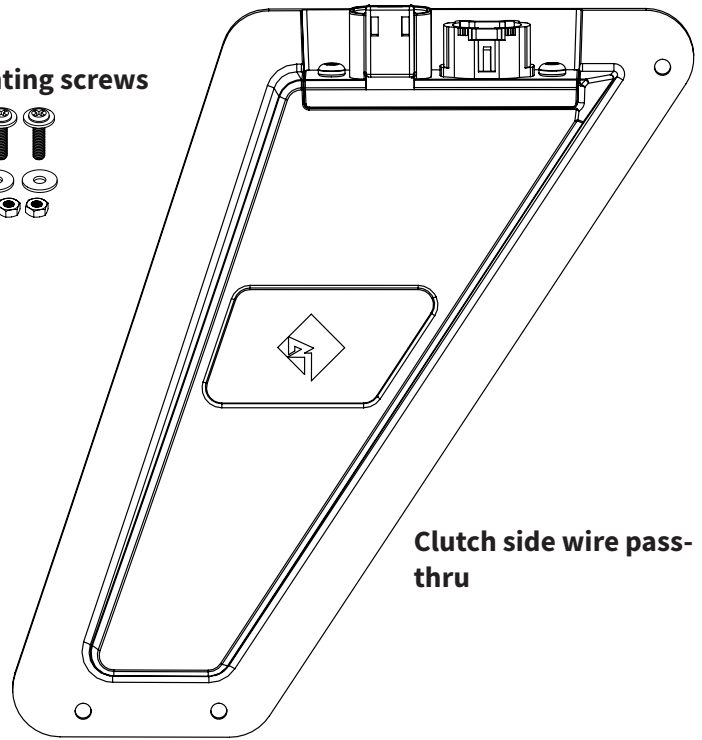
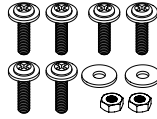
Brake and Clutch side block
off plate. This is only used if
you remove the enclosures

CONTENTS

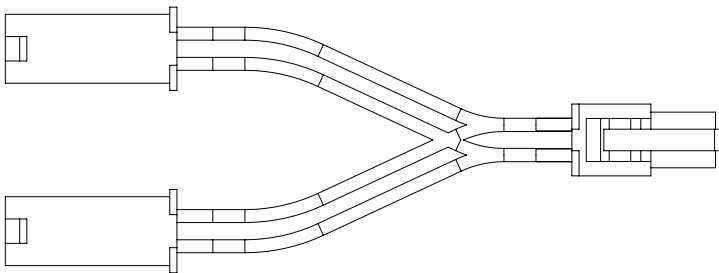


Brake side wire pass-thru

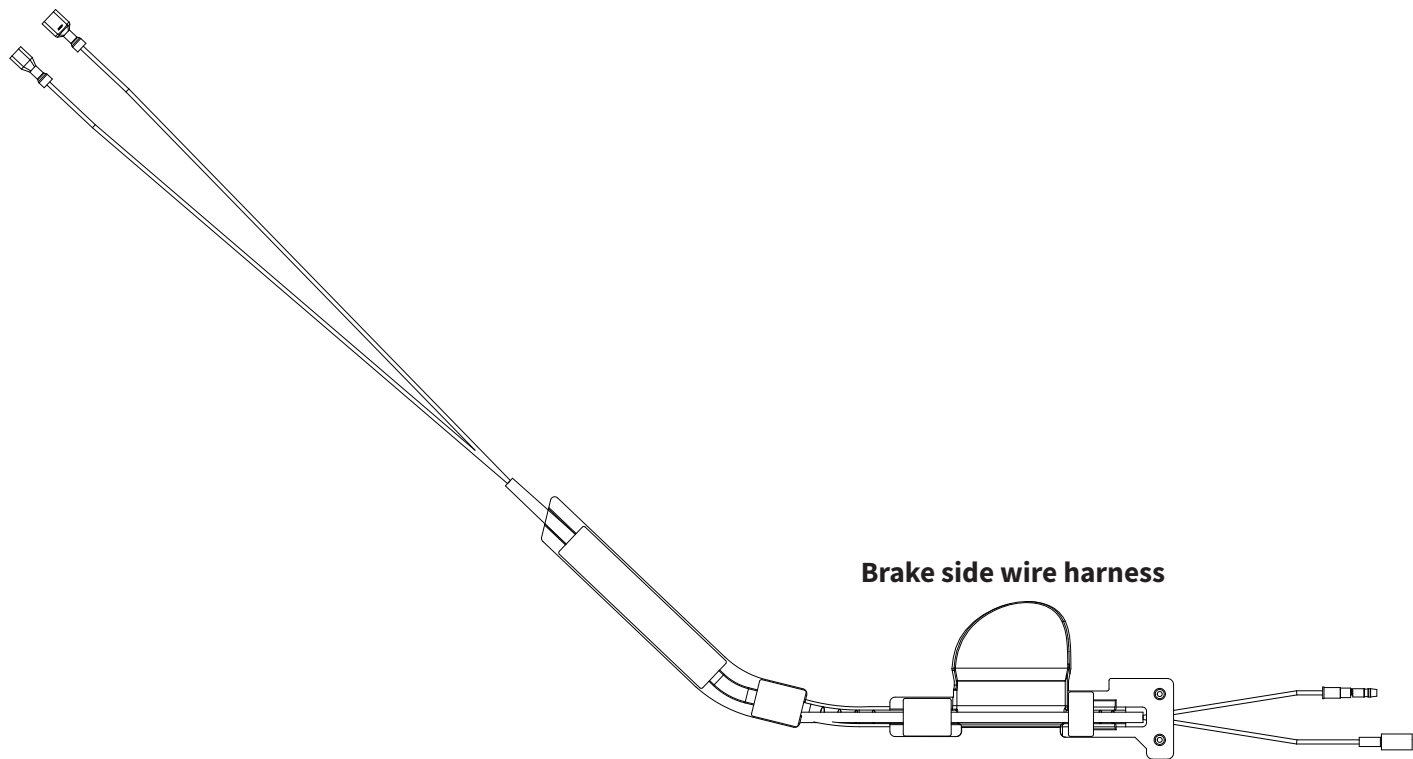
Pass-thru mounting screws



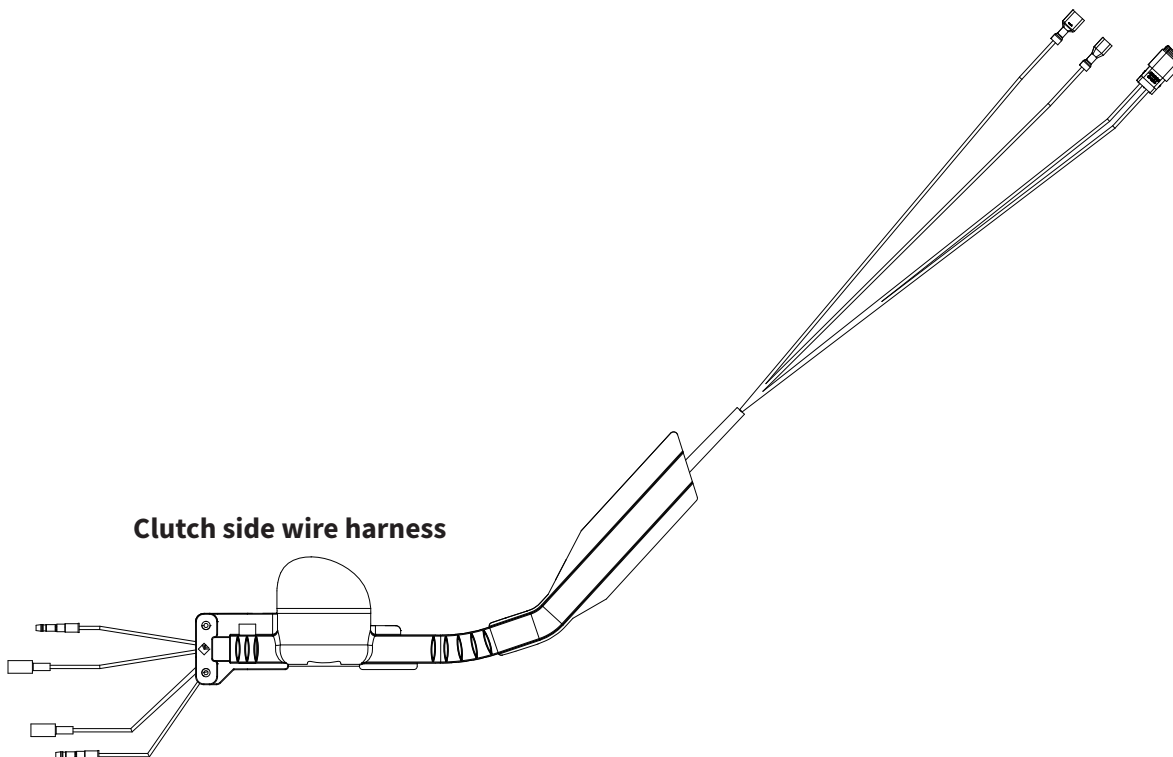
Clutch side wire pass-thru



Y-adaptor for fairing amp. This will allow you to get signal from your front amplifier to sub amplifier.



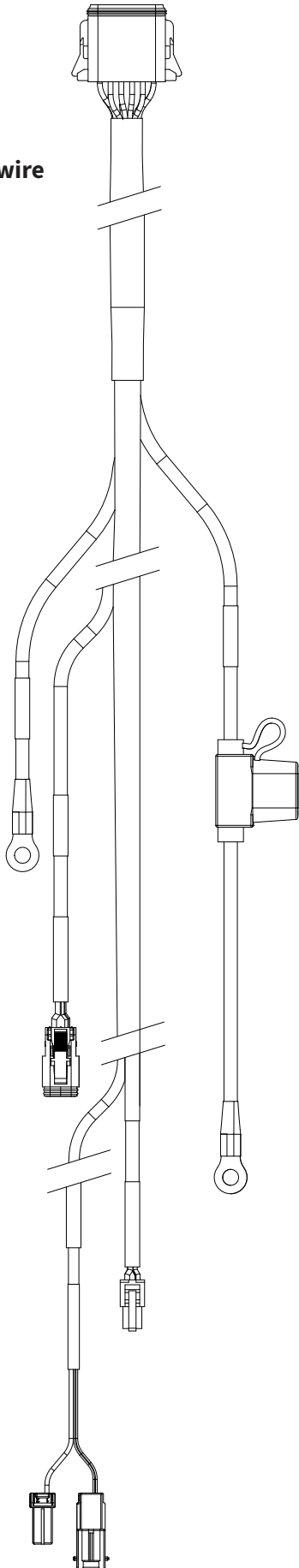
Brake side wire harness



Clutch side wire harness

CONTENTS

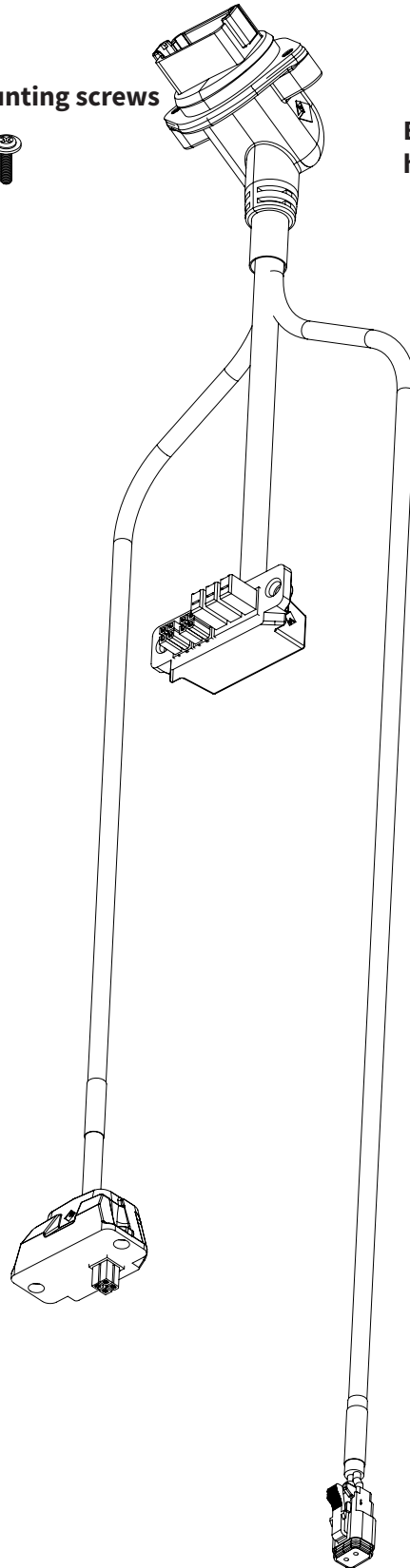
Bike side wire harness



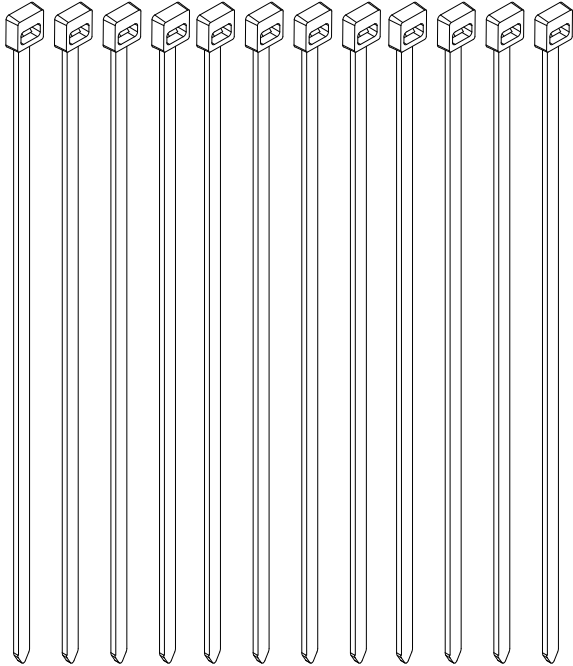
Bulk head mounting screws



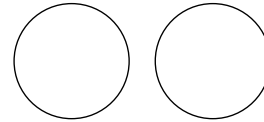
Bag side wire harness



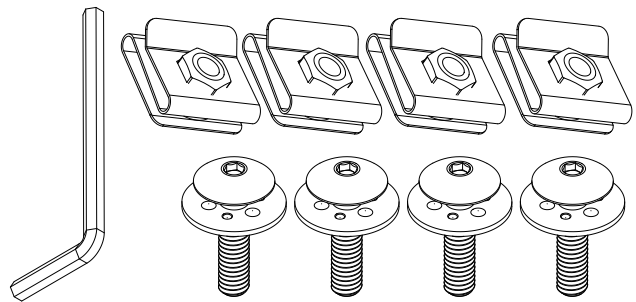
Zip ties



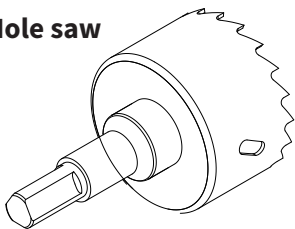
Wire harness hole block off



Saddle bag mounting bolts, clips and wrench



Hole saw



Rockford Corporation offers a limited warranty on Rockford Fosgate products on the following terms:

Length of Warranty

POWER Amplifiers – 2 Years
BMW® Direct Fit Speakers – 2 Years
PUNCH® & PRIME® Amplifiers – 1 Year
Speakers, Signal Processors, Accessories and Capacitors – 1 Year
All marine, motorcycle, motorsport products - 2 Years
Any Factory Refurbished Product – 90 Days (receipt required)

What is Covered

This warranty applies only to Rockford Fosgate products sold to consumers by authorized Rockford Fosgate dealers in the United States of America. Products purchased by consumers from an Authorized Rockford Fosgate Dealer in another country are covered only by that country's Distributor and not by Rockford Corporation.

Who is Covered

This warranty covers only the original purchaser of Rockford product purchased from an authorized Rockford Fosgate dealer in the United States. In order to receive service, the purchaser must provide Rockford with a copy of the receipt stating the customer name, dealer name, product purchased and date of purchase.

Products found to be defective during the warranty period will be repaired or replaced (with a product deemed to be equivalent) at Rockford's discretion.

What is Not Covered

1. Damage caused by accident, abuse, improper installation, operations, theft, water (on non-Element Ready products).
2. Any cost or expense related to the removal or reinstallation of product.
3. Service performed by anyone other than Rockford or an authorized Rockford Fosgate service center.
4. Any product which has had the serial number defaced, altered, or removed.
5. Subsequent damage to other components.
6. Any product purchased outside the U.S.
7. Any product not purchased from an authorized Rockford Fosgate dealer. Refer to rockfordfosgate.com dealer locator for more detail.

Limit on Implied Warranties

Any implied warranties including warranties of fitness for use and merchantability are limited in duration to the period of the express warranty set forth above. Some states do not allow limitations on the length of an implied warranty, so this limitation may not apply. No person is authorized to assume for Rockford Fosgate any other liability in connection with the sale of the product.

How to Obtain Service

Please call 1-800-669-9899 for Rockford Customer Service. You must obtain an RA# (Return Authorization number) to return any product to Rockford Fosgate. You are responsible for shipment of product to Rockford.

EU Warranty

This product meets the current EU warranty requirements, see your Authorized dealer for details.

— Installation assistance available at: —

RFTECH

— www.rockfordfosgate.com/support —

07082021

1230-75412-01-C

Printed In China

600 South Rockford Drive • Tempe, Arizona 85281 United States
Direct: (480) 967-3565 • Toll Free: (800) 669-9899

rockfordfosgate.com



Rockford Fosgate®

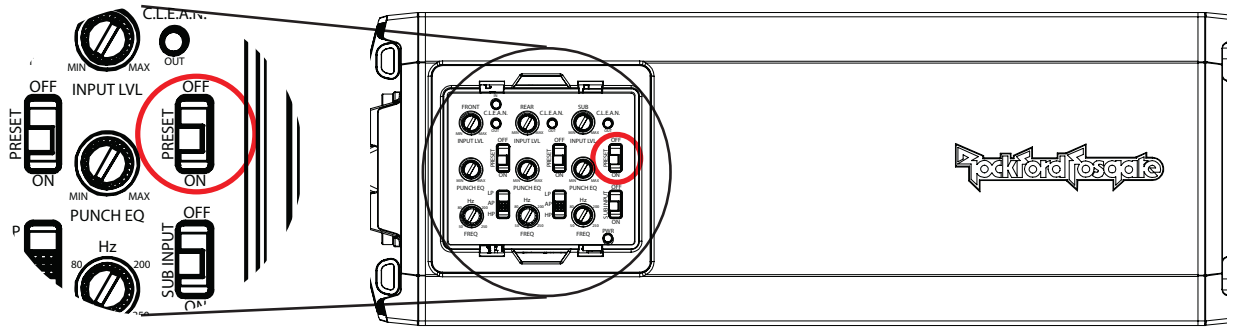
M5

**ELEMENT READY™
AMPLIFIERS**

M5-800X4

M5-1000X1

M5-1500X5



The PRESET switch disables the control panel and sets this amp for the best sound to be used with your ROCKFORD FOSGATE stage kit audio system. Turn the switch OFF to manually adjust this amp.

PRESET SETTINGS

M5-800X4

- Rockford Fosgate Stages 3 & 4 SXS kits
- Front Level - 1 O'Clock
- Rear Level - 3 O'Clock
- Front/Rear EQ - MIN
- Input Switch - 4CH*
- Front/Rear Crossover - 80Hz
- Front X-over Switch - HP
- Rear X-over Switch - LP

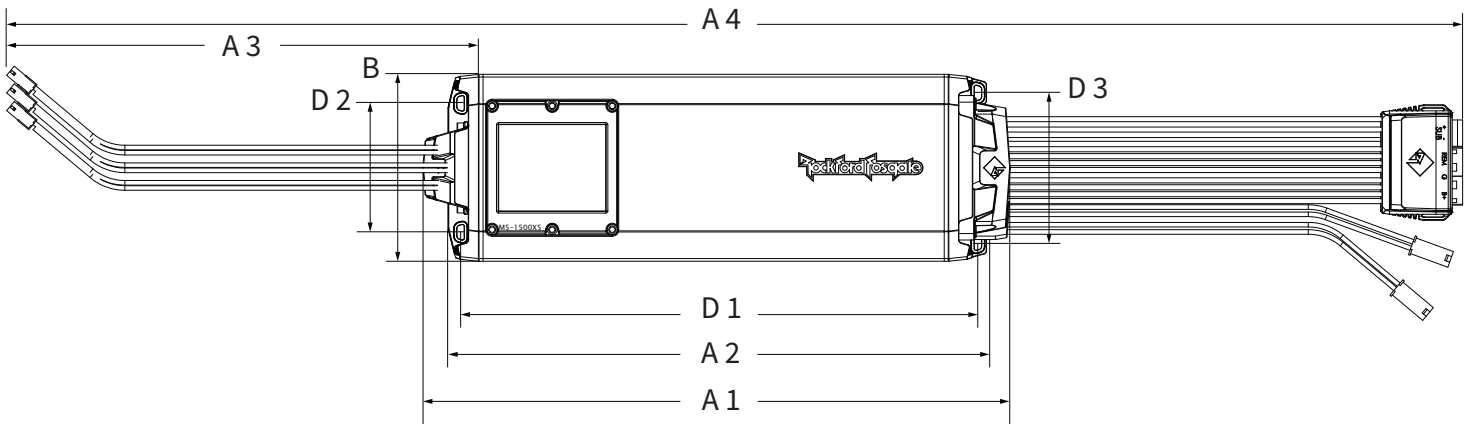
* Input switches are not controlled via preset switch.

M5-1000X1

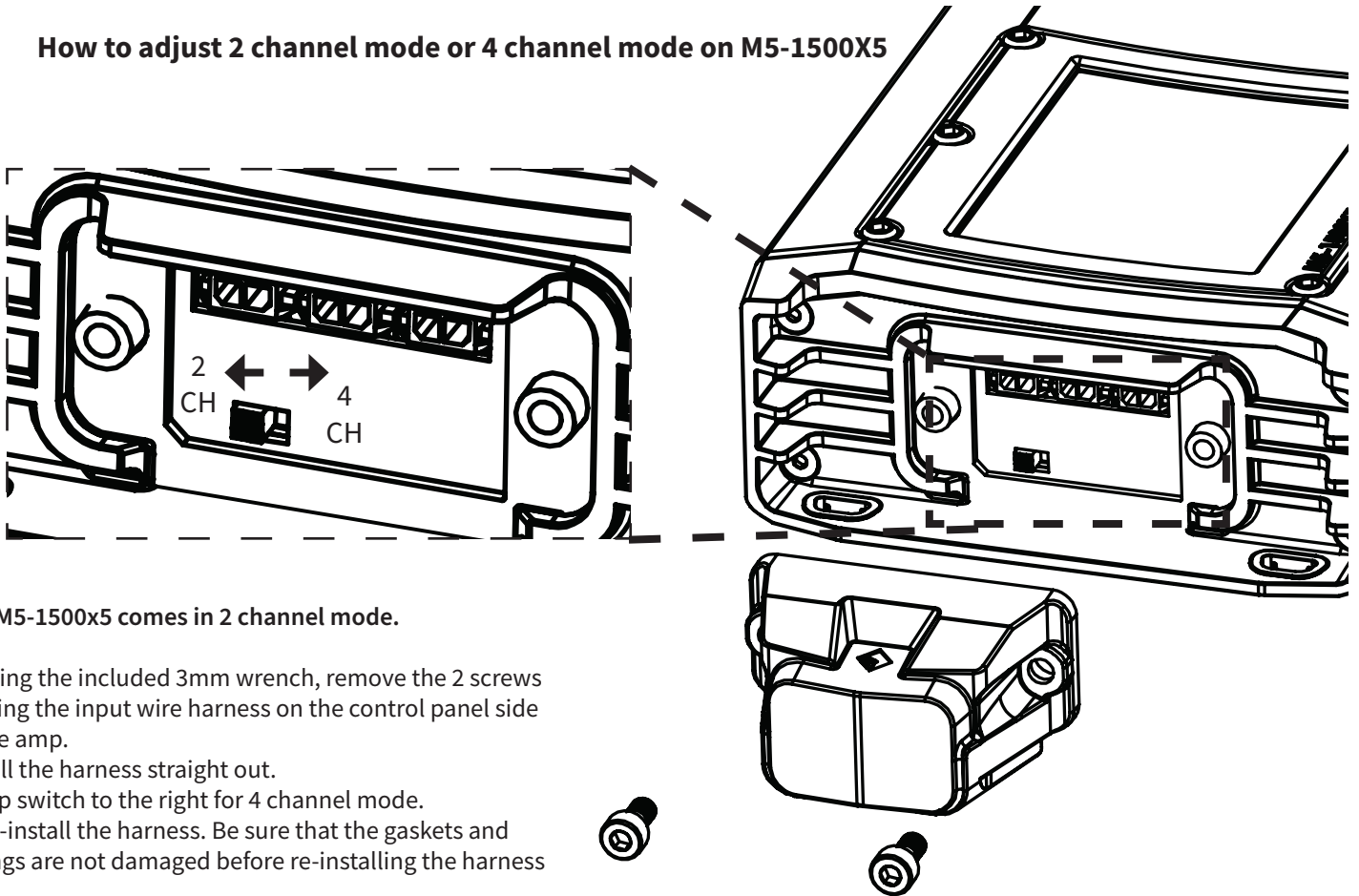
- Sub Level - 3 O'Clock
- Punch EQ - MIN
- Sub X-Over Switch - 80Hz

M5-1500X5

- Rockford Fosgate Stage 5 SXS kit
- Front /Rear Level - 1 O'Clock
- Sub Level - 3 O'Clock
- Front/Rear/Sub Punch EQ - MIN
- Front/Rear/Sub Crossover - 80Hz
- Front/Rear X-over Switch - HP
- Sub Input - ON*
- Input Switch - 2CH*



How to adjust 2 channel mode or 4 channel mode on M5-1500X5



The M5-1500x5 comes in 2 channel mode.

1. Using the included 3mm wrench, remove the 2 screws holding the input wire harness on the control panel side of the amp.
2. Pull the harness straight out.
3. Flip switch to the right for 4 channel mode.
4. Re-install the harness. Be sure that the gaskets and O-rings are not damaged before re-installing the harness

Model	M5-800X4	M5-1000X1	M5-1500X5
A1 - Overall Amplifier Length	9.7" (245.9mm)	9.7" (245.9mm)	13.4" (339.7mm)
A2 - Chassis Length	8.4" (213mm)	8.4" (213mm)	12.3" (311.4mm)
A3 - Harness Length (Input/Output are the same length)	12" (304.8mm)	12" (304.8mm)	12" (304.8mm)
A4 - Total Length of Amplifier	33.7" (855.5mm)	33.7" (855.5mm)	37.4" (949.3mm)
B - Chassis Width	4.25" (108.1mm)	4.25" (108.1mm)	4.25" (108.1mm)
C - Chassis Height	1.7" (42.7mm)	1.7" (42.7mm)	1.7" (42.7mm)
D1 - Mounting Length	7.8" (198.7mm)	7.8" (198.7mm)	11.8" (299.2mm)
D2 - Mounting Width	2.9" (74.5mm)	2.9" (74.5mm)	2.9" (74.5mm)
D3 - Mounting Width (Input side, M5-1500X5 ONLY)	N/A	N/A	3.4" (86.5mm)

Specifications

Model	M5-800X4	M5-1000X1	M5-1500X5
CTA-2006 Dynamic Power* Rating	125W x 4 @ 40hm 200W x 4 @ 20hm 400W x 2 @ 40hm Bridged	600W x 1 @ 40hm 900W x 1 @ 20hm 1000W x 1 @ 10hm	125W x 4/ 400W x 1 @ 40hm 200W x 4/ 700W x 1 @ 20hm 700W x 1 @ 10hm (Sub Only) 400W x2 @ 4-Ohms Bridged
CTA-2006 Continuous Power Rating	100W x4 @ 4-Ohm 100W x4 @ 2-Ohm 200W x 2 @ 40hm Bridged	500W x 1 @ 4-Ohm 750W x 1 @ 2-Ohm 750W x 1 @ 1-Ohm	100W x 4/ 400W x 1 @ 4-Ohm 100W x 4/ 600W x 1 @ 2-Ohm 600W x 1 @ 1-Ohm (Sub Only)
THD @ Rated Power	<1.0%	<1.0%	<1.0%
Signal to Noise Ratio	>105dB	>110dB	>105dB 4CH/ >85dB Sub
Frequency Response	10Hz - 50kHz +/- 1dB	30Hz-245Hz +/- 1dB	10Hz - 50kHz +/- 1dB
MIN/MAX Input Voltage	150mV -12Vrms	150mV -12Vrms	150mV -12Vrms
Low-pass Crossover Freq.	50-250Hz @12dB Per Octave	50-250Hz @12dB Per Octave	50-250Hz @12dB Per Octave
High-pass Crossover Freq.	50-250Hz @12dB Per Octave	N/A	50-250Hz @12dB Per Octave
Infra-sonic Freq.	N/A	30Hz @ 12dB Per Octave	30Hz @ 12dB Per Octave
Punch EQ	YES	YES	YES
Signal Sense/DC Offset Turn On	YES	YES	YES
Power Connections	8 AWG	8 AWG	4 AWG
Fused Rating	100A	120A	200A
Operating Voltage Range	9-16VDC	9-16VDC	9-16VDC
Topology / Class	ad	bd	Front/Rear ad/ SUB bd
IP Rating	IPX6 (Water spray)	IPX6 (Water spray)	IPX6 (Water spray)
Warranty	2 YEAR	2 YEAR	2 YEAR

***Dynamic Power indicates actual, usable power delivered by the amplifier to the speakers when listening to music. Dynamic power ratings are based on CTA-2006 industry standards. Dynamic power has been provided to indicate the actual RMS power output performance of the amplifier in the real world.**

What is the IPX6 testing method? It is the rating given after passing the testing method to show that this product will withstand water ingress of the given test. Here is the breakdown of everything needed for testing of the IPX6 rating.
A 0.5" (12.5mm) nozzle with 15 psi (100 kPa) outputting 100 liters per min of water from a distance of 9.8' (3 meters) from all directions for at least 3 minutes.



CTA 2006

Power ratings on Rockford Fosgate amplifiers conform to CTA-2006 industry standards. These guidelines mean your amplifier's output power ratings are REAL POWER numbers, not inflated marketing ratings.

Warranty Information

Rockford Corporation offers a limited warranty on Rockford Fosgate products on the following terms:

Length of Warranty

POWER Amplifiers – 2 Years

BMW® Direct Fit Speakers – 2 Years

PUNCH® & PRIME® Amplifiers – 1 Year

Speakers, Signal Processors, Accessories and Capacitors – 1 Year

All marine, motorcycle, motorsport products - 2 Years

Any Factory Refurbished Product – 90 Days (receipt required)

What is Covered

This warranty applies only to Rockford Fosgate products sold to consumers by authorized Rockford Fosgate dealers in the United States of America. Products purchased by consumers from an Authorized Rockford Fosgate Dealer in another country are covered only by that country's Distributor and not by Rockford Corporation.

Who is Covered

This warranty covers only the original purchaser of Rockford product purchased from an authorized Rockford Fosgate dealer in the United States. In order to receive service, the purchaser must provide Rockford with a copy of the receipt stating the customer name, dealer name, product purchased and date of purchase.

Products found to be defective during the warranty period will be repaired or replaced (with a product deemed to be equivalent) at Rockford's discretion.

What is Not Covered

Damage caused by accident, abuse, improper installation, operations, theft, water (on non-Element Ready products).

Any cost or expense related to the removal or re-installation of product.

Service performed by anyone other than Rockford or an authorized Rockford Fosgate service center.

Any product which has had the serial number defaced, altered, or removed.

Subsequent damage to other components.

Any product purchased outside the U.S.

Any product not purchased from an authorized Rockford Fosgate dealer. Refer to rockfordfosgate.com dealer locator for more detail.

Limit on Implied Warranties

Any implied warranties including warranties of fitness for use and merchantability are limited in duration to the period of the express warranty set forth above. Some states do not allow limitations on the length of an implied warranty, so this limitation may not apply. No person is authorized to assume for Rockford Fosgate any other liability in connection with the sale of the product.

How to Obtain Service

Please call 1-800-669-9899 for Rockford Customer Service. You must obtain an RA# (Return Authorization number) to return any product to Rockford Fosgate. You are responsible for shipment of product to Rockford.

EU Warranty

This product meets the current EU warranty requirements, see your Authorized dealer for details.

2014 or NEWER Harley-Davidson®

M5-800X4 Amplifier Tuning

HD14-SBSUB Saddlebag Subwoofer Kit



MOTORCYCLE AUDIO

#ROCKFORDFOSGATE



Boom!™Box
Standard 4.3



Boom!™Box
Premium 6.5GT



Boom!™Box
Premium GTS



RADIO FLASH REQUIRED

"Rockford Fosgate Tune 2014+ All Models"

REMOTE TURN-ON REQUIRED

use turn-on from brake side

REAR INPUT LEVEL: 02:00

Matches amplifier input to radio's output. Tells amp where to "clip."

FRONT INPUT LEVEL: 02:00

Matches amplifier input to radio's output. Tells amp where to "clip."

PUNCH EQ: MIN

Used to compensate for acoustical deficiencies in automotive interiors. Not used on motorcycles.

INPUT SWITCH: 2CH

Number of inputs to feed amplifier. Set to require only 2 inputs to feed all 4 amplifier channels.

CROSSOVER FREQUENCY: 80Hz

The crossover's cutoff frequency. Set to allow only low frequencies to pass to subwoofers (works with HP/AP/LP switch.)

PRESET SWITCH: OFF

Used only for Motorsport (SXS) setups. Not used on motorcycles.

CROSSOVER SWITCH: LP (Low-Pass)

Allows crossover to work in High-Pass, Low-Pass or All-Pass (bypass). Set to allow only low frequencies to pass to subwoofers (works with crossover frequency dial.)





Are You Engineered to Rock?

Get a One-Year Extended Warranty when you use a matching Rockford Fosgate Amplifier Installation kit with your Amplifier!

We want you to get the performance and reliability that made Rockford Fosgate Amplifiers famous. Using poor-quality, under-spec wiring is a guaranteed way to get less from your system than you paid.

We are so confident in the difference the correct wire and cables make, that we offer an additional 1-year warranty on your amplifier when you purchase the matching installation kit. See your dealer to determine the correct kit for your amplifier.

One warranty extension per amplifier regardless of the number of installation kits purchased. Amplifier and installation kit must be purchased at the same time and show on the same receipt.

What is Covered

This warranty applies only to Rockford Fosgate products sold to consumers by Authorized Rockford Fosgate Dealers in the United States of America or its possessions. Product purchased by consumers from an Authorized Rockford Fosgate Dealer in another country are covered only by that country's Distributor and not by Rockford Corporation.

Who is Covered

This warranty covers only the original purchaser of Rockford product purchased from an Authorized Rockford Fosgate Dealer in the United States. In order to receive service, the purchaser must provide Rockford with a copy of the receipt stating the customer name, dealer name, product purchased and date of purchase. Products found to be defective during the warranty period will be repaired or replaced (with a product deemed to be equivalent) at Rockford's discretion.

What is Not Covered

1. Damage caused by accident, abuse, improper operations, water, theft, shipping
2. Any cost or expense related to the removal or reinstallation of product
3. Service performed by anyone other than Rockford or an Authorized Rockford Fosgate Service Center
4. Any product which has had the serial number defaced, altered, or removed
5. Subsequent damage to other components
6. Any product purchased outside the U.S.
7. Any product not purchased from an Authorized Rockford Fosgate Dealer

Limit on Implied Warranties

Any implied warranties including warranties of fitness for use and merchantability are limited in duration to the period of the express warranty set forth above. Some states do not allow limitations on the length of an implied warranty, so this limitation may not apply. No person is authorized to assume for Rockford Fosgate any other liability in connection with the sale of the product.

How to Obtain Service Under the Extended Warranty Program

The amplifier must be returned by the customer (you) or an authorized Rockford Fosgate retailer with a copy of the original receipt and the ORIGINAL Performance Verification Certificate. For assistance, contact your Authorized Rockford Fosgate Dealer or go to rockfordfosgate.com/support and complete the warranty form. You can also reach out to Customer Support at 1-800-669-9899.

EU Warranty

This product meets the current EU warranty requirements, see your Authorized dealer for details. "This Additional One-Year Warranty" is only available where allowed under local laws.

Attach Amplifier Installation Kit
Serial Number or UPC Code from original
packaging here.

CERTIFICATE OF PERFORMANCE VERIFICATION



Model #: M5-800X4 **Serial #:** 0000404715-71 **Birth Date:** 3/25/2021 **Test System:** RF-RATS-8

SYSTEM OPERATION	Idle Current Measure Current Draw at Idle					System Voltage Check System Reference Voltages				
	A PASS					V1 4.899 V2 N/A				
	Bias Set Output Channel Bias					High Rail Voltage Check Amplifier Rail Voltages				
	CH1 N/A CH2 N/A CH3 N/A CH4 N/A					V1 39.98 V2 -39.64 V3 N/A				
	DC Offset Check for No DC Voltage on Outputs					Low Rail Voltage Check Amplifier Rail Voltages				
	CH1 .016 CH2 -.020 CH3 .001 CH4 -.000 CH5 N/A					V1 15.34 V2 -15.52				
SYSTEM OPERATION	Dark Current Current Draw < 100uA					Gain Tracking Check Gain Tracking Between Channels (dB)				
	A PASS					CH1 0.201 CH2 0.201 CH3 0.072 CH4 0.072				

SIGNAL	Common Mode Rejection 20Hz-20kHz Sweep @ 1W RMS Power					Signal to Noise Ratio Rated 20Hz-20kHz Sweep @ Rated RMS Power				
	CH1 PASS CH2 PASS CH3 PASS CH4 PASS CH5 N/A					CH1 PASS CH2 PASS CH3 PASS CH4 PASS CH5 N/A				
	High Pass Crossover Check 20Hz-20kHz Sweep @ 1W RMS Power					Low Pass Crossover & Punch EQ Check 20Hz-20kHz Sweep @ 1W RMS Power				
	CH1 PASS CH2 PASS CH3 PASS CH4 PASS CH5 N/A					CH1 PASS CH2 PASS CH3 PASS CH4 PASS CH5 N/A				
SIGNAL	Total Harmonic Distortion 20Hz-20kHz Sweep @ 1W RMS Power (%)					Total Harmonic Distortion @ Rated 20Hz-20kHz Sweep @ Rated RMS Power (%)				
	CH1 0.056 CH2 0.056 CH3 0.075 CH4 0.082 CH5 N/A					CH1 0.277 CH2 0.216 CH3 0.213 CH4 0.201 CH5 N/A				

POWER	Continuous Power RMS Power @ 1% THD (1kHz Full Range/100Hz Sub)					Total Continuous Power Total RMS Power @ 1% THD				
	CH1 153 CH2 153 CH3 152 CH4 152 CH5 N/A					611 Watts				
	Continuous Power Load Impedance									
CH1 2-Ohm CH2 2-Ohm CH3 2-Ohm CH4 2-Ohm CH5 N/A										

RMS

What is Dynamic RMS Power? The Dynamic power rating specifies the amount of power the amplifier is capable of delivering to the speaker while playing music.

What is Continuous RMS Power? The continuous power rating specifies the amount of power the amplifier is capable of delivering to a resistive load playing sine waves continuously until 1% THD has been achieved.

Why is Dynamic RMS Power Important? Both dynamic and continuous power ratings are derived from the industry leading testing standard CTA-2006-B, "Testing & Measurements Methods for Mobile Audio Amplifiers." Dynamic power ratings have been provided to show the true real-world output power capability of the amplifier. Both are RMS power ratings and should not be confused with peak power ratings.

How does Dynamic differ from Peak Power? Dynamic power is considered usable amplifier power, while peak power is not considered usable due to the very limited amount of time peak power presents itself to the speaker. Although peak ratings are a larger number when compared to RMS, peak power does not represent the amplifiers true usable output power capability. For this reason, Rockford Fosgate does not advertise peak power ratings.

CTA

What is the CTA testing standard? ANSI/CTA-2006-C defines characteristics that, considered collectively, describe the performance of Power Amplifiers designed for In-Vehicle applications. Power Amplifiers designed for In-Vehicle applications include, but are not limited to; separate single and multi-channel amplifiers, Integrated Amplifiers and bandwidth-limited amplifiers that are connected to and rely solely on the vehicle's primary electrical system for power input and have output power ratings of greater than 5W when measured in accordance with ANSI/CTA-2006-C.

POWER	Dynamic Power RMS Power @ 1% THD					Total Dynamic Power Total RMS Power @ 1% THD				
	CH1 257 CH2 257 CH3 256 CH4 256 CH5 N/A					1026 Watts				
	Dynamic Power Load Impedance									
CH1 2-Ohm CH2 2-Ohm CH3 2-Ohm CH4 2-Ohm CH5 N/A										





Rockford Fosgate®



THANK YOU FOR YOUR ORDER AND CONTINUED SUPPORT OF ROCKFORD FOSGATE!

IF YOU WANT TO SPREAD THE MESSAGE ABOUT HOW MUCH YOU LIKE YOUR NEW PRODUCT, FEEL FREE TO...



TELL YOUR FRIENDS AND FAMILY



SHARE YOUR NEW GEAR ON SOCIAL MEDIA



WRITE A REVIEW ON OUR WEBSITE OR AMAZON

IF YOUR ORDER IS INCORRECT OR HAVE ANY QUESTIONS REGARDING YOUR ORDER, GET IN TOUCH...



CALL US AT: 1.800.669.9899



LIVE CHAT: WWW.ROCKFORDFOSGATE.COM



EMAIL US: WWW.ROCKFORDFOSGATE.COM/SUPPORT



#ROCKFORDFOSGATE | ROCKFORDFOSGATE.COM