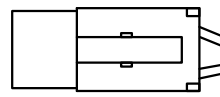


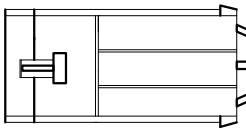
Each *Dotted* outlined area are all of the parts included in the kit.  
 Each kit also includes the main wire harness from the previous page.

Connect to Main Wire Harness

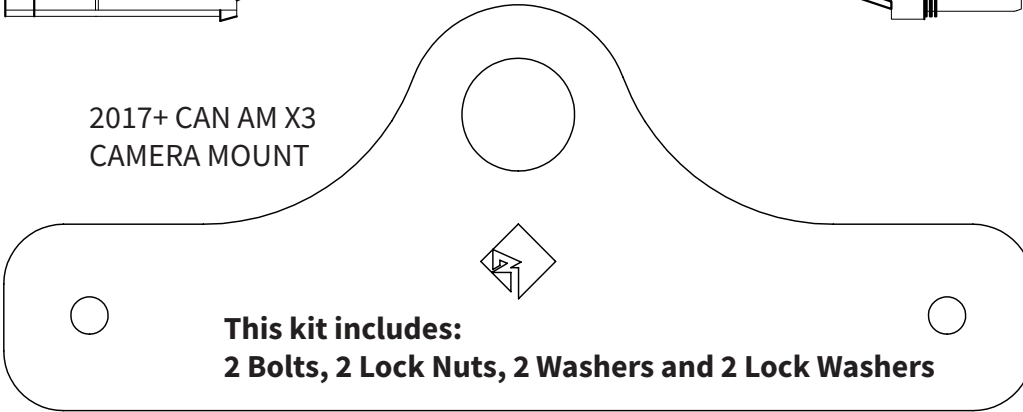


**MX-CAM-X317**

T-harness for left tail light

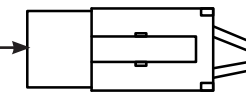


2017+ CAN AM X3  
CAMERA MOUNT



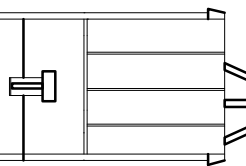
**This kit includes:  
 2 Bolts, 2 Lock Nuts, 2 Washers and 2 Lock Washers**

Connect to Main Wire Harness

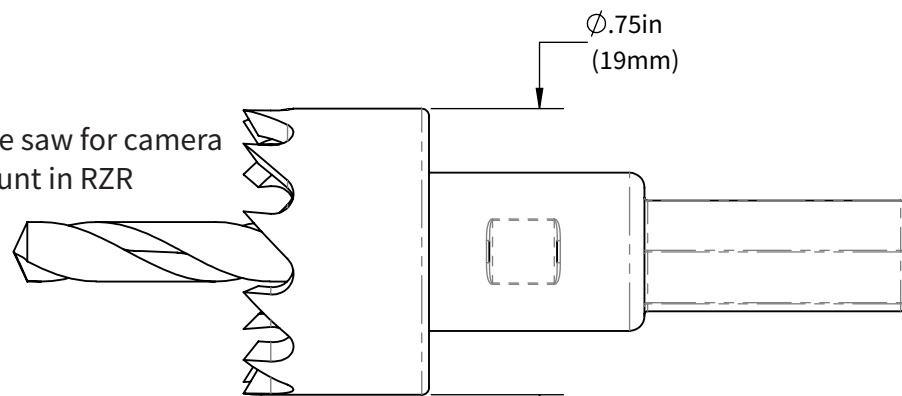


**MX-CAM-RZR14**

T-harness for left tail light

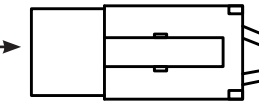


Hole saw for camera mount in RZR



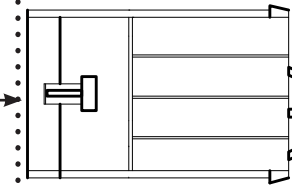
This kit includes 2 options for mounting brackets. The correct bracket for your vehicle will depend on which options you have and which exhaust system you have.

Connect to Main Wire Harness

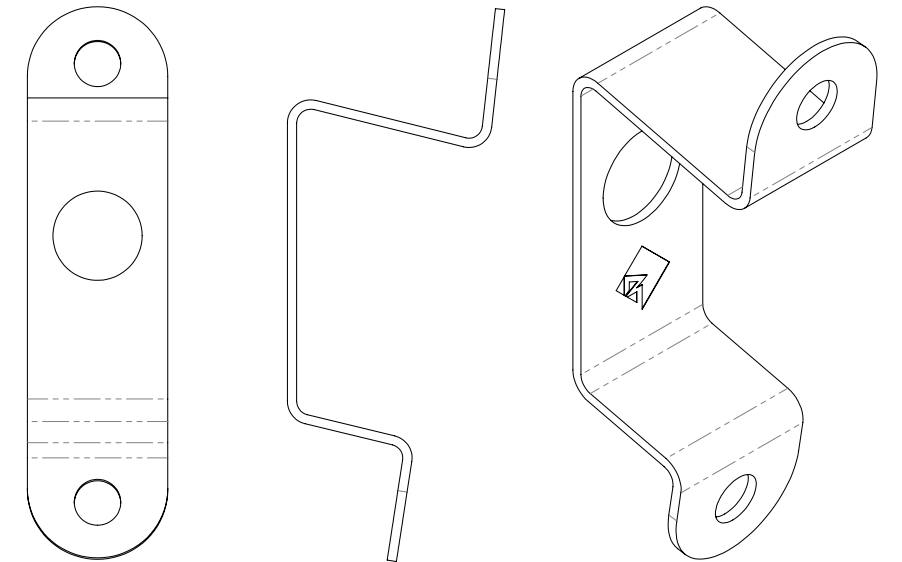


**MX-CAM-RNGR18**

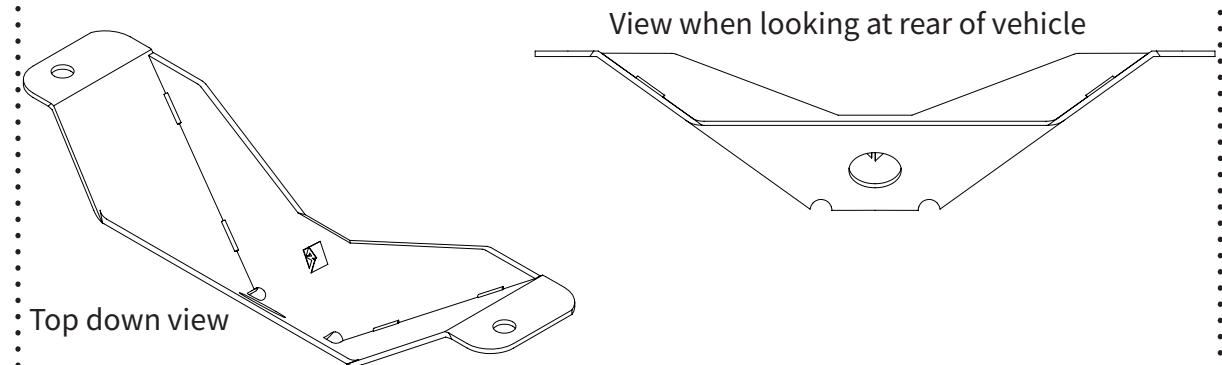
T-harness for left tail light



2018+ POLARIS RANGER CAMERA BRACKET 1



2018+ POLARIS RANGER CAMERA BRACKET 2



**This kit also includes 2 stainless screws to mount the above camera mount**

# Warranty Information

Rockford Corporation offers a limited warranty on Rockford Fosgate products on the following terms:

- Length of Warranty**
- **POWER Amplifiers - 2 Years**
  - **BMW® Direct Fit Speakers - 2 Years**
  - **PUNCH® & PRIME® Amplifiers - 1 Year**
  - **Speakers, Signal Processors, Accessories and Capacitors - 1 Year**
  - **All marine, motorcycle, motorsport products - 2 Years**
  - **Any Factory Refurbished Product - 90 Days (receipt required)**

**What is Covered**

This warranty applies only to Rockford Fosgate products sold to consumers by authorized Rockford Fosgate dealers in the United States of America. Products purchased by consumers from an Authorized Rockford Fosgate Dealer in another country are covered only by that country's Distributor and not by Rockford Corporation.

**Who is Covered**

This warranty covers only the original purchaser of Rockford product purchased from an authorized Rockford Fosgate dealer in the United States. In order to receive service, the purchaser must provide Rockford with a copy of the receipt stating the customer name, dealer name, product purchased and date of purchase. Products found to be defective during the warranty period will be repaired or replaced (with a product deemed to be equivalent) at Rockford's discretion.

**What is Not Covered**

- Damage caused by accident, abuse, improper installation, operations, theft, water (on non-Element Ready products).
- Any cost or expense related to the removal or re-installation of product.
- Service performed by anyone other than Rockford or an authorized Rockford Fosgate service center.
- Any product which has had the serial number defaced, altered, or removed.
- Subsequent damage to other components.
- Any product purchased outside the U.S.
- Any product not purchased from an authorized Rockford Fosgate dealer. Refer to [rockfordfosgate.com](http://rockfordfosgate.com) dealer locator for more detail.

**Limit on Implied Warranties**

Any implied warranties including warranties of fitness for use and merchantability are limited in duration to the period of the express warranty set forth above. Some states do not allow limitations on the length of an implied warranty, so this limitation may not apply. No person is authorized to assume for Rockford Fosgate any other liability in connection with the sale of the product.

**How to Obtain Service**

Please call 1-800-669-9899 for Rockford Customer Service. You must obtain an RA# (Return Authorization number) to return any product to Rockford Fosgate. You are responsible for shipment of product to Rockford.

**EU Warranty**

This product meets the current EU warranty requirements, see your Authorized dealer for details.

600 South Rockford Drive • Tempe, Arizona 85281 United States  
 Direct: (480) 967-3565 • Toll Free: (800) 669-9899  
[rockfordfosgate.com](http://rockfordfosgate.com)

Printed in China



**MOTORSPORTS CAMERA AND MOUNTS**

- MX-CAM**
- MX-CAM-RZR14**
- MX-CAM-X317**
- MX-CAM-RNGR18**

