

MOTO WAKE CANS

M1WL-65MB
M2WL-65MB



Introduction

Dear Customer,

Congratulations on your purchase of the world's finest brand of audio products. At Rockford Fosgate we are fanatics about musical reproduction at its best, and we are pleased you chose our product. Through years of engineering expertise, hand craftsmanship and critical testing procedures, we have created a wide range of products that reproduce music with all the clarity and richness you deserve.

For maximum performance we recommend you have your new Rockford Fosgate product installed by an Authorized Rockford Fosgate Dealer. Please read your warranty and retain your receipt and original carton for possible future use.

Great product and competent installations are only a piece of the puzzle when it comes to your system. Make sure that your installer is using 100% authentic installation accessories from Rockford Fosgate in your installation. Rockford Fosgate has everything from RCA cables and speaker wire to power wire and battery connectors. Insist on it! After all, your new system deserves nothing but the best.

To add the finishing touch to your new Rockford Fosgate image, order your Rockford accessories, which include everything from T-shirts to hats.

Visit our web site for the latest information on all Rockford products; www.rockfordfosgate.com or, in the U.S. call 1-800-669-9899 or FAX 1-800-398-3985. For all other countries, call +001-480-967-3565 or FAX +001-480-966-3983.

Table of Content

2	Introduction
3	Specifications
4-5	Diagrams
6	Wiring
	Installation Considerations
	Mounting
7-8	Additional Languages
	French
	Spanish
	German
	Italian
12	Limited Warranty Information

If, after reading your manual, you still have questions regarding this product, we recommend that you see your Rockford Fosgate dealer. If you need further assistance, you can call us direct at 1-800-669-9899. Be sure to have your serial number, model number and date of purchase available when you call.

Safety

This symbol with "WARNING" is intended to alert the user to the presence of important instructions. Failure to heed the instructions could result in severe injury or death.



WARNING

PRACTICE SAFE SOUND

Continuous exposure to sound pressure levels over 100dB may cause permanent hearing loss. High powered auto sound systems may produce sound pressure levels well over 130dB. Use common sense and practice safe sound.

PRATIQUEZ UNE ÉCOUTE SANS RISQUES

Une exposition continue à des niveaux de pression acoustique supérieurs à 100 dB peut causer une perte d'acuité auditive permanente. Les systèmes audio de forte puissance pour auto peuvent produire des niveaux de pression acoustique bien au-delà de 130 dB. Faites preuve de bon sens et pratiquez une écoute sans risques

PRACTIQUE EL SONIDO SEGURO

El contacto continuo con niveles de presión de sonido superiores a 100 dB puede causar la pérdida permanente de la audición. Los sistemas de sonido de alta potencia para automóviles pueden producir niveles de presión de sonido superiores a los 130 dB. Aplique el sentido común y practique el sonido seguro.

PRAKTIZIEREN SIE SICHEREN SOUND

Fortgesetzte Geräuschdruckpegel von über 100 dB können beim Menschen zu permanentem Hörverlust führen. Leistungsstarke Autosoundsysteme können Geräuschdruckpegel erzeugen, die weit über 130 dB liegen. Bitte wenden Sie gesunden Menschenverstand an und praktizieren Sie sicheren Sound.

OSSERVATE LE REGOLE DEL SUONO SENZA PERICOLI

La costante esposizione a livelli di pressione acustica al di sopra dei 100dB possono causare la perdita permanente dell'udito. I sistemi audio ad alta potenza possono produrre livelli di pressione acustica ben superiori ai 130dB. Si consiglia il buon senso e l'osservanza delle regole del suono senza pericoli

This symbol with "CAUTION" is intended to alert the user to the presence of important instructions. Failure to heed the instructions could result in injury or unit damage.



CAUTION

- To prevent injury and damage to the unit, please read and follow the instructions in this manual.
- If you feel unsure about installing this system yourself, have it installed by a qualified Rockford Fosgate technician.
- Before installation, disconnect the battery negative (-) terminal to prevent damage to the unit, fire and/or possible injury.

Model	M1WL-65MB	M2WL-65MB
Nominal Diameter - inch (mm)	6.5 (165mm)	6.5 (165mm)
Description	2-Way	2-Way
Nominal Impedance (Ohms)	4Ω	4Ω
Frequency Response (Hz)	38-22kHz	40-24kHz
Power Handling - Watts (RMS/Peak)	75/300	150/600
Sensitivity (2.83V/1M)	92dB	92dB
Grille/Trim Ring	YES (mounted)	YES (mounted)
LED Current Draw	.25 Amps	.25 Amps
Recommended Fused Rating	1 Amp	1 Amp
LED Voltage Range	9-16 Volts	9-16 Volts
Overall Speaker (A)	7.11" (180.5mm)	7.11" (180.5mm)
Bolt Diameter (B)	6.12" (155.5mm)	6.12" (155.5mm)
Overall Height (C)	9.57" (243.2mm)	9.57" (243.2mm)
Overall Length (D)	8.16" (207.3mm)	8.16" (207.3mm)

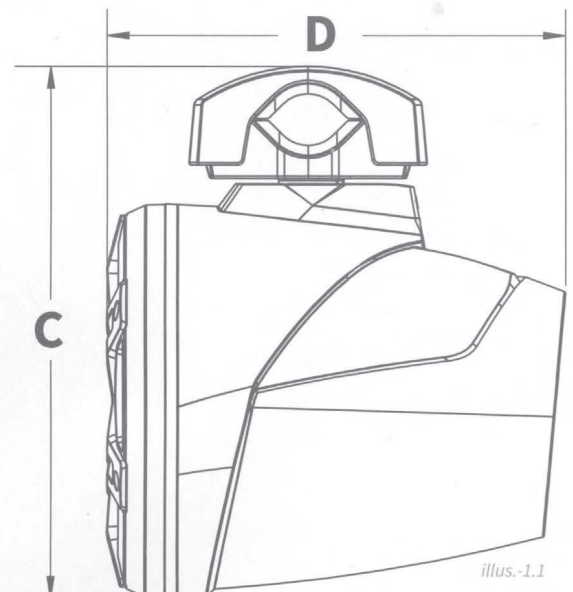
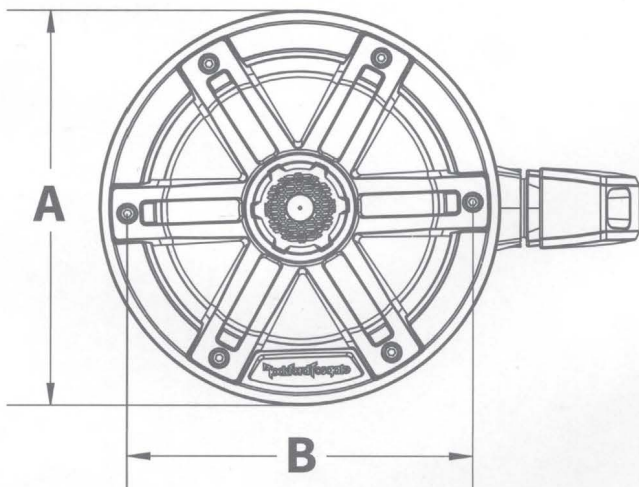
* Rockford Fosgate determines its rated frequency response range at -6 dB below its nominal sensitivity at upper and lower extents of a speaker's output.



VERIFIED WITH KLIPPEL

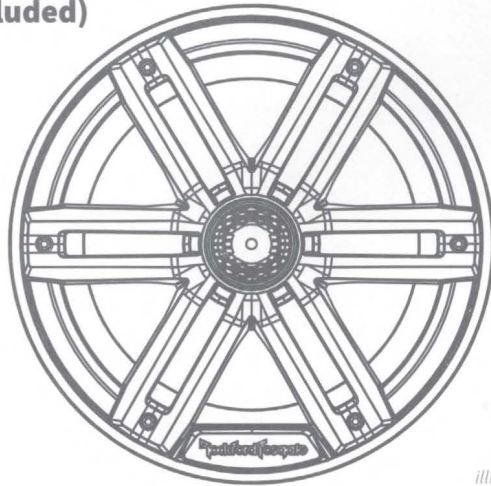
To adorn the 'Verified with Klippel' mark, the qualifying company's loudspeaker engineering personnel must be trained and certified by Klippel prior to using the three separate Klippel systems to design, develop and test. Rockford Fosgate has made the investment in Klippel to deliver the best possible speakers and subwoofers to their customers.

M1/M2 Moto Can Dimensions

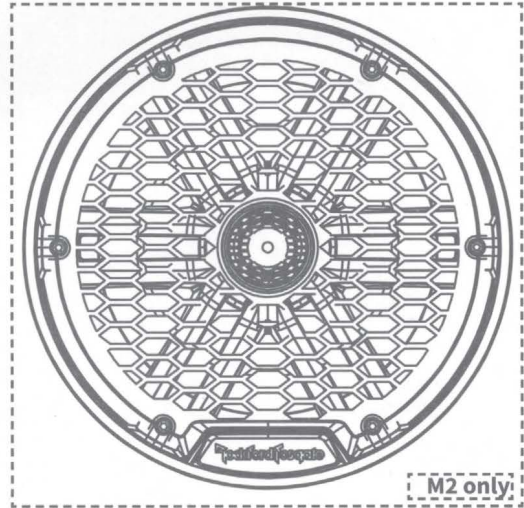


illus.-1.1

Grill Options (Included)

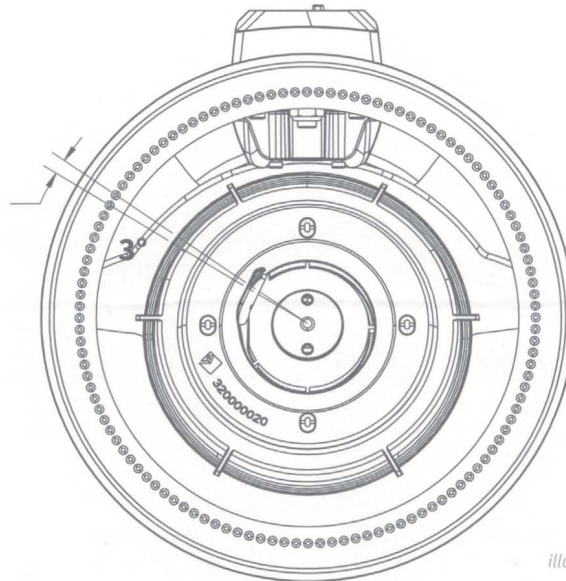


illus.-2.1



M2 only

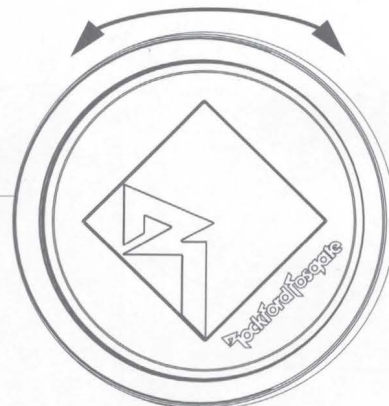
Speaker Adjustment



illus.-3.1

Remove the speaker to reveal the multi-point mounting option to make sure your speaker is mounted correctly. No matter what direction the speaker is mounted, it should always look like the image above.

Rear Medallion Rotation

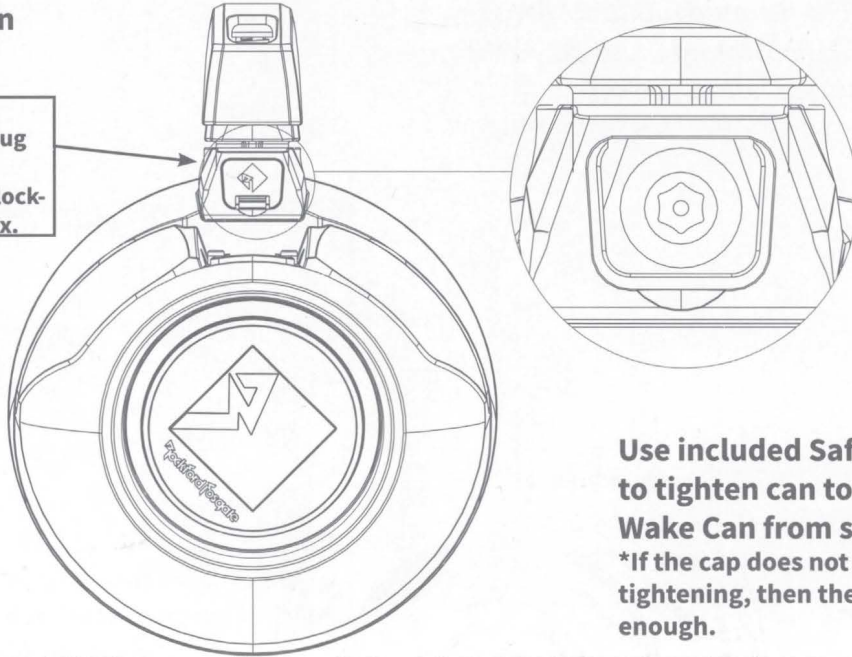


illus.-3.2

Rotate Medallion to look like image after mounting Wake Cans
The bottom of the Diamond R should be down like the image when mounted

Rotation Lock-down

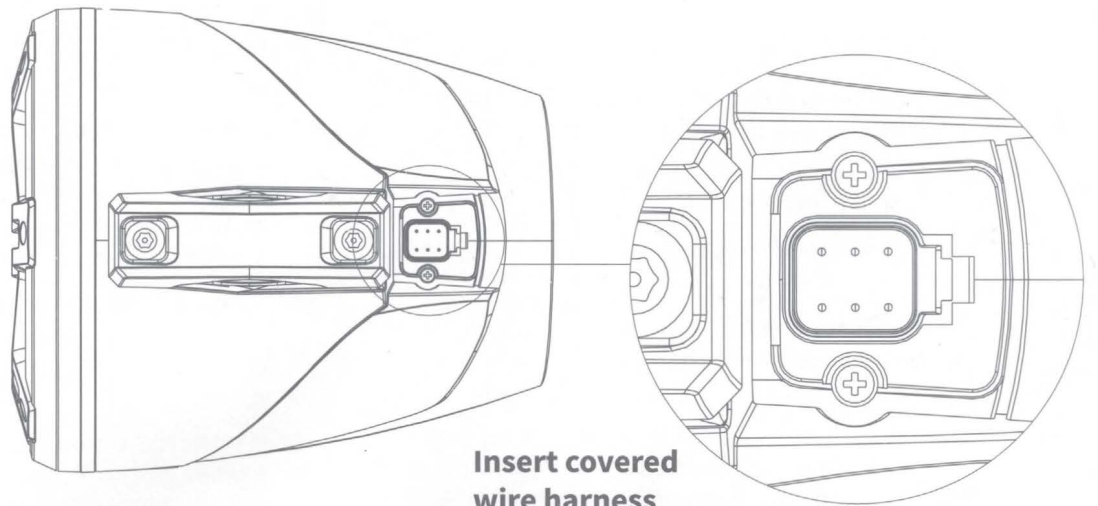
Remove plastic plug to access rotation lock-down torx.



illus.-3.3

Use included Safety Torx Wrench to tighten can to clamp to keep Wake Can from swivling.
***If the cap does not fully snap in after tightening, then the bolt is not tight enough.**

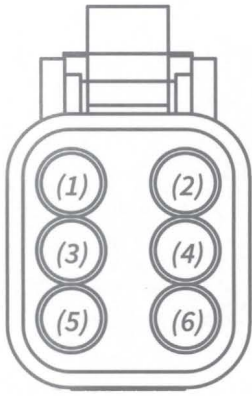
Wiring



Insert covered wire harness wiring port.

illus.-4.2

Installation

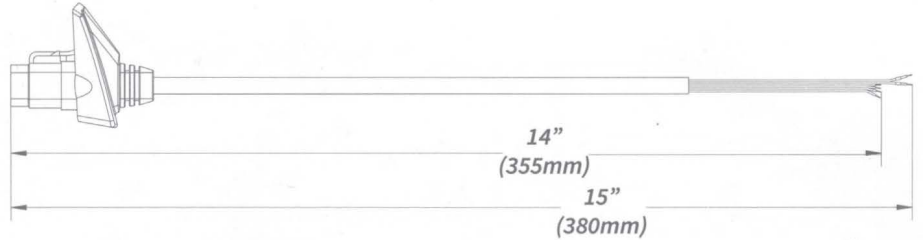


- 1 - BLACK (Speaker Negative, 18 AWG)
- 2 - YELLOW (12V + Input, 22 AWG)
- 3 - RED (Speaker Positive, 18 AWG)
- 4 - GREEN (Ground Input, 22 AWG)
- 5 - RED (Ground Input, 22 AWG)
- 6 - BLUE (Ground Input, 22 AWG)

Included with speakers

Connector is DEUTSCH™/Amphenol style DT06-4S

illus.-4.3



illus.-4.4

Contents

- (1) Pair Moto Can Speakers
- (1) Pair Universal Clamps
- (4) Grommets
- (4) Safety Inserts for Screw Clamp
- (2) 1" to 1.6" Rubber Clamp Inserts and Stainless Hardware
- (2) 1.6" to 2" Rubber Clamp Inserts and Stainless Hardware
- (2) Speaker Harnesses
- (1) Pair Sport Grills (Installed on M1)
- (1) Pair Sport Grills (Installed on M2, not available on M1)
- (1) Allen Bit For Speaker Removal For Rotation
- (1) Safety Torx Wrench

Installation Considerations

Before beginning any installation, follow these simple rules:

1. Be sure to carefully read and understand the instructions before attempting to install these speakers.
2. For safety, disconnect the negative lead from the battery prior to beginning the installation.
3. For easier assembly, we suggest you run all wires prior to mounting your speakers in place.
4. Use high quality connectors for a reliable installation and to minimize signal or power loss.
5. Think before you drill! Be careful not to cut or drill into gas tanks, fuel lines, brake or hydraulic lines, vacuum lines or electrical wiring when working on any vehicle. If installation in a boat, take care not to cut or drill through the main hull.
6. Never run wires underneath the vehicle. Running the wires inside the vehicle or hull area provides the best protection.
7. Avoid running wires over or through sharp edges. Use rubber or plastic grommets to protect any wires routed through metal, especially the firewall.

Mounting

1. Determine where the speakers will be mounted. Be sure that the mounting location has sufficient clearance in all direction for the speaker to swivel; conduct a full rotation to ensure there is not obstruction.
2. Mark the location where the wiring will come out near where the Moto can will be mounted. Drill a 7/16" hole in the location you marked for your wire exit. The wiring will connect to the rear of the can *illus.-4.2*.
3. Insert the supplied grommet and feed the wire harness through. Be sure to observe proper polarity when connecting the wires. The speaker harness's negative wire is the BLACK 18 AWG wire and the Positive is the RED 18 AWG wire in the 6 pin connector *illus.-4.3*.
4. Remove the plastic cover over the safety torx bolt to allow access to loosen/tighten the wake can. Do this to adjust the angle of the wake can, then tighten the safety torx bolt to make sure it does not move. Replace plastic cover over safety torx bolt *illus.-3.3*.
5. Rotate the medalion on the rear of the wake can to look like the image in *illus.-3.2*. This can be turned left or right to align the medalion. You will hear/feel a clicking when you rotate it.
6. If you need to rotate the speaker, remove the (6) screws holding the speaker and grill on. Pull the speaker slightly towards you and rotate it until it looks like *illus.-1.1*. Use the predrilled holes to reinstall the speaker *illus.-3.1*.

Rockford Corporation offers a limited warranty on Rockford Fosgate products on the following terms:

Length of Warranty

POWER Amplifiers – 2 Years

BMW® Direct Fit Speakers – 2 Years

PUNCH® & PRIME® Amplifiers – 1 Year

Speakers, Signal Processors, Accessories and Capacitors – 1 Year

All marine, motorcycle, motorsport products - 2 Years

Any Factory Refurbished Product – 90 Days (receipt required)

What is Covered

This warranty applies only to Rockford Fosgate products sold to consumers by authorized Rockford Fosgate dealers in the United States of America. Products purchased by consumers from an Authorized Rockford Fosgate Dealer in another country are covered only by that country's Distributor and not by Rockford Corporation.

Who is Covered

This warranty covers only the original purchaser of Rockford product purchased from an authorized Rockford Fosgate dealer in the United States. In order to receive service, the purchaser must provide Rockford with a copy of the receipt stating the customer name, dealer name, product purchased and date of purchase.

Products found to be defective during the warranty period will be repaired or replaced (with a product deemed to be equivalent) at Rockford's discretion.

What is Not Covered

1. Damage caused by accident, abuse, improper installation, operations, theft, water (on non-Element Ready products).
2. Any cost or expense related to the removal or reinstallation of product.
3. Service performed by anyone other than Rockford or an authorized Rockford Fosgate service center.
4. Any product which has had the serial number defaced, altered, or removed.
5. Subsequent damage to other components.
6. Any product purchased outside the U.S.
7. Any product not purchased from an authorized Rockford Fosgate dealer. Refer to rockfordfosgate.com dealer locator for more detail.

Limit on Implied Warranties

Any implied warranties including warranties of fitness for use and merchantability are limited in duration to the period of the express warranty set forth above. Some states do not allow limitations on the length of an implied warranty, so this limitation may not apply. No person is authorized to assume for Rockford Fosgate any other liability in connection with the sale of the product.

How to Obtain Service

Please call 1-800-669-9899 for Rockford Customer Service. You must obtain an RA# (Return Authorization number) to return any product to Rockford Fosgate. You are responsible for shipment of product to Rockford.

EU Warranty

This product meets the current EU warranty requirements, see your Authorized dealer for details.

— Installation assistance available at: —

RFTECH

— www.rockfordfosgate.com/rftech —

10092020

1230-74972-01-A

Printed In China

600 South Rockford Drive • Tempe, Arizona 85281 United States
Direct: (480) 967-3565 • Toll Free: (800) 669-9899

rockfordfosgate.com



Rockford Fosgate®



THANK YOU FOR YOUR ORDER AND CONTINUED SUPPORT OF ROCKFORD FOSGATE!

IF YOU WANT TO SPREAD THE MESSAGE ABOUT HOW MUCH YOU LIKE YOUR NEW PRODUCT, FEEL FREE TO...



TELL YOUR FRIENDS AND FAMILY



SHARE YOUR NEW GEAR ON SOCIAL MEDIA



WRITE A REVIEW ON OUR WEBSITE OR AMAZON

IF YOUR ORDER IS INCORRECT OR HAVE ANY QUESTIONS REGARDING YOUR ORDER, GET IN TOUCH...



CALL US AT: 1.800.669.9899



LIVE CHAT: WWW.ROCKFORDFOSGATE.COM



EMAIL US: WWW.ROCKFORDFOSGATE.COM/SUPPORT



#ROCKFORDFOSGATE | ROCKFORDFOSGATE.COM