



**Rockford Fosgate®**

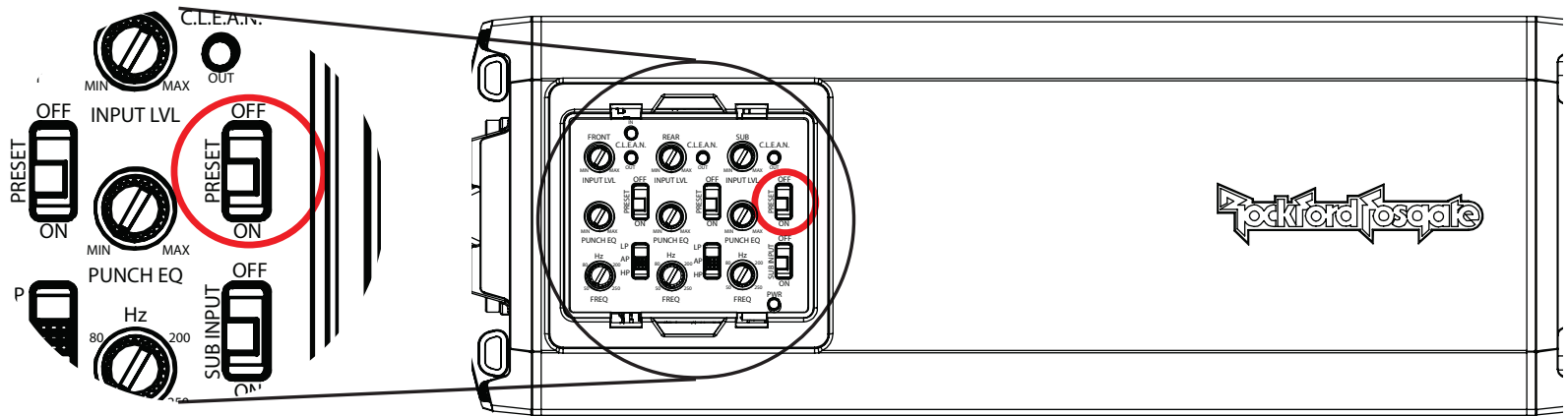
***M5***

**ELEMENT READY™  
AMPLIFIERS**

**M5-800X4**

**M5-1000X1**

**M5-1500X5**



The **PRESET** switch disables the control panel and sets this amp for the best sound to be used with your **ROCKFORD FOSGATE** stage kit audio system. Turn the switch **OFF** to manually adjust this amp.

#### **PRESET SETTINGS**

##### **M5-800X4**

Rockford Fosgate Stages 3 & 4 SXS kits  
 Front Level - 1 O'Clock  
 Rear Level - 3 O'Clock  
 Front/Rear EQ - MIN  
 Input Switch - 4CH\*  
 Front/Rear Crossover - 80Hz  
 Front X-over Switch - HP  
 Rear X-over Switch - LP

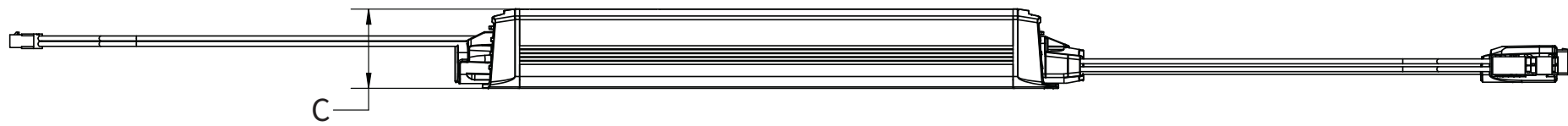
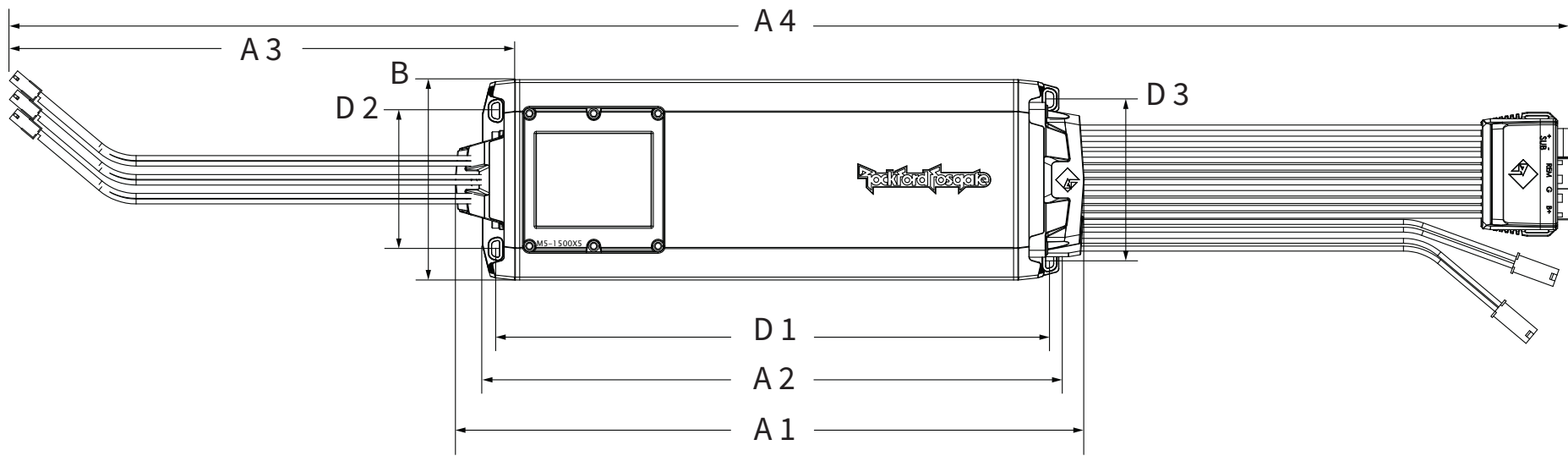
\* Input switches are not controlled via preset switch.

##### **M5-1000X1**

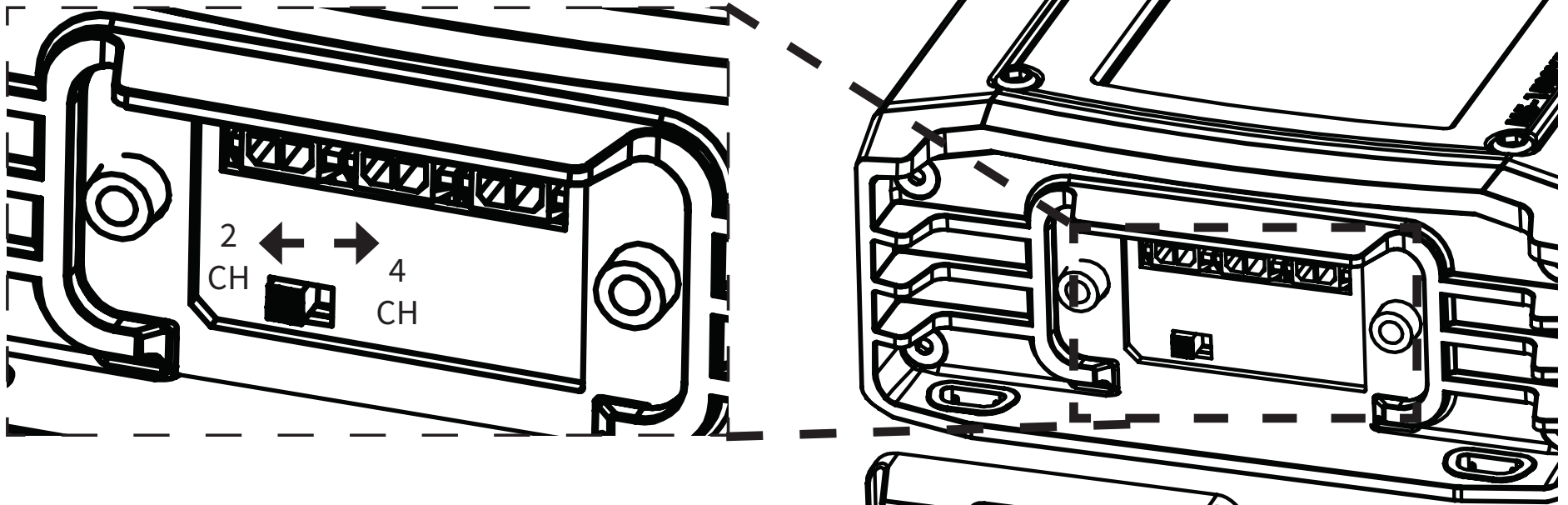
Sub Level - 3 O'Clock  
 Punch EQ - MIN  
 Sub X-Over Switch - 80Hz

##### **M5-1500X5**

Rockford Fosgate Stage 5 SXS kit  
 Front /Rear Level - 1 O'Clock  
 Sub Level - 3 O'Clock  
 Front/Rear/Sub Punch EQ - MIN  
 Front/Rear/Sub Crossover - 80Hz  
 Front/Rear X-over Switch - HP  
 Sub Input - ON\*  
 Input Switch - 2CH\*



## How to adjust 2 channel mode or 4 channel mode on M5-1500X5



The M5-1500x5 comes in 2 channel mode.

1. Using the included 3mm wrench, remove the 2 screws holding the input wire harness on the control panel side of the amp.
2. Pull the harness straight out.
3. Flip switch to the right for 4 channel mode.
4. Re-install the harness. Be sure that the gaskets and O-rings are not damaged before re-installing the harness



<b>Model</b>	<b>M5-800X4</b>	<b>M5-1000X1</b>	<b>M5-1500X5</b>
<b>A1 - Overall Amplifier Length</b>	9.7" (245.9mm)	9.7" (245.9mm)	13.4" (339.7mm)
<b>A2 - Chassis Length</b>	8.4" (213mm)	8.4" (213mm)	12.3" (311.4mm)
<b>A3 - Harness Length (Input/Output are the same length)</b>	12" (304.8mm)	12" (304.8mm)	12" (304.8mm)
<b>A4 - Total Length of Amplifier</b>	33.7" (855.5mm)	33.7" (855.5mm)	37.4" (949.3mm)
<b>B - Chassis Width</b>	4.25" (108.1mm)	4.25" (108.1mm)	4.25" (108.1mm)
<b>C - Chassis Height</b>	1.7" (42.7mm)	1.7" (42.7mm)	1.7" (42.7mm)
<b>D1 - Mounting Length</b>	7.8" (198.7mm)	7.8" (198.7mm)	11.8" (299.2mm)
<b>D2 - Mounting Width</b>	2.9" (74.5mm)	2.9" (74.5mm)	2.9" (74.5mm)
<b>D3 - Mounting Width (Input side, M5-1500X5 ONLY)</b>	N/A	N/A	3.4" (86.5mm)

# Specifications

Model	M5-800X4	M5-1000X1	M5-1500X5
CTA-2006 Dynamic Power* Rating	125W x 4 @ 4Ohm 200W x 4 @ 2Ohm 400W x 2 @ 4Ohm Bridged	600W x 1 @ 4Ohm 900W x 1 @ 2Ohm 1000W x 1 @ 1Ohm	125W x 4/ 400W x 1 @ 4Ohm 200W x 4/ 700W x 1 @ 2Ohm 700W x 1 @ 1Ohm (Sub Only) 400W x 2 @ 4-Ohms Bridged
CTA-2006 Continuous Power Rating	100W x 4 @ 4-Ohm 100W x 4 @ 2-Ohm 200W x 2 @ 4Ohm Bridged	500W x 1 @ 4-Ohm 750W x 1 @ 2-Ohm 750W x 1 @ 1-Ohm	100W x 4/ 400W x 1 @ 4-Ohm 100W x 4/ 600W x 1 @ 2-Ohm 600W x 1 @ 1-Ohm (Sub Only)
THD @ Rated Power	<1.0%	<1.0%	<1.0%
Signal to Noise Ratio	>105dB	>110dB	>105dB 4CH/ >85dB Sub
Frequency Response	10Hz - 50kHz +/- 1dB	30Hz-245Hz +/- 1dB	10Hz - 50kHz +/- 1dB
MIN/MAX Input Voltage	150mV -12Vrms	150mV -12Vrms	150mV -12Vrms
Low-pass Crossover Freq.	50-250Hz @12dB Per Octave	50-250Hz @12dB Per Octave	50-250Hz @12dB Per Octave
High-pass Crossover Freq.	50-250Hz @12dB Per Octave	N/A	50-250Hz @12dB Per Octave
Infra-sonic Freq.	N/A	30Hz @ 12dB Per Octave	30Hz @ 12dB Per Octave
Punch EQ	YES	YES	YES
Signal Sense/DC Offset Turn On	YES	YES	YES
Power Connections	8 AWG	8 AWG	4 AWG
Fused Rating	100A	120A	200A
Operating Voltage Range	9-16VDC	9-16VDC	9-16VDC
Topology / Class	ad	bd	Front/Rear ad/ SUB bd
IP Rating	IPX6 (Water spray)	IPX6 (Water spray)	IPX6 (Water spray)
Warranty	2 YEAR	2 YEAR	2 YEAR

**\*Dynamic Power indicates actual, usable power delivered by the amplifier to the speakers when listening to music. Dynamic power ratings are based on CTA-2006 industry standards. Dynamic power has been provided to indicate the actual RMS power output performance of the amplifier in the real world.**

**What is the IPX6 testing method?** It is the rating given after passing the testing method to show that this product will withstand water ingress of the given test. Here is the breakdown of everything needed for testing of the IPX6 rating.  
A 0.5" (12.5mm) nozzle with 15 psi (100 kPa) outputting 100 liters per min of water from a distance of 9.8' (3 meters) from all directions for at least 3 minutes.



CTA 2006

Power ratings on Rockford Fosgate amplifiers conform to CTA-2006 industry standards. These guidelines mean your amplifier's output power ratings are REAL POWER numbers, not inflated marketing ratings.

# Warranty Information

Rockford Corporation offers a limited warranty on Rockford Fosgate products on the following terms:

## **Length of Warranty**

POWER Amplifiers – 2 Years

BMW® Direct Fit Speakers – 2 Years

PUNCH® & PRIME® Amplifiers – 1 Year

Speakers, Signal Processors, Accessories and Capacitors – 1 Year

All marine, motorcycle, motorsport products - 2 Years

Any Factory Refurbished Product – 90 Days (receipt required)

## **What is Covered**

This warranty applies only to Rockford Fosgate products sold to consumers by authorized Rockford Fosgate dealers in the United States of America. Products purchased by consumers from an Authorized Rockford Fosgate Dealer in another country are covered only by that country's Distributor and not by Rockford Corporation.

## **Who is Covered**

This warranty covers only the original purchaser of Rockford product purchased from an authorized Rockford Fosgate dealer in the United States. In order to receive service, the purchaser must provide Rockford with a copy of the receipt stating the customer name, dealer name, product purchased and date of purchase.

Products found to be defective during the warranty period will be repaired or replaced (with a product deemed to be equivalent) at Rockford's discretion.

## **What is Not Covered**

Damage caused by accident, abuse, improper installation, operations, theft, water (on non-Element Ready products).

Any cost or expense related to the removal or re-installation of product.

Service performed by anyone other than Rockford or an authorized Rockford Fosgate service center.

Any product which has had the serial number defaced, altered, or removed.

Subsequent damage to other components.

Any product purchased outside the U.S.

Any product not purchased from an authorized Rockford Fosgate dealer. Refer to [rockfordfosgate.com](http://rockfordfosgate.com) dealer locator for more detail.

## **Limit on Implied Warranties**

Any implied warranties including warranties of fitness for use and merchantability are limited in duration to the period of the express warranty set forth above. Some states do not allow limitations on the length of an implied warranty, so this limitation may not apply. No person is authorized to assume for Rockford Fosgate any other liability in connection with the sale of the product.

## **How to Obtain Service**

Please call 1-800-669-9899 for Rockford Customer Service. You must obtain an RA# (Return Authorization number) to return any product to Rockford Fosgate. You are responsible for shipment of product to Rockford.

## **EU Warranty**

This product meets the current EU warranty requirements, see your Authorized dealer for details.



**M5-1000X1**

## 1000 Watt 1-Channel Element Ready™ Amplifier

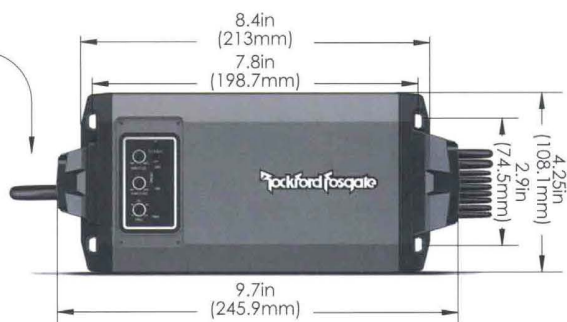
- Element Ready™: The next evolution of Element Ready™ performance. These IPX6 rated amplifiers provide superior protection from water, are designed as rugged as the outdoors and are built to stand up to all the elements including water, dust, mud, and UV rays
- PRESET: Out of the box performance, literally. No confusing settings or adjustments are needed. With all the legendary Rockford sound and capabilities you have come to expect, now made incredibly simple
- Play-All-Day: No matter how hard you push or where you take this amplifier, it pushes back with powerful output and performance. It never quits and provides the ability to play-all-day, so you and your music can too
- Dynamic Power: Engineered from the ground up and purpose built to deliver more output where you actually hear it; your music. This is real dynamic rated power, engineered to perform not only on paper, but performance heard through the musical experience

### Specifications:

- CTA-2006 Dynamic Power Rating:
    - 600x1 @ 4-Ohms
    - 900x1 @ 2-Ohms
    - 1000x1 @ 1-Ohms
  - CTA-2006 Continuous Power Rating: THD+N @ 1 W - 4/2/1 Ohm <0.1%
    - 500x1 @ 4-Ohms
    - 750x1 @ 2-Ohms
    - 750x1 @ 1-Ohms
- SNR Rated Dynamic Wrms - >110dB



- Crossover Slope: 12dB/Oct
- Crossover Frequency: Variable 50-250Hz Sub: 30Hz
- Punch EQ: 18dB @ 45Hz
- Weight: 3.6 lbs / 1.64 kg



CLASS D



C.L.E.A.N.



MEHSA 4

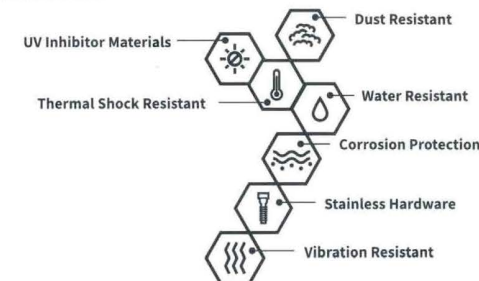


BALANCED DIFFERENTIAL INPUTS



### ELEMENT READY™

Rockford's Element Ready™ product line takes into account the effects of the environment and takes measures to ensure lasting performance.







# **WARNING!**

**The PRESET switch bypasses the control panel settings and provides the recommended settings to be used with your ROCKFORD FOSGATE SxS (Side by Side) stage kit audio system.**

**If you choose to manually tune your amp, turn the PRESET switch OFF. For more information on the PRESET, please refer to the manual.**

### INPUT HARNESS



\*\* For high level input; cut supplied input harnesses then use the wire harness color codes below.

### WIRE HARNESS COLOR CODE



### PRESET SWITCH

The PRESET switch bypasses the control panel settings and provides the recommended settings to be used with your ROCKFORD FOSGATE SxS (Side by Side) stage kit audio system.

If you choose to manually tune your amp, turn the PRESET switch OFF.

For more information on the PRESET, please refer to the manual.

### OUTPUT CLIP INDICATORS

	MUSIC	TEST TONE*
BLUE	⊘	✓
BLUE/RED	✓	⊘
RED	⚠	⊘

\*40Hz TONE - SUBWOOFER

### IMPEDANCE STABILITY

BRIDGED/MONO: 1 Ω MIN.

### PRESET SETTINGS

Sub Level - 3 O'Clock

Punch EQ - MIN

Sub X-Over Switch - 80Hz



**Rockford Fosgate**®

1000W Designed and Engineered in Tempe, AZ U.S.A.  
9-16Vdc Made in China

**M5-1000X1**



0000353181-71

Date of Manufacture: 2020-12-25





## Are You Engineered to Rock?

Get a One-Year Extended Warranty when you use a matching Rockford Fosgate Amplifier Installation kit with your Amplifier!

We want you to get the performance and reliability that made Rockford Fosgate Amplifiers famous. Using poor-quality, under-spec wiring is a guaranteed way to get less from your system than you paid.

We are so confident in the difference the correct wire and cables make, that we offer an additional 1-year warranty on your amplifier when you purchase the matching installation kit. See your dealer to determine the correct kit for your amplifier.

One warranty extension per amplifier regardless of the number of installation kits purchased. Amplifier and installation kit must be purchased at the same time and show on the same receipt.

### What is Covered

This warranty applies only to Rockford Fosgate products sold to consumers by Authorized Rockford Fosgate Dealers in the United States of America or its possessions. Product purchased by consumers from an Authorized Rockford Fosgate Dealer in another country are covered only by that country's Distributor and not by Rockford Corporation.

### Who is Covered

This warranty covers only the original purchaser of Rockford product purchased from an Authorized Rockford Fosgate Dealer in the United States. In order to receive service, the purchaser must provide Rockford with a copy of the receipt stating the customer name, dealer name, product purchased and date of purchase. Products found to be defective during the warranty period will be repaired or replaced (with a product deemed to be equivalent) at Rockford's discretion.

### What is Not Covered

1. Damage caused by accident, abuse, improper operations, water, theft, shipping
2. Any cost or expense related to the removal or reinstallation of product
3. Service performed by anyone other than Rockford or an Authorized Rockford Fosgate Service Center
4. Any product which has had the serial number defaced, altered, or removed
5. Subsequent damage to other components
6. Any product purchased outside the U.S.
7. Any product not purchased from an Authorized Rockford Fosgate Dealer

### Limit on Implied Warranties

Any implied warranties including warranties of fitness for use and merchantability are limited in duration to the period of the express warranty set forth above. Some states do not allow limitations on the length of an implied warranty, so this limitation may not apply. No person is authorized to assume for Rockford Fosgate any other liability in connection with the sale of the product.

### How to Obtain Service Under the Extended Warranty Program

The amplifier must be returned by the customer (you) or an authorized Rockford Fosgate retailer with a copy of the original receipt and the ORIGINAL Performance Verification Certificate. For assistance, contact your Authorized Rockford Fosgate Dealer or go to [rockfordfosgate.com/support](http://rockfordfosgate.com/support) and complete the warranty form. You can also reach out to Customer Support at 1-800-669-9899.

### EU Warranty

This product meets the current EU warranty requirements, see your Authorized dealer for details. "This Additional One-Year Warranty" is only available where allowed under local laws.

Attach Amplifier Installation Kit  
Serial Number or UPC Code from original  
packaging here.

# CERTIFICATE OF PERFORMANCE VERIFICATION



<b>Model #:</b>	M5-1000X1	<b>Serial #:</b>	0000353181-71	<b>Birth Date:</b>	12/25/2020	<b>Test System:</b>	RF-RATS-7
-----------------	-----------	------------------	---------------	--------------------	------------	---------------------	-----------

<b>SYSTEM OPERATION</b>	<b>Idle Current</b> Measure Current Draw at Idle				<b>System Voltage</b> Check System Reference Voltages			
	A	PASS			V1	4.946	V2	N/A
	<b>Bias</b> Set Output Channel Bias				<b>High Rail Voltage</b> Check Amplifier Rail Voltages			
	CH1	N/A	CH2	N/A	CH3	N/A	CH4	N/A
	V1	68.86	V2	N/A	V3	N/A		
<b>DC Offset</b> Check for No DC Voltage on Outputs				<b>Low Rail Voltage</b> Check Amplifier Rail Voltages				
CH1	.020	CH2	N/A	CH3	N/A	CH4	N/A	
<b>Dark Current</b> Current Draw < 100uA				<b>Gain Tracking</b> Check Gain Tracking Between Channels (dB)				
A	PASS			CH1	N/A	CH2	N/A	
		CH3	N/A	CH4	N/A	CH5	N/A	

<b>SIGNAL</b>	<b>Common Mode Rejection</b> 20Hz-20kHz Sweep @ 1W RMS Power				<b>Signal to Noise Ratio Rated</b> 20Hz-20kHz Sweep @ Rated RMS Power			
	CH1	PASS	CH2	N/A	CH3	N/A	CH4	N/A
	<b>High Pass Crossover Check</b> 20Hz-20kHz Sweep @ 1W RMS Power				<b>Low Pass Crossover &amp; Punch EQ Check</b> 20Hz-20kHz Sweep @ 1W RMS Power			
	CH1	N/A	CH2	N/A	CH3	N/A	CH4	N/A
	CH1	PASS	CH2	N/A	CH3	N/A	CH4	N/A
<b>Total Harmonic Distortion</b> 20Hz-20kHz Sweep @ 1W RMS Power (%)				<b>Total Harmonic Distortion @ Rated</b> 20Hz-20kHz Sweep @ Rated RMS Power (%)				
CH1	0.150	CH2	N/A	CH3	N/A	CH4	N/A	
		CH5	N/A	CH1	0.150	CH2	N/A	
		CH3	N/A	CH3	N/A	CH4	N/A	
		CH4	N/A	CH5	N/A	CH5	N/A	

<b>POWER</b>	<b>Continuous Power</b> RMS Power @ 1% THD (1kHz Full Range, 100Hz Sub)				<b>Total Continuous Power</b> Total RMS Power @ 1% THD			
	CH1	1022	CH2	N/A	CH3	N/A	CH4	N/A
	<b>Continuous Power Load Impedance</b>				<b>1022 Watts</b>			
	CH1	1-Ohm	CH2	N/A	CH3	N/A	CH4	N/A
		CH5	N/A					

**RMS**

**What is Dynamic RMS Power?** The Dynamic power rating specifies the amount of power the amplifier is capable of delivering to the speaker while playing music.

**What is Continuous RMS Power?** The continuous power rating specifies the amount of power the amplifier is capable of delivering to a resistive load playing sine waves continuously until 1% THD has been achieved.

**Why is Dynamic RMS Power Important?** Both dynamic and continuous power ratings are derived from the industry leading testing standard CTA-2006-B, "Testing & Measurements Methods for Mobile Audio Amplifiers." Dynamic power ratings have been provided to show the true real-world output power capability of the amplifier. Both are RMS power ratings and should not be confused with peak power ratings.

**How does Dynamic differ from Peak Power?** Dynamic power is considered usable amplifier power, while peak power is not considered usable due to the very limited amount of time peak power presents itself to the speaker. Although peak ratings are a larger number when compared to RMS, peak power does not represent the amplifiers true usable output power capability. For this reason, Rockford Fosgate does not advertise peak power ratings.

**CTA**

**What is the CTA testing standard?** ANSI/CTA-2006-C defines characteristics that, considered collectively, describe the performance of Power Amplifiers designed for In-Vehicle applications. Power Amplifiers designed for In-Vehicle applications include, but are not limited to; separate single and multi-channel amplifiers, Integrated Amplifiers and bandwidth-limited amplifiers that are connected to and rely solely on the vehicle's primary electrical system for power input and have output power ratings of greater than 5W when measured in accordance with ANSI/CTA-2006-C.

<b>POWER</b>	<b>Dynamic Power</b> RMS Power @ 1% THD				<b>Total Dynamic Power</b> Total RMS Power @ 1% THD			
	CH1	1612	CH2	N/A	CH3	N/A	CH4	N/A
	<b>Dynamic Power Load Impedance</b>				<b>1612 Watts</b>			
	CH1	1-Ohm	CH2	N/A	CH3	N/A	CH4	N/A
		CH5	N/A					

