

PUNCH®

P1 COMPONENT SPEAKERS

P152-S • P16-S
P165-SE • P165-SI • P1675-S
P1T-S

Serial Number: _____

Date of Purchase: _____

Introduction

Dear Customer,

Congratulations on your purchase of the world's finest brand of audio products. At Rockford Fosgate we are fanatics about musical reproduction at its best, and we are pleased you chose our product. Through years of engineering expertise, hand craftsmanship and critical testing procedures, we have created a wide range of products that reproduce music with all the clarity and richness you deserve.

For maximum performance we recommend you have your new Rockford Fosgate product installed by an Authorized Rockford Fosgate Dealer, as we provide specialized training through Rockford Technical Training Institute (RTTI). Please read your warranty and retain your receipt and original carton for possible future use.

Great product and competent installations are only a piece of the puzzle when it comes to your system. Make sure that your installer is using 100% authentic installation accessories from Rockford Fosgate in your installation. Rockford Fosgate has everything from RCA cables and speaker wire to power wire and battery connectors. Insist on it! After all, your new system deserves nothing but the best.

To add the finishing touch to your new Rockford Fosgate image, order your Rockford accessories, which include everything from T-shirts to hats.

Visit our web site for the latest information on all Rockford products;

www.rockfordfosgate.com

or, in the U.S. call 1-800-669-9899 or FAX 1-800-398-3985. For all other countries, call +001-480-967-3565 or FAX +001-480-966-3983

Table of Content

2	Introduction
3-5	Specifications
6-9	Installation
	Installation Considerations
	Mounting
	Wiring
10-11	Additional Languages
	French
	Spanish
	German
	Italian
12	Limited Warranty Information

If, after reading your manual, you still have questions regarding this product, we recommend that you see your Rockford Fosgate dealer. If you need further assistance, you can call us direct at **1-800-669-9899**. Be sure to have your serial number, model number and date of purchase available when you call.

PRACTICE SAFE SOUND

Continuous exposure to sound pressure levels over 100dB may cause permanent hearing loss. High powered auto sound systems may produce sound pressure levels well over 130dB. Use common sense and practice safe sound.

PRATIQUEZ UNE ECOUTE SANS RISQUES

Une exposition continue à des niveaux de pression acoustique supérieurs à 100 dB peut causer une perte d'acuité auditive permanente. Les systèmes audio de forte puissance pour auto peuvent produire des niveaux de pression acoustique bien au-delà de 130 dB. Faites preuve de bon sens et pratiquez une écoute sans risques

PRACTIQUE EL SONIDO SEGURO

El contacto continuo con niveles de presión de sonido superiores a 100 dB puede causar la pérdida permanente de la audición. Los sistemas de sonido de alta potencia para automóviles pueden producir niveles de presión de sonido superiores a los 130 dB. Aplique el sentido común y practique el sonido seguro.

PRAKTIZIEREN SIE SICHEREN SOUND

Fortgesetzte Geräuschdruckpegel von über 100 dB können beim Menschen zu permanentem Hörverlust führen. Leistungsstarke Autosoundsysteme können Geräuschdruckpegel erzeugen, die weit über 130 dB liegen. Bitte wenden Sie gesunden Menschenverstand an und praktizieren Sie sicheren Sound.

OSSERVATE LE REGOLE DEL SUONO SENZA PERICOLI

La costante esposizione a livelli di pressione acustica al di sopra dei 100dB possono causare la perdita permanente dell'udito. I sistemi audio ad alta potenza possono produrre livelli di pressione acustica ben superiori ai 130dB. Si consiglia il buon senso e l'osservanza delle regole del suono senza pericoli

Safety

This symbol with "WARNING" is intended to alert the user to the presence of important instructions. Failure to heed the instructions will result in severe injury or death.



This symbol with "CAUTION" is intended to alert the user to the presence of important instructions. Failure to heed the instructions can result in injury or unit damage.



- To prevent injury and damage to the unit, please read and follow the instructions in this manual. We want you to enjoy this system, not get a headache.
- If you feel unsure about installing this system yourself, have it installed by a qualified Rockford Fosgate technician.
- Before installation, disconnect the battery negative (-) terminal to prevent damage to the unit, fire and/or possible injury.

Model	P152-S	P16-S	P165-SE	P165-SI	P1675-S	P1T-S
Nominal Diameter	5.25" (133mm)	6" (153mm)	6.5" (165mm)	6.5" (165mm)	6.75" (171.5mm)	1.0" (25mm)
Description	2-Way	2-Way	2-Way	2-Way	2-Way	Tweeter
Nominal Impedance	4Ω	4Ω	4Ω	4Ω	4Ω	4Ω
Frequency Response	70-22kHz	60-22kHz	44-20kHz	43-20kHz	55-22kHz	3.5kHz-22kHz
Voice Coil Diameter	1.0" (25.4mm)	1.0" (25.4mm)	1.0" (25.4mm)	1.0" (25.4mm)	1.0" (25.4mm)	1.0" (25.4mm)
Power Rating (RMS/Peak)	50W / 100W	60W / 120W	60W / 120W	60W / 120W	60W / 120W	60W / 120W
Fs - Free Air Resonance	70 Hz	60 Hz	59 Hz	58 Hz	60 Hz	3.5 kHz
Qts	0.68	0.70	0.77	0.74	0.72	N/A
Vas	0.19 ft ³ (5.4L)	0.42 ft ³ (11.8L)	0.56ft ³ (15.9L)	0.59 ft ³ (16.7L)	0.61 ft ³ (17.4L)	N/A
Sensitivity (1W/1M)	87dB	87.2dB	88dB	88dB	89dB	90dB
Sensitivity (2.83V/1M)	90dB	90.2dB	91dB	91dB	92dB	93dB
Xmax	0.10" (2.5mm)	0.11" (2.8mm)	0.12" (3mm)	0.12" (3mm)	0.25" (6.4mm)	N/A
Mounting Diameter	4.81" (122.2mm)	5.05" (128.2mm)	5.51" (140mm)	5.51" (140mm)	5.68" (144.2mm)	1.75" (44.4mm)
Mounting Depth	1.91" (48.5mm)	1.93" (49.0mm)	2.24" (57.0mm)	2.24" (57.0mm)	2.24" (57.0mm)	0.91" (23.1mm)
Grille/Trim Ring	YES	YES	YES	YES	YES	YES
Adaptor Plate	YES	NO	NO	NO	NO	NO

See pages 4-5 for additional dimensions

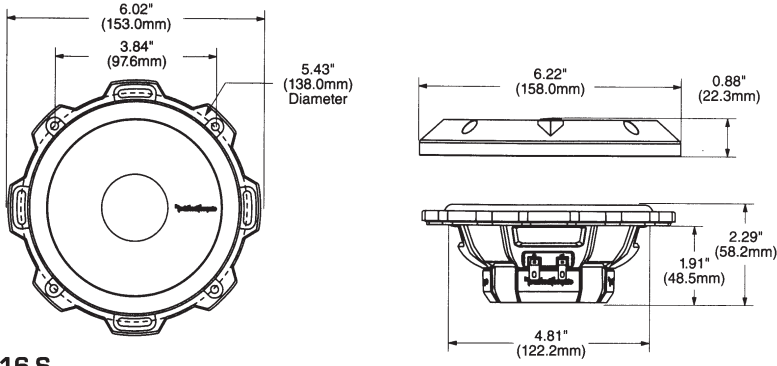


CEA 2031

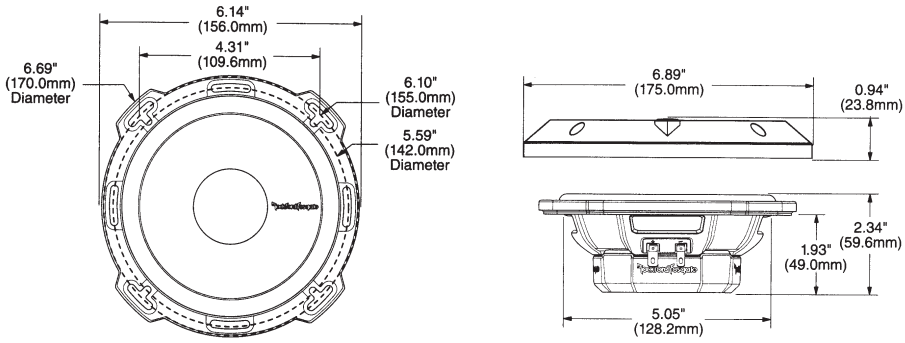
Power handling on Rockford Fosgate speakers conform to CEA-2031 industry standards. This means your speaker has the capacity to handle power under continuous demand, not instantaneous power handling that over time can damage voice coils.

Specifications

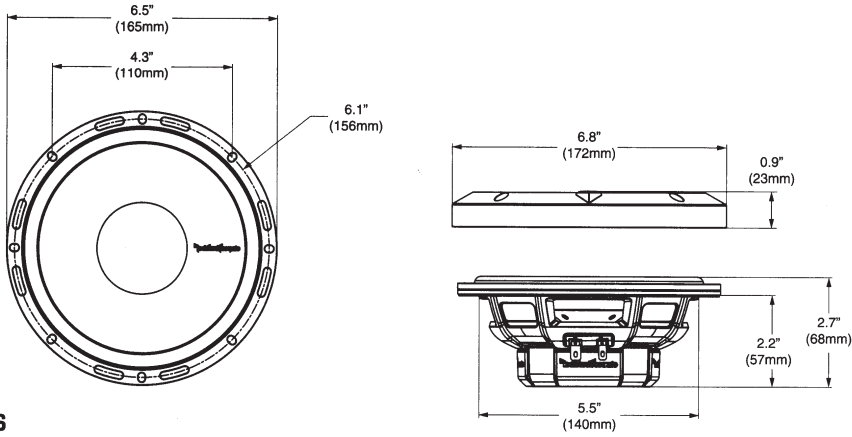
P152-S



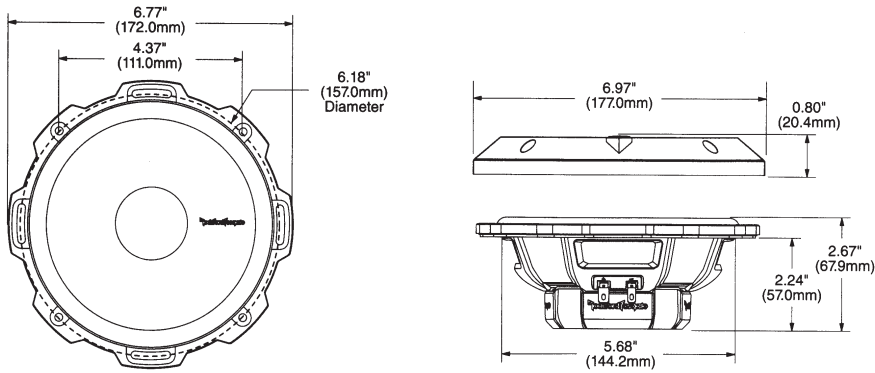
P16-S



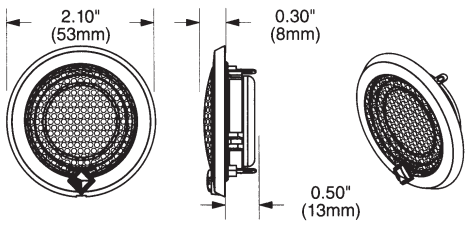
P165-SE/P165-SI



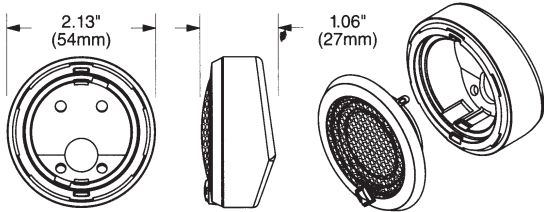
P1675-S



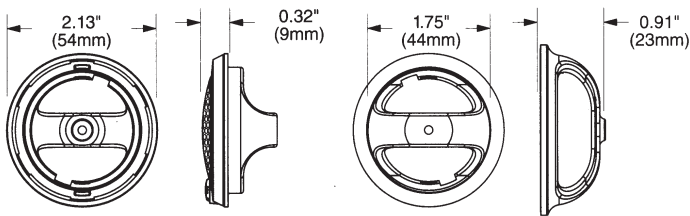
P1T-S



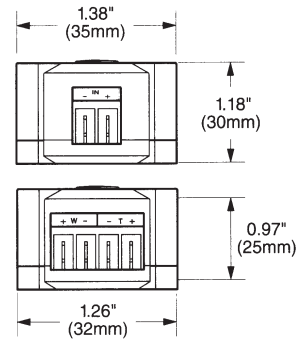
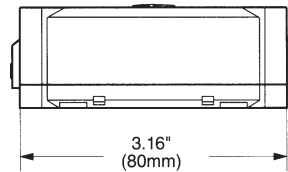
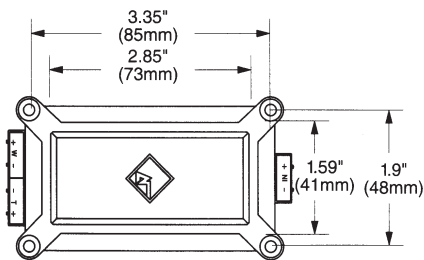
Surface Mount



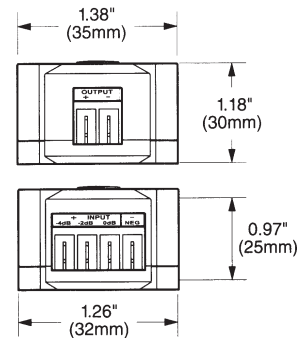
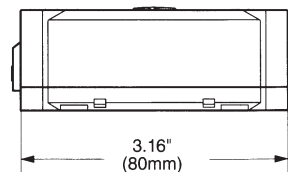
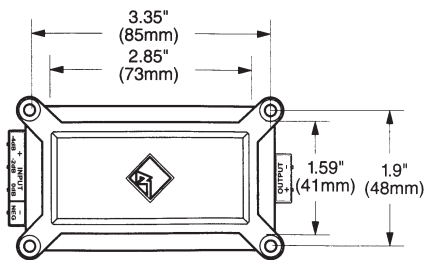
Flush Mount



Tweeter Crossover P165-SE



Tweeter Crossover P1T-S



Installation

Contents

- (1) Pair Punch Series Full Range Component Speakers
- (1) Pair of grilles/trim rings
- Mounting Hardware

Installation Considerations

Before beginning any installation, follow these simple rules:

1. Be sure to carefully read and understand the instructions before attempting to install these speakers.
2. For safety, disconnect the negative lead from the battery prior to beginning the installation.
3. For easier assembly, we suggest you run all wires prior to mounting your speakers in place.
4. Use high quality connectors for a reliable installation and to minimize signal or power loss.
5. Think before you drill! Be careful not to cut or drill into gas tanks, fuel lines, brake or hydraulic lines, vacuum lines or electrical wiring when working on any vehicle. If installation in a boat, take care not to cut or drill through the main hull.
6. Never run wires underneath the vehicle. Running the wires inside the vehicle or hull area provides the best protection.
7. Avoid running wires over or through sharp edges. Use rubber or plastic grommets to protect any wires routed through metal, especially the firewall.

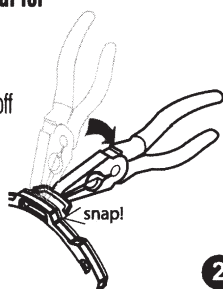
Mounting

Mid-Bass

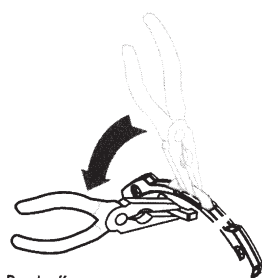
1. Determine where the speakers will be mounted. Ensure an area large enough for the speaker to mount evenly. Be sure that the mounting location is deep enough for the speaker to fit; if mounting in a door, operate all functions (windows, locks, etc.) through their entire operating range to ensure there is no obstruction.
2. Refer to the specification chart to determine the proper diameter hole to cut for your speaker model. Cutting and mounting templates can be found at www.rockfordfosgate.com.
3. Mark the locations for the mounting screws. Drill the holes with a 1/8" bit.
4. Feed the speaker wires through the cutout and connect to the speaker terminals. Be sure to observe proper polarity when connecting the wires. The speaker's positive terminal is indicated with a "+".
5. Fit the trim ring over the speaker and mount into place using four (4) screws.
6. Tighten the screws until the speaker is snug in place to prevent rattling. Do not over tighten the screws.

Mounting tab removal for some installations

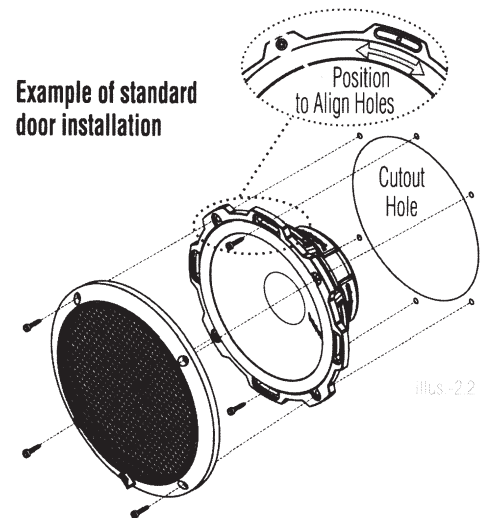
- 1 Use pliers to break off plastic tab.



- 2 Break off mounting tab.



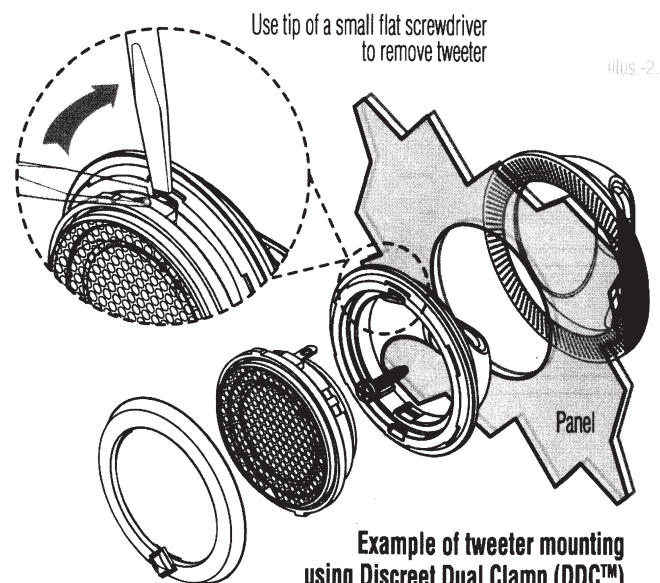
illus-2.1



illus-2.2

Tweeter - Discreet Dual Clamp (DDC™)

1. Determine where the speakers will be mounted. Ensure an area large enough for the speaker to mount evenly. Be sure that the mounting location is deep enough for the speaker to fit; if mounting in a door, operate all functions (windows, locks, etc.) through their entire operating range to ensure there is no obstruction.
2. Mark the location for the mounting hole. Drill the hole with a standard 1.75 inch (45mm) hole saw.
3. With a single center screw secure the inner cup from the front of the door panel to the outer cup from back of the door panel. Tighten the screw until balanced pressure is applied to both faces of the mounting surface.
4. Feed the speaker wires through the cutout and connect to the speaker terminals. Be sure to observe proper polarity when connecting the wires. The speaker's lead wires are indicated with a RED wire "+" and a BLACK wire "-".
5. Simply snap the tweeter into place and secure with a snap-on trim ring. Removal is easy if needed. The protective grille on the tweeter is non-removable and an integral part of the design.



illus-2.3

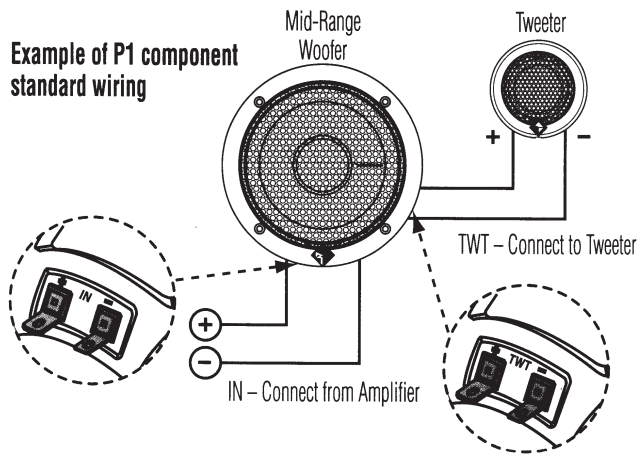
Wiring

Standard - Integrated Concealed Crossover (ICCTM)

NOTE: For the P152-S, P165-SI and P1675-S the crossover is integrated into the basket of the mid-bass driver. This component grade crossover allows for easy connection of the full component system without the need for an external crossover.

1. Use illustration for proper connection.
2. Be sure to maintain speaker polarity.
3. Connect primary tabs on Mid-Range/Woofer to Amplifier.
4. Connect secondary tabs on Mid-Range/Woofer to Tweeter.

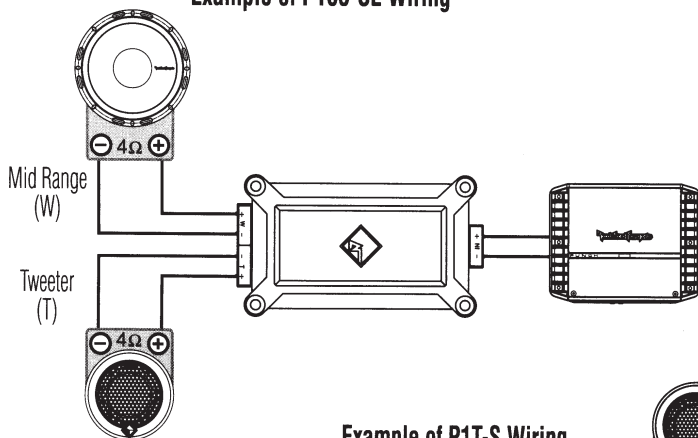
illus.-3.1



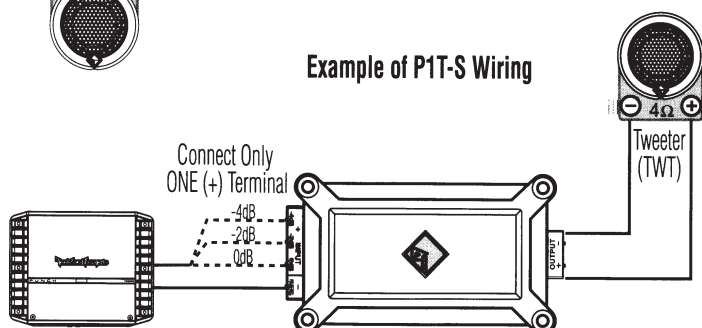
P1T-S & P165-SE Tweeter Crossover

1. Use illustration for proper connection.
2. Be sure to maintain speaker polarity.

Example of P165-SE Wiring



Example of P1T-S Wiring



illus.-3.2

Contents

- (1) Pair Punch Series Full Range Component Speakers
- (1) Pair of grilles/trim rings
- Mounting Hardware

Installation Considerations

Before beginning any installation, follow these simple rules:

1. Be sure to carefully read and understand the instructions before attempting to install these speakers.
2. For safety, disconnect the negative lead from the battery prior to beginning the installation.
3. For easier assembly, we suggest you run all wires prior to mounting your speakers in place.
4. Use high quality connectors for a reliable installation and to minimize signal or power loss.
5. Think before you drill! Be careful not to cut or drill into gas tanks, fuel lines, brake or hydraulic lines, vacuum lines or electrical wiring when working on any vehicle. If installation in a boat, take care not to cut or drill through the main hull.
6. Never run wires underneath the vehicle. Running the wires inside the vehicle or hull area provides the best protection.
7. Avoid running wires over or through sharp edges. Use rubber or plastic grommets to protect any wires routed through metal, especially the firewall.

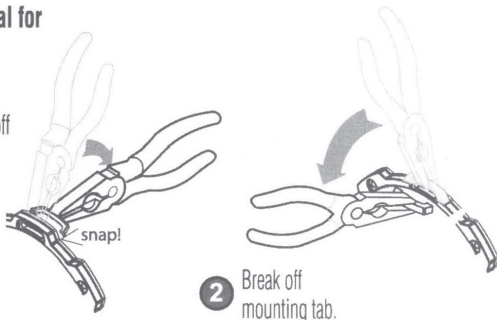
Mounting

Mid-Bass

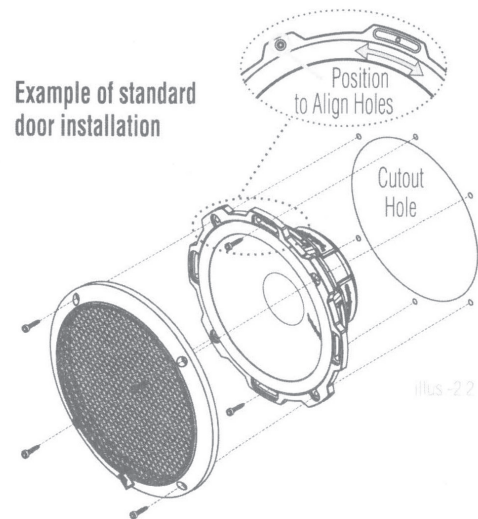
1. Determine where the speakers will be mounted. Ensure an area large enough for the speaker to mount evenly. Be sure that the mounting location is deep enough for the speaker to fit; if mounting in a door, operate all functions (windows, locks, etc.) through their entire operating range to ensure there is no obstruction.
2. Refer to the specification chart to determine the proper diameter hole to cut for your speaker model. Cutting and mounting templates can be found at www.rockfordfosgate.com.
3. Mark the locations for the mounting screws. Drill the holes with a 1/8" bit.
4. Feed the speaker wires through the cutout and connect to the speaker terminals. Be sure to observe proper polarity when connecting the wires. The speaker's positive terminal is indicated with a "+".
5. Fit the trim ring over the speaker and mount into place using four (4) screws.
6. Tighten the screws until the speaker is snug in place to prevent rattling. Do not over tighten the screws.

Mounting tab removal for some installations

- 1 Use pliers to break off plastic tab.

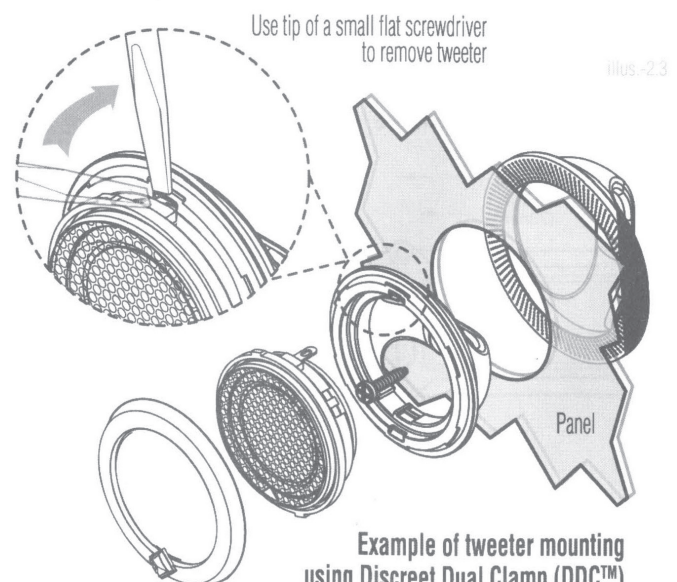


illus.-2.1



Tweeter - Discreet Dual Clamp (DDC™)

1. Determine where the speakers will be mounted. Ensure an area large enough for the speaker to mount evenly. Be sure that the mounting location is deep enough for the speaker to fit; if mounting in a door, operate all functions (windows, locks, etc.) through their entire operating range to ensure there is no obstruction.
2. Mark the location for the mounting hole. Drill the hole with a standard 1.75 inch (45mm) hole saw.
3. With a single center screw secure the inner cup from the front of the door panel to the outer cup from back of the door panel. Tighten the screw until balanced pressure is applied to both faces of the mounting surface.
4. Feed the speaker wires through the cutout and connect to the speaker terminals. Be sure to observe proper polarity when connecting the wires. The speaker's lead wires are indicated with a RED wire "+" and a BLACK wire "-".
5. Simply snap the tweeter into place and secure with a snap-on trim ring. Removal is easy if needed. The protective grille on the tweeter is non-removable and an integral part of the design.



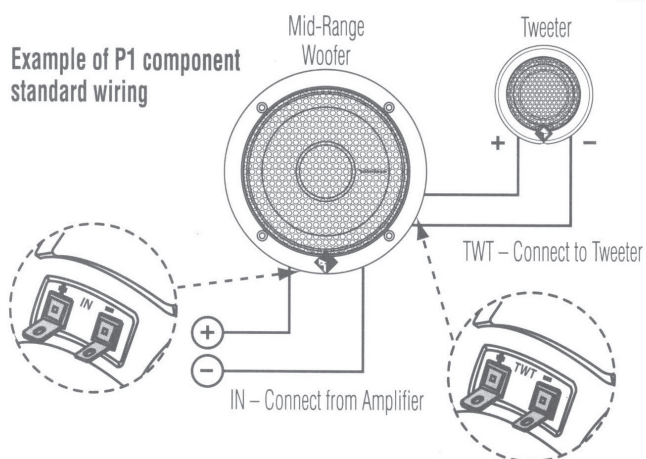
Wiring

Standard - Integrated Concealed Crossover (ICC™)

NOTE: For the P152-S, P165-SI and P1675-S the crossover is integrated into the basket of the mid-bass driver. This component grade crossover allows for easy connection of the full component system without the need for an external crossover.

1. Use illustration for proper connection.
2. Be sure to maintain speaker polarity.
3. Connect primary tabs on Mid-Range/Woofer to Amplifier.
4. Connect secondary tabs on Mid-Range/Woofer to Tweeter.

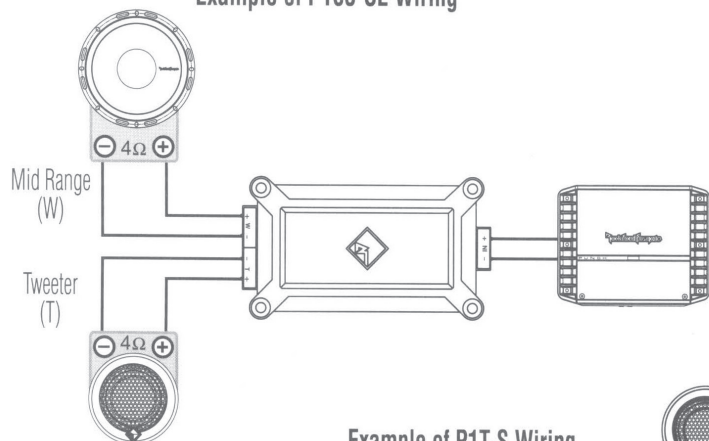
illus.-3.1



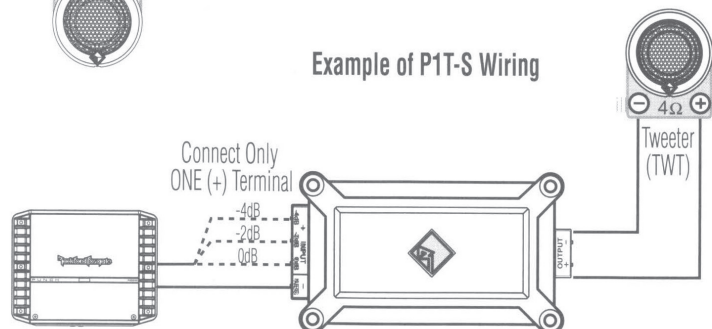
P1T-S & P165-SE Tweeter Crossover

1. Use illustration for proper connection.
2. Be sure to maintain speaker polarity.

Example of P165-SE Wiring

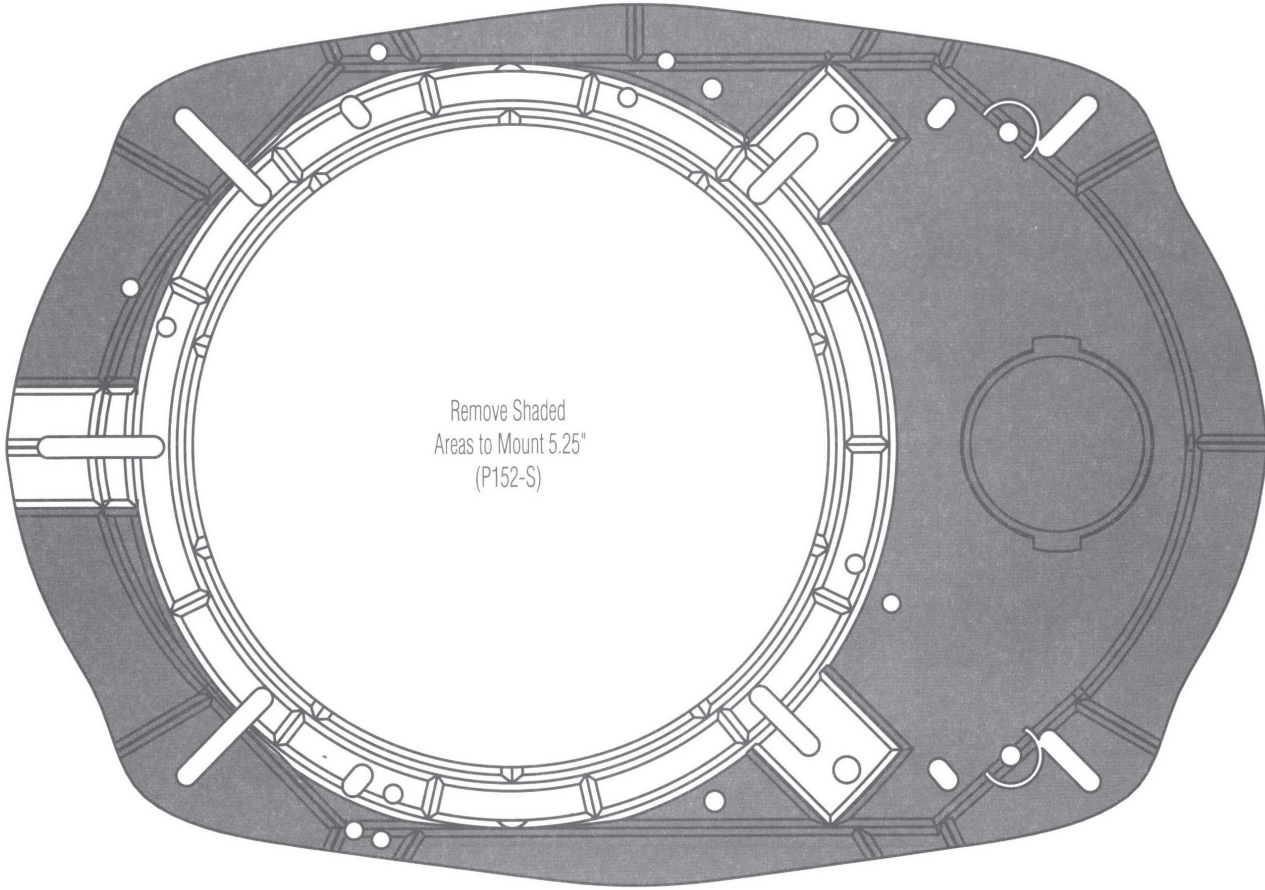


Example of P1T-S Wiring

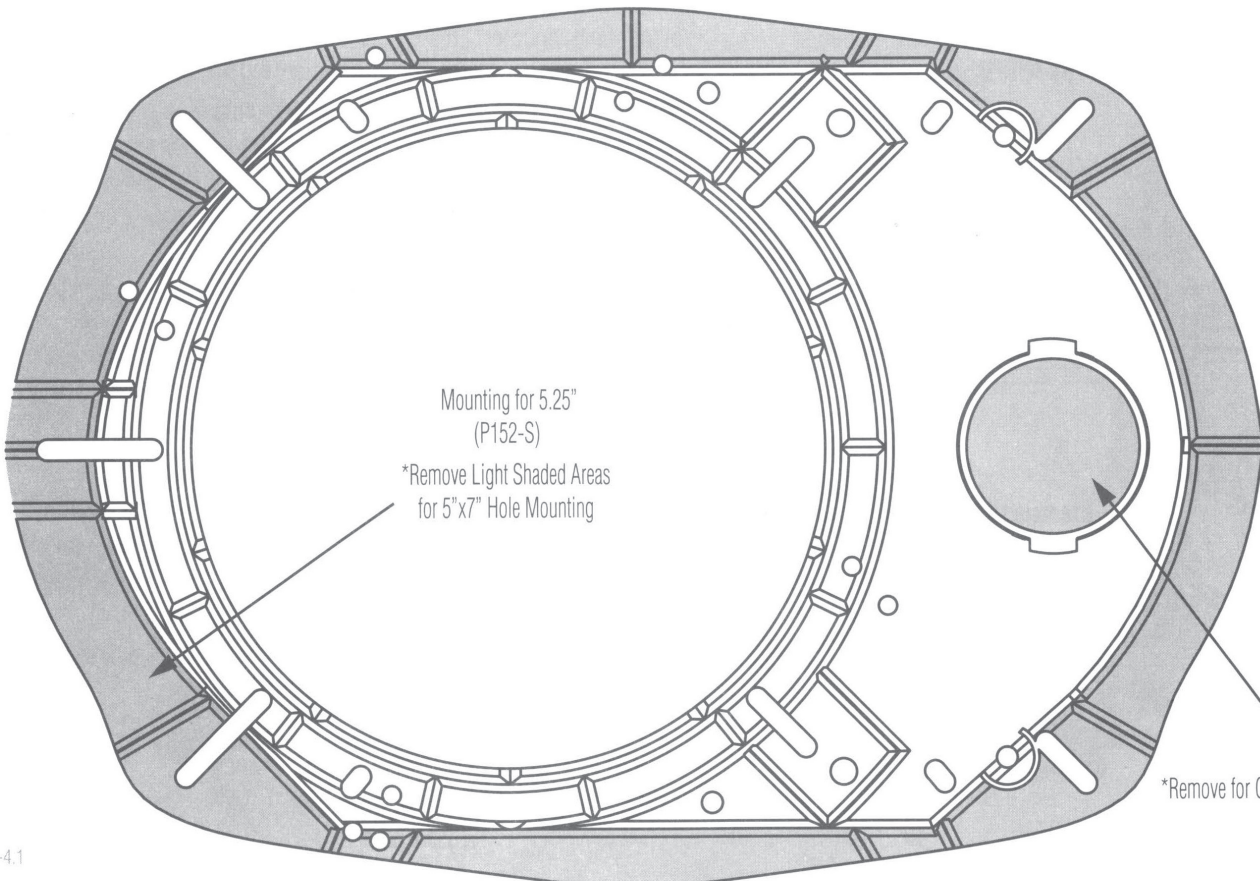


illus.-3.2

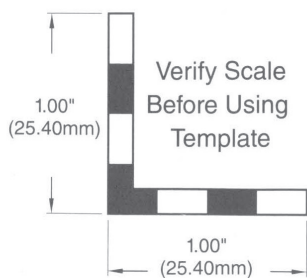
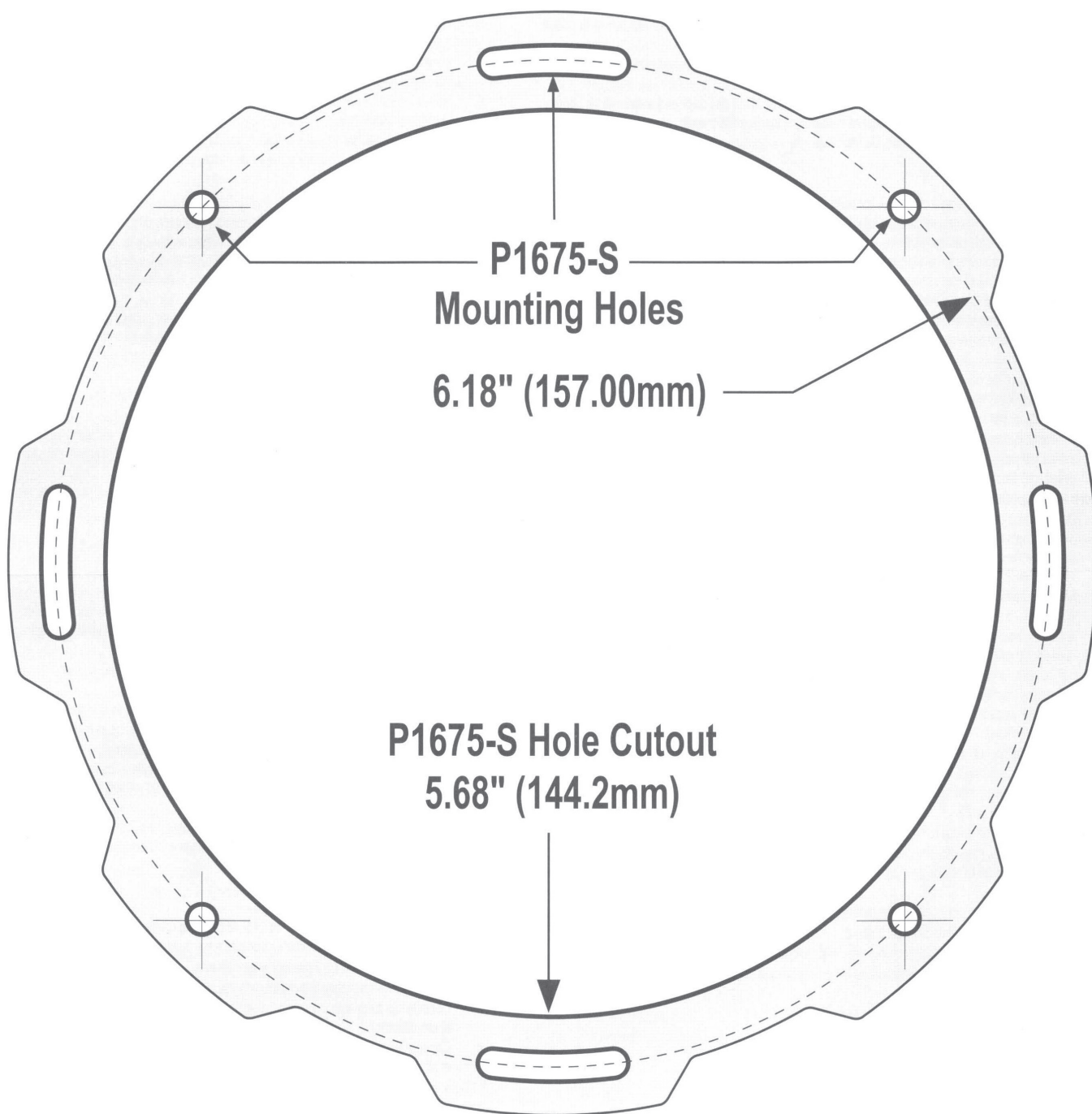
Adapter Plate Template - 6.75" Hole Mounting



Adapter Plate Template - 6"x9" Hole Mounting



Mounting Template



Visit www.rockfordfosgate.com for additional mounting templates.

Considérations Concernant L'installation

Avant de commencer l'installation, suivez les règles ci-dessous:

1. Veuillez à bien lire et comprendre les instructions avant d'essayer d'installer les haut-parleurs.
2. Par mesure de sécurité, débranchez le fil négatif de la batterie avant de commencer l'installation.
3. Pour faciliter le montage des haut-parleurs, il est conseillé d'installer tous les câbles au préalable.
4. Utilisez des connecteurs de haute qualité pour assurer une installation fiable et réduire au minimum la perte de signal ou de puissance.
5. Réfléchissez bien avant de percer. Veuillez à ne pas couper ou percer le réservoir d'essence, le câblage électrique ou les conduites de carburant, de freinage hydraulique ou de dépression en travaillant sur un véhicule. En cas d'installation sur un bateau, veuillez à ne pas couper ou percer la coque principale.
6. Ne jamais faire passer de fils sous le véhicule. Leur installation à l'intérieur du véhicule ou de la coque assure la meilleure protection.
7. Évitez de faire passer des fils sur des bords tranchants ou dans des orifices à arêtes vives. Utilisez des bagues en caoutchouc ou en plastique pour protéger les fils traversant une plaque de métal, notamment le tablier. Emplacements De Montage

Montage (illus.-2.1 - 2.3)

Mid-Bass

1. Déterminez l'emplacement des haut-parleurs. Veuillez à ce que la surface plane soit assez grande pour assurer un contact uniforme du haut-parleur. Vérifiez que l'emplacement est assez profond pour le haut-parleur ; en cas de montage dans une portière, actionnez toutes les commandes (fenêtres, serrures, etc.) jusqu'aux extrémités de leurs courses pour vous assurer qu'il n'y a pas d'obstruction.
2. Consultez le tableau des caractéristiques pour déterminer le diamètre de l'orifice à découper pour votre modèle de haut-parleur. Le gabarit fourni donne aussi le bon diamètre de découpe. Les gabarits de coupe et de montage sont disponibles sur la page www.rockfordfosgate.com/rfttech.
3. Marquez l'emplacement des vis de montage. Percez les trous avec une mèche de 1/8 de pouce (3,2 mm).
4. Faites passer les fils de haut-parleur à travers l'orifice découpé et branchez-les aux bornes du haut-parleur. Veuillez à bien respecter la polarité lors du branchement. La borne positive du haut-parleur est indiquée par un « + ».
5. Disposez l'anneau de garniture sur le haut-parleur et fixez-le avec quatre (4) vis.
6. Serrez les vis jusqu'à ce que le haut-parleur soit bien ajusté, de façon à prévenir tout cliquetis, mais évitez tout serrage excessif.

Tweeter - Discreet Dual Clamp (DDC™)

1. Déterminez l'endroit de montage des enceintes. S'assurer que la zone est suffisamment large pour monter l'enceinte uniformément. S'assurer que l'emplacement de montage est suffisamment profond pour que l'enceinte y rentre; si on la monte sur une porte, activer toutes les fonctions (fenêtres, verrous, etc.) dans toute leur plage d'exploitation pour s'assurer qu'il n'y a pas d'obstruction.
2. Marquez l'emplacement du trou de montage. Percez le trou à l'aide d'une scie cloche standard de 45 mm (1,75 po).
3. À l'aide d'une seule vis centrale, sécuriser la coupelle interne du devant du panneau de porte sur la coupelle externe du dos du panneau de porte. Serrer la vis jusqu'à ce qu'une pression équilibrée soit appliquée sur les deux faces de la surface de montage.
4. Alimenter les fils d'enceinte à travers la découpe et connecter aux bornes d'enceinte. S'assurer d'observer la polarité appropriée lors de la connexion des fils. Les fils de l'enceinte sont indiqués par un fil ROUGE « + » et un fil NOIR « - ».
5. Il suffit d'enclencher le tweeter en place et de sécuriser à l'aide d'une bague de garniture à enclencher. Si besoin, la dépose est aisée. La grille protectrice sur le tweeter est inamovible et fait partie intégrale du design.

Câblage (illus.-3.1 & 3.2)

Standard - ICC (Filtre de coupure intégré)

REMARQUE: Pour les modèles P152-S, P165-SI et P1675-S, le filtre de coupure est intégré au haut-parleur, si bien qu'aucun filtre externe n'est requis. Il vous suffit de connecter les fils du tweeter aux bornes TWT du haut-parleur.

1. Utiliser l'illustration pour une bonne connexion.
2. Assurez-vous de maintenir orateur polarité.
3. Connectez les ongles primaires sur la mi-portée/woofer à l'amplificateur.
4. Connectez les ongles secondaires sur la mi-portée/woofer au tweeter.

P1T-S et P165-SE Câblage

1. Voir le branchement correct sur l'illustration.
2. Veuillez à maintenir la polarité du haut-parleur.

Consideraciones para la instalación

Antes de comenzar cualquier instalación, siga estas simples normas:

1. Asegúrese de leer cuidadosamente y de entender las instrucciones antes de tratar de instalar estos altavoces.
2. Por seguridad, desconecte el conductor negativo de la batería antes de comenzar la instalación.
3. Para facilitar el montaje, sugerimos que tienda todos los cables antes de montar sus altavoces en su sitio.
4. Utilice conectores de alta calidad para tener una instalación confiable y para reducir al mínimo las pérdidas de señal o de potencia.
5. ¡Piense siempre antes de perforar! Tenga cuidado de no cortar ni perforar en tanques de combustible, tuberías de combustible, frenos o hidráulicas, tuberías de vacío o cableado eléctrico al trabajar en un vehículo. Si la instalación se hace en un bote, tenga cuidado de no cortar ni perforar a través del casco principal.
6. Nunca tienda cables abajo del vehículo. Tender los cables adentro del vehículo o casco proporciona la mejor protección.
7. Evite tender cables arriba o a través de bordes filosos. Use arandelas aislantes de caucho para proteger los cables tendidos a través de metal, especialmente la mampara cortafuegos. Montaje

Montaje (illus.-2.1 - 2.3)

Mid-Bass

1. Determine adónde se montará los altavoces. Asegúrese de que haya un área suficientemente grande para montar de manera plana el altavoz. Asegúrese de que el lugar de montaje sea suficientemente profundo para que quepa el altavoz, si se monta en una puerta, accione todas las funciones (ventanas, cerradura, etc.) en toda su gama de funcionamiento para asegurarse de que no haya obstrucciones.
2. Consulte la tabla de especificaciones para determinar cuales son los diámetros correctos para el agujero a cortar para su modelo de altavoz. La plantilla proporcionada también le da la medida correcta del recorte. Se puede hallar las plantillas para el corte y el montaje en www.rockfordfosgate.com/rfttech.
3. Marque las localidades para los tornillos de montaje. Perfore los agujeros usando una broca de 1/8 pulg.
4. Tienda los cables del altavoz a través del recorte y conecte a los terminales del altavoz. Asegúrese de usar la polaridad correcta al conectar los cables. El terminal positivo del altavoz está identificado con un símbolo "+".
5. Coloque el anillo de acabado arriba del altavoz y móntelo en su sitio usando cuatro (4) tornillos.
6. Apriete los tornillos hasta que el altavoz esté ajustado en su sitio para evitar vibraciones. No apriete demasiado los tornillos.

Tweeter - Abrazadera Discreet Dual Clamp (DDC™)

1. Determine adónde se montarán los altavoces. Asegúrese de que haya un área suficientemente grande para montar de manera uniforme el altavoz. Asegúrese de que el lugar de montaje sea suficientemente profundo para que quepa el altavoz, si se monta en una puerta, accione todas las funciones (ventanas, cerradura, etc.) en toda su gama de funcionamiento para asegurarse de que no haya obstrucciones.
2. Marque las localidades para el agujero de montaje. Haga un agujero usando una sierra para agujeros estándar de 45mm (1.75 pulgadas).
3. Con un solo tornillo central, asegure la taza interna de la parte delantera del panel de la puerta a la taza externa de la parte posterior del panel de la puerta. Apriete el tornillo hasta que se aplique una presión equilibrada a ambas caras de la superficie de montaje.
4. Tienda los cables del altavoz a través del recorte y conecte a los terminales del altavoz. Asegúrese de usar la polaridad correcta al conectar los cables. Los cables del altavoz están identificados con un cable ROJO "+" y un cable NEGRO "-".
5. Simplemente presione el tweeter en su sitio ya asegúrelo con un anillo de acabado a presión. Es fácil extraerlo si es necesario. La rejilla protectora en el tweeter no se puede extraer y es una parte integral del diseño.

Cableado (illus.-3.1 & 3.2)

Estándar - ICC (Cruce encubierta integrada)

NOTA: Para el P152-S, P165-SI y el P1675-S, el cruce es un diseño integral del altavoz. Por lo tanto, no se necesita un cruce externo. Simplemente conecte los cables del tweeter a los terminales TWT en el altavoz.

1. Utilice la ilustración para una correcta conexión.
2. Asegúrese de mantener la polaridad de los altavoces.
3. Conecte las tabulaciones primarias en alcance medio/el altavoz para bajas audiofrecuencias con el amplificador.
4. Conecte las tabulaciones secundarias en alcance medio/el altavoz para bajas audiofrecuencias con el altavoz de agudos.

P1T-S y P165-SE Estándar

1. Utilice la ilustración para hacer una conexión correcta.
2. Asegúrese de mantener la polaridad del altavoz.

Einbauüberlegungen

Befolgen Sie vor dem Einbau diese einfachen Regeln:

1. Lesen Sie die Anleitung sorgfältig, bevor Sie versuchen diese Lautsprecher einzubauen.
2. Entfernen Sie vor dem Einbau aus Sicherheitsgründen das negative Kabel von der Batterie.
3. Um die Montage zu erleichtern, empfehlen wir alle Kabel vor der Befestigung Ihrer Lautsprecher zu verlegen.
4. Verwenden Sie nur Qualitätsstecker, um einen zuverlässigen Einbau zu gewährleisten und Signal- und Stromverlust zu minimieren.
5. Denken Sie nach, bevor Sie bohren! Achten Sie darauf, nicht in den Benzintank, die Benzin-, Brems- oder hydraulischen Leitungen, Vakuulleitungen oder Elektrokabel zu schneiden oder zu bohren, wenn Sie am Fahrzeug arbeiten. Achten Sie beim Einbau in einem Boot darauf, nicht durch den Bootsrumpf zu schneiden oder zu bohren.
6. Verlegen Sie Kabel nie unter dem Fahrzeug. Die Kabel im Fahrzeug oder Bootsrumpf zu verlegen, bietet den besten Schutz.
7. Vermeiden Sie es, Kabel über scharfe Kanten zu verlegen. Verwenden Sie Gummi- oder Plastikringe, um Kabel zu schützen, die durch Metall verlegt werden (besonders die Feuerwand).

Befestigung (illus.-2.1 - 2.3)

Mid-Bass

1. Entscheiden, wo die Lautsprecher befestigt werden sollen. Gewährleisten, dass der Platz ausreicht, um den Lautsprecher gleichmäßig zu befestigen. Gewährleisten, dass die Befestigungsstelle ausreichende Tiefe für den Lautsprecher hat; beim Einbau in einer Türe alle Funktionen (Fenster, Schloss usw.) in ihrem ganzen Bereich ausprobieren um zu gewährleisten, dass keine Blockierung eintritt.
2. Die Tabelle in den Technischen Daten gibt den richtigen Lochdurchmesser für Ihr Lautsprechermodell zum Ausschneiden an. Die beiliegende Schablone zeigt ebenfalls die richtige Ausschneidegröße an. Schneide- und Befestigungsschablonen finden Sie unter www.rockfordfosgate.com/rftch.
3. Die Stellen für die Befestigungsschrauben markieren. Die Löcher mit einer 1/8-Zoll (3,2 mm) Bohrer Spitze bohren.
4. Die Lautsprecherkabel durch das Loch führen und an den Lautsprecheranschlüssen anschließen. Beim Anschließen der Kabel die ordnungsgemäße Polarität beachten. Der positive Anschluss des Lautsprechers ist mit einem „+“ markiert.
5. Den Zierring über den Lautsprecher legen und mit 4 (vier) Schrauben an seinem Platz befestigen.
6. Die Schrauben anziehen, bis der Lautsprecher eng an seinem Platz anliegt, um Klappern zu verhindern. Die Schrauben nicht zu fest anziehen.

Hochtöner - Discreet Dual Clamp (DDC™)

1. Entscheiden, wo die Lautsprecher befestigt werden sollen. Gewährleisten, dass der Platz ausreicht, um den Lautsprecher gleichmäßig zu befestigen. Gewährleisten, dass die Befestigungsstelle ausreichende Tiefe für den Lautsprecher hat; beim Einbau in einer Türe alle Funktionen (Fenster, Schloss usw.) in ihrem ganzen Bereich ausprobieren um zu gewährleisten, dass keine Blockierung eintritt.
2. Die Stelle für das Befestigungsloch markieren. Das Loch mit einer 1,75-Zoll (45 mm) Standardlochsäge bohren.
3. Das Innengefäß von der Vorderseite des Türpaneels mit einer einzigen Mittelschraube am Außengefäß von der Rückseite des Türpaneels befestigen. Die Schraube anziehen, bis gleichmäßiger Druck auf beide Flächen der Befestigungsoberfläche ausgeübt wird.
4. Die Lautsprecheradern durch das Loch führen und an den Lautsprecheranschlüssen anschließen. Beim Anschließen der Kabel die ordnungsgemäße Polarität beachten. Das Lautsprecherkabel hat eine ROTE Ader, die mit „+“, und eine SCHWARZE Ader, die mit „-“ markiert ist.
5. Den Hochtöner einfach an seinem Platz einschnappen lassen und mit einem Schnappzierring befestigen. Das Entfernen, falls erforderlich, ist einfach. Das Schutzgitter auf dem Hochtöner kann nicht entfernt werden und ist ein integraler Teil des Designs.

Verkabelung (illus.-3.1 & 3.2)

Standard - ICC (Integrierter verborgener Crossover)

HINWEIS: Bei den Modellen P152-S, P165-SI und P1675-S ist das Crossover ein integrales Design des Lautsprechers. Daher wird ein externes Crossover nicht benötigt. Einfach die Drähte vom Hochtöner an den TWT-Anschlüssen am Lautsprecher anschließen.

1. Verwenden Sie für die richtige Verbindung Illustration.
2. Stellen Sie sicher, dass die Aufrechterhaltung Lautsprecher Polarität.
3. Schließen Sie Primärtabulatoren auf Mittelbereich/Woofer an Verstärker an.
4. Schließen Sie Sekundärtabulatoren auf Mittelbereich/Woofer an Tweeter an.

P1T-S und P165-SE Verkabelung

1. Zum ordnungsgemäßen Anschließen die Illustration benutzen.
2. Dabei die Lautsprecherpolarität beachten.

Considerazioni sull'installazione

Prima di iniziare qualsiasi operazione d'installazione, vi consigliamo di seguire queste semplici regole:

1. Assicuratevi di aver letto tutte le istruzioni con cura e di averle capite prima di effettuare qualsiasi tentativo d'installazione nei confronti dell'unità.
2. Per motivi di sicurezza, scollegate il cavo negativo dalla batteria prima di dare l'avvio all'installazione.
3. Per facilitare il montaggio, vi suggeriamo di far scorrere tutti i fili prima di montare la vostra unità nella sua ubicazione.
4. Usate connettori di alta qualità per garantire un'installazione che dà affidamento e per ridurre al minimo la perdita di segnali o di potenza.
5. State attenti prima di trapanare! Cercate di non trapanare e di non incidere i serbatoi della benzina; le condutture del carburante, dei freni, del sistema idraulico e a depressione; nonché i fili elettrici quando state lavorando su qualsiasi veicolo.
6. Non fate mai scorrere i fili sotto il veicolo. Avrete la protezione migliore facendo scorrere i fili all'interno del veicolo.
7. Evitate di far scorrere i fili sopra o attraverso delle estremità affilate. Usate guarnizioni di tenuta in gomma o in plastica per proteggere qualsiasi filo che passi attraverso del metallo, soprattutto il parafrangiamma.

Montaggio (illus.-2.1 - 2.3)

Mid-Bass

1. Decidete dove montare gli altoparlanti. Assicuratevi che sia un'area abbastanza grande per poter montare l'altoparlante a livello e abbastanza profonda per poterlo collocare comodamente. Se lo montate all'interno di uno sportello, controllate tutte le funzioni (finestre, serrature, ecc.), una alla volta, per assicurarvi che non ci siano ostruzioni.
2. Fate riferimento alla tabella delle specifiche per stabilire il diametro corretto del foro che dovrete praticare per il modello del vostro altoparlante. Si possono trovare le sagome per il taglio e il montaggio presso www.rockfordfosgate.com/rftch.
3. Marcare le posizioni per le viti di montaggio. Praticare i fori con una punta da trapano di 1/8 di pollice (3,2 mm).
4. Passare i cavi del diffusore tramite l'apertura e collegarli ai terminali. Verificare che la polarità sia corretta quando si collegano i cavi. Il terminale positivo del diffusore è identificato dal „+“.
5. Adattare l'anello di finitura sul diffusore e montare in posizione servendosi delle quattro (4) viti.
6. Per evitare rumore dovuto a vibrazioni serrare le viti finché il diffusore non sia saldamente in posizione. Non serrare le viti in modo eccessivo.

Tweeter - Discreet Dual Clamp (DDC™)

1. Stabilire in quale posizione montare i diffusori. Accertarsi che l'area sia sufficientemente spaziosa per montare i diffusori in modo uguale. Accertarsi che il luogo di montaggio sia profondo a sufficienza per il diffusore; quando si monta su una portiera, controllare che tutte le funzioni (finestre, serrature, ecc.) funzionino liberamente senza ostruzioni.
2. Marcare la posizione per le viti di montaggio. Praticare il foro servendosi di una sega frontale a corona standard della misura di 1,75 pollici (45 mm).
3. Utilizzando una vite a centro unico, fissare la coppa interna dal pannello anteriore della porta alla coppa esterna, dalla parte posteriore del pannello della porta. Serrare la vite sino a quando la pressione su entrambi i lati della superficie di montaggio non è equilibrata.
4. Passare i fili del diffusore nel foro e collegarli ai terminali del diffusore. Quando si esegue la connessione, accertarsi di osservare la polarità corretta. I fili conduttori dei diffusori sono rappresentati da un filo ROSSO „+“ e da un filo NERO „-“.
5. Basta fare scattare il tweeter in posizione e fissare con l'anello di rifinitura a scatto. Se si rende necessario, toglierlo è facile. La griglia di protezione sul tweeter non è rimovibile e costituisce una parte integrale del design.

Collegamento fili (illus.-3.1 & 3.2)

Standard - ICC (Crossover celato integrato)

NOTA: Per progettazione, il crossover del P152-S, P165-SI e del P1675-S è incorporato nel diffusore. Pertanto non si richiede l'uso di un crossover esterno. Basta collegare i fili provenienti dal tweeter ai terminali TWT sul diffusore.

1. Usa illustrazione per la corretta connessione.
2. Ricordati di mantenere la polarità dei diffusori.
3. Connetta le tabulazione primarie sulla media scadenza/Woofer all'amplificatore.
4. Connetta le tabulazione secondarie sulla media scadenza/Woofer al Tweeter.

P1T-S e P165-SE Collegamento fili

1. Per il collegamento corretto riferirsi all'illustrazione.
2. Accertarsi di mantenere la polarità del diffusore.

Warranty

Rockford Corporation offers a limited warranty on Rockford Fosgate products on the following terms:

Length of Warranty

- POWER Amplifiers – 2 Years
- BMW® Direct Fit Speakers – 2 Years
- All other products – 1 Year
- Any Factory Refurbished Product – 90 days (receipt required)

What is Covered

This warranty applies only to Rockford Fosgate products sold to consumers by Authorized Rockford Fosgate Dealers in the United States of America or its possessions. Product purchased by consumers from an Authorized Rockford Fosgate Dealer in another country are covered only by that country's Distributor and not by Rockford Corporation.

Who is Covered

This warranty covers only the original purchaser of Rockford product purchased from an Authorized Rockford Fosgate Dealer in the United States. In order to receive service, the purchaser must provide Rockford with a copy of the receipt stating the customer name, dealer name, product purchased and date of purchase.

Products found to be defective during the warranty period will be repaired or replaced (with a product deemed to be equivalent) at Rockford's discretion.

What is Not Covered

1. Damage caused by accident, abuse, improper operations, water, theft, shipping.
2. Any cost or expense related to the removal or reinstallation of product.
3. Service performed by anyone other than Rockford or an Authorized Rockford Fosgate Service Center.
4. Any product which has had the serial number defaced, altered, or removed.
5. Subsequent damage to other components.
6. Any product purchased outside the U.S.
7. Any product not purchased from an Authorized Rockford Fosgate Dealer.

Limit on Implied Warranties

Any implied warranties including warranties of fitness for use and merchantability are limited in duration to the period of the express warranty set forth above. Some states do not allow limitations on the length of an implied warranty, so this limitation may not apply. No person is authorized to assume for Rockford Fosgate any other liability in connection with the sale of the product.

How to Obtain Service

Contact the Authorized Rockford Fosgate Dealer you purchased this product from. If you need further assistance, call 1-800-669-9899 for Rockford Customer Service. You must obtain an RA# (Return Authorization number) to return any product to Rockford Fosgate. You are responsible for shipment of product to Rockford.

EU Warranty

This product meets the current EU warranty requirements, see your Authorized dealer for details.

Installation assistance available at:

RFTECH

www.rockfordfsgate.com/rftech

123114

1230-57413-03

Printed in China

600 South Rockford Drive • Tempe, Arizona 85281 United States
Direct: (480) 967-3565 • Toll Free: (800) 669-9899

ROCKFORDFSGATE.COM

