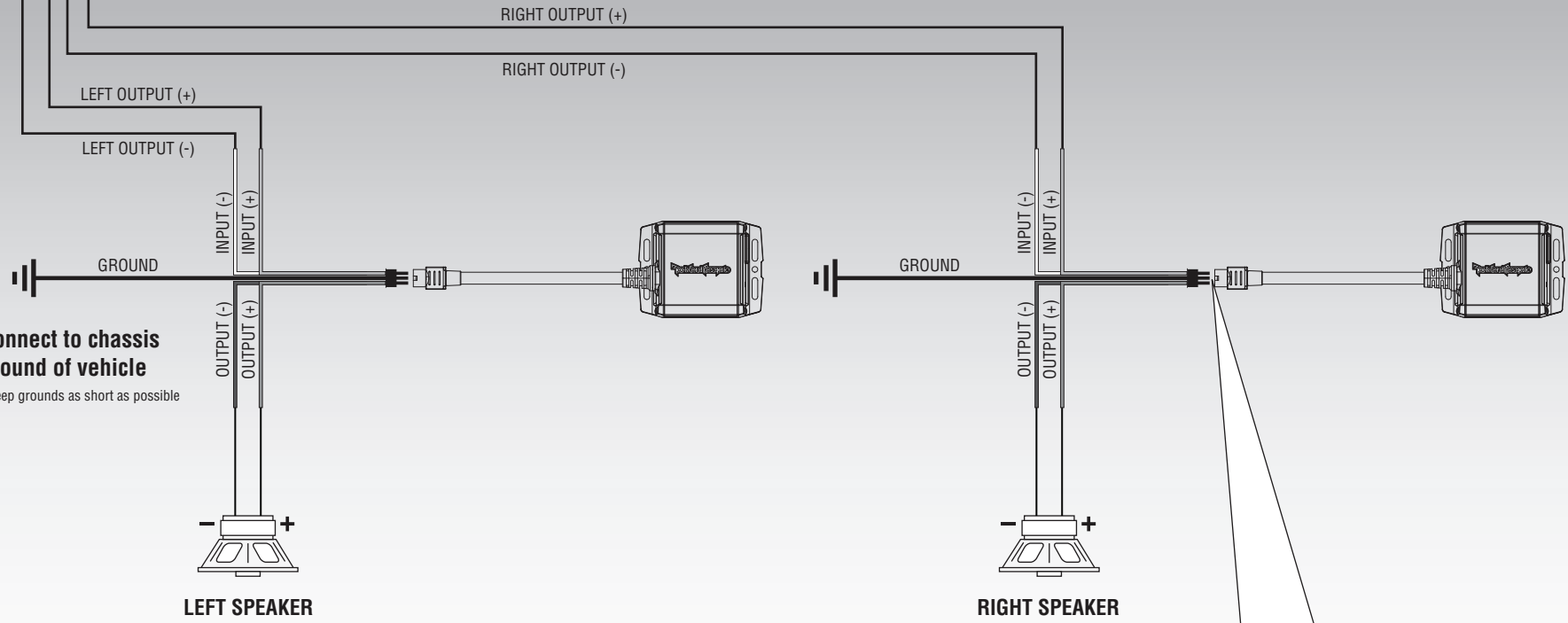
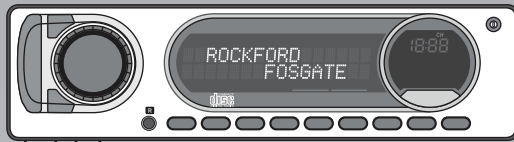
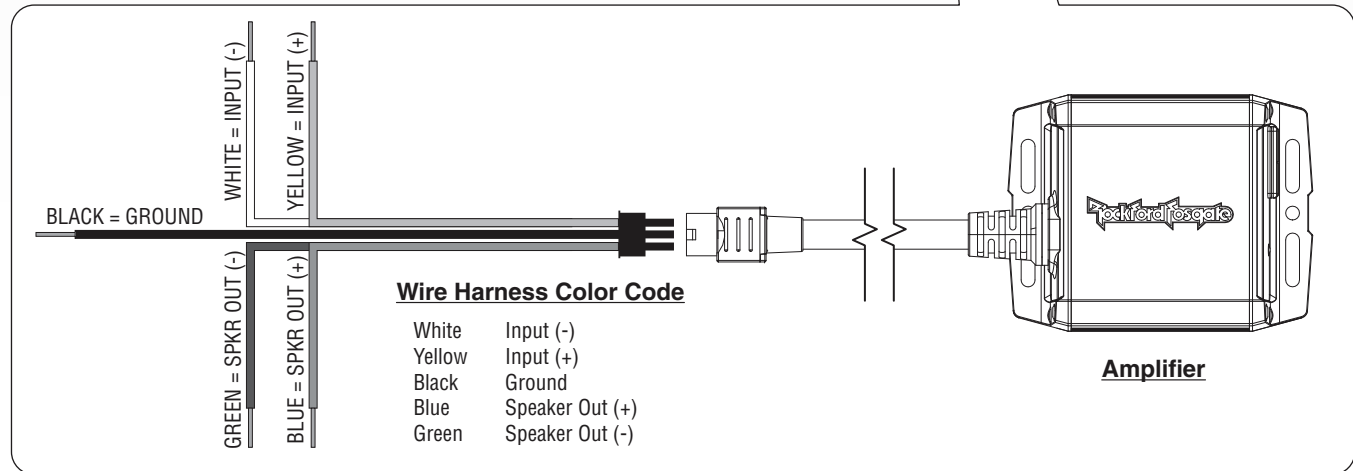


## Source Unit



**Connect to chassis ground of vehicle**

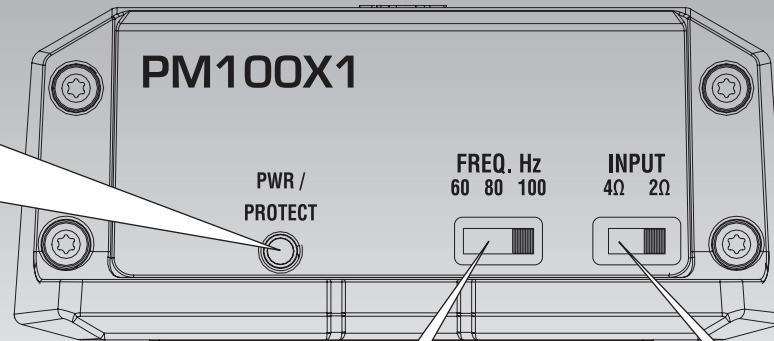
\*Keep grounds as short as possible



### LED - Power / Protect

Power LED illuminates blue when the unit is turned on.

Protect LED illuminates red if a short circuit or too low of an impedance is detected at the speaker connections. The amplifier will automatically shut down if this occurs.



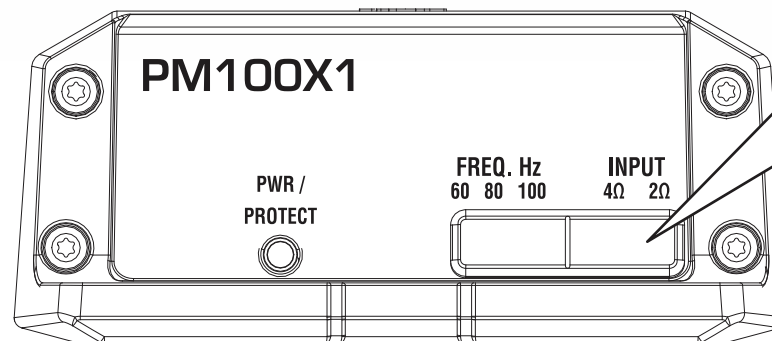
### Crossover - 60/80/100 Hz

Selectable 12dB/Oct HP Butterworth Crossover at 60, 80, and 100 Hz.

### Input - 2/4 ohm

Selectable input switch for impedance capability of the source unit (radio).

CAUTION: Selecting 2 ohm may damage the radio if it's not 2 ohm stable.



### IP67 - Water Resistant

The rubber switch cover needs to be installed to prevent water and dirt intrusion into the amplifier. Failure to install the covers will leave the amplifier susceptible to damage from moisture and dirt.



# CERTIFICATE OF PERFORMANCE VERIFICATION



Model #: **PM100X1**    Serial #: XXXXXXXXXX    Birth Date: **7/13/2016**    Test System: **RF-RATS-1**

SYSTEM OPERATION	<b>Idle Current</b> Measure Current Draw at Idle										<b>System Voltage</b> Check System Reference Voltages																	
	A <b>PASS</b>										v1 <b>PASS</b> v2 <b>N/A</b>																	
	<b>Bias</b> Set Output Channel Bias										<b>High Rail Voltage</b> Check Amplifier Rail Voltages																	
	CH1		N/A		CH2		N/A		CH3		N/A		CH4		N/A		v1		PASS		v2		N/A		v3		N/A	
	<b>DC Offset</b> Check for No DC Voltage on Outputs										<b>Low Rail Voltage</b> Check Amplifier Rail Voltages																	
	CH1		0.01		CH2		N/A		CH3		N/A		CH4		N/A		CH5		N/A		v1		PASS		v2		PASS	
<b>Dark Current</b> Current Draw < 100uA										<b>Gain Tracking</b> Check Gain Tracking Between Channels (dB)																		
A <b>PASS</b>										CH1		N/A		CH2		N/A		CH3		N/A		CH4		N/A				

SIGNAL	<b>Frequency Response</b> 20Hz-20kHz Sweep @ 1W RMS										<b>High Pass Crossover Check</b> 20Hz-20kHz Sweep @ 1W RMS																													
	CH1		PASS		CH2		N/A		CH3		N/A		CH4		N/A		CH5		N/A		CH1		PASS		CH2		N/A		CH3		N/A		CH4		N/A		CH5		N/A	
	<b>Remote Level &amp; 2/4/5 Ch. Select Check</b> 20Hz-20kHz Sweep @ 1W RMS										<b>Low Pass Crossover &amp; Punch EQ Check</b> 20Hz-20kHz Sweep @ 1W RMS																													
	CH1		N/A		CH2		N/A		CH3		N/A		CH4		N/A		CH5		N/A		CH1		N/A		CH2		N/A		CH3		N/A		CH4		N/A		CH5		N/A	
	<b>Common Mode Rejection Rated</b> 20Hz-20kHz Sweep @ 1W RMS										<b>Channel Separation from Left to Right</b> 20Hz-20kHz Sweep @ Rated RMS Power																													
	CH1		PASS		CH2		N/A		CH3		N/A		CH4		N/A		CH5		N/A		CH1		N/A		CH2		N/A		CH3		N/A		CH4		N/A		CH5		N/A	
<b>Signal to Noise Ratio</b> 20Hz-20kHz Sweep @ Rated RMS Power										<b>Total Harmonic Distortion</b> 20Hz-20kHz Sweep @ 1W RMS (%)																														
CH1		PASS		CH2		N/A		CH3		N/A		CH4		N/A		CH5		N/A		CH1		0.27		CH2		N/A		CH3		N/A		CH4		N/A		CH5		N/A		
<b>Input Sensitivity</b> Check Sensitivity @ Minimum										<b>Total Harmonic Distortion Rated (%)</b> 20Hz-20kHz Sweep @ Rated RMS Power																														
CH1		PASS		CH2		N/A		CH3		N/A		CH4		N/A		CH5		N/A		CH1		0.00		CH2		N/A		CH3		N/A		CH4		N/A		CH5		N/A		

RELIABILITY	<b>Short Protect</b> Short All Channels Sequentially @ 1% THD										<b>Thermal Test</b> Thermistor Voltage Check																													
	CH1		PASS		CH2		N/A		CH3		N/A		CH4		N/A		CH5		N/A		TH1		PASS		TH2		N/A		TH3		N/A		TH4		N/A		TH5		N/A	
	<b>Burn-In Amplifier</b> Accelerated Life Monitor (45 sec. @ 1% THD)																																							
CH		PASS		TH		PASS		V		PASS		BIAS		N/A		IR		PASS																						

POWER	<b>Channel Power</b> Individual Channel Power @ 1% THD <span style="font-size: 2em; font-weight: bold;">@2 Ω</span>										<b>Total Power</b> Total RMS Power @ 1% THD																			
	CH1		101		CH2		N/A		CH3		N/A		CH4		N/A		CH5		N/A		101 watts									
	<b>Total Power</b> Total RMS Power @ Each Impedance @ 1% THD																													
4Ω		64		2Ω		101		1Ω		N/A		2/1Ω		N/A																

ALL Rockford Fosgate amplifiers are designed, developed, manufactured and tested in accordance with the CEA-2006 amplifier rating requirements. All tests conducted at 14.4Vdc, Min. Impedance, 1kHz(ab/ad) or 100Hz (bd) unless otherwise stated.  
 ©2013 Rockford Corporation. All Rights Reserved. ROCKFORD FOSGATE, and associated logos where applicable are registered trademarks of Rockford Corporation in the United States and/or other countries. All other trademarks are the property of their respective owners. Specifications subject to change without notice.





## Are You Engineered to Rock?

**Get a One-Year Extended Warranty when you use a matching Rockford Fosgate Amplifier Installation kit with your Amplifier!**

We want you to get the performance and reliability that made Rockford Fosgate Amplifiers famous. Using poor-quality under-spec wiring is a guaranteed way to get less than you paid for from your system.

We are so certain that getting your system wired to rock with the right wire and cables will make a difference, that we will give you an additional 1 year warranty on your amp when you use the matching amplifier installation kit. See your dealer to determine the matching kit for your amplifier.

To extend your warranty under this program attach the serial number sticker or UPC code removed from the original amplifier installation kit package in the box below. Keep this form along with your original purchase receipt.

One warranty extension per amplifier regardless of the number of amplifier kits purchased. Amplifier and wiring kit must be purchased at the same time.

### What is Covered

This warranty applies only to Rockford Fosgate products sold to consumers by Authorized Rockford Fosgate Dealers in the United States of America or its possessions. Product purchased by consumers from an Authorized Rockford Fosgate Dealer in another country are covered only by that country's Distributor and not by Rockford Corporation.

### Who is Covered

This warranty covers only the original purchaser of Rockford product purchased from an Authorized Rockford Fosgate Dealer in the United States. In order to receive service, the purchaser must provide Rockford with a copy of the receipt stating the customer name, dealer name, product purchased and date of purchase. Products found to be defective during the warranty period will be repaired or replaced (with a product deemed to be equivalent) at Rockford's discretion.

### What is Not Covered

1. Damage caused by accident, abuse, improper operations, water, theft, shipping
2. Any cost or expense related to the removal or reinstallation of product
3. Service performed by anyone other than Rockford or an Authorized Rockford Fosgate Service Center
4. Any product which has had the serial number defaced, altered, or removed
5. Subsequent damage to other components
6. Any product purchased outside the U.S.
7. Any product not purchased from an Authorized Rockford Fosgate Dealer

### Limit on Implied Warranties

Any implied warranties including warranties of fitness for use and merchantability are limited in duration to the period of the express warranty set forth above. Some states do not allow limitations on the length of an implied warranty, so this limitation may not apply. No person is authorized to assume for Rockford Fosgate any other liability in connection with the sale of the product.

### How to Obtain Service Under the Extended Warranty Program

The amplifier must be returned by the customer (you) or an authorized Rockford Fosgate retailer with a copy of the original receipt and the ORIGINAL Performance Verification Certificate with the serial number or UPC code from the amp installation kit. Contact your Authorized Rockford Fosgate Dealer or our Customer Support Specialists (1-800-669-9899) for assistance.

### EU Warranty

This product meets the current EU warranty requirements, see your Authorized dealer for details. "This Additional One-Year Warranty" is only available where allowed under local laws.

Attach Amplifier Installation Kit  
Serial Number or UPC Code from  
original packaging here.