

**2014+ H-D
SADDLEBAG LID
SPEAKER KIT**

TMS69BL14



Introduction

Dear Customer,

Congratulations on your purchase of the world's finest brand of audio products. At Rockford Fosgate we are fanatics about musical reproduction at its best, and we are pleased you chose our product. Through years of engineering expertise, hand craftsmanship and critical testing procedures, we have created a wide range of products that reproduce music with all the clarity and richness you deserve.

For maximum performance we recommend you have your new Rockford Fosgate product installed by an Authorized Rockford Fosgate Dealer, as we provide specialized training through Rockford Technical Training Institute (RTTI). Please read your warranty and retain your receipt and original carton for possible future use.

Great product and competent installations are only a piece of the puzzle when it comes to your system. Make sure that your installer is using 100% authentic installation accessories from Rockford Fosgate in your installation. Rockford Fosgate has everything from RCA cables and speaker wire to power wire and battery connectors. Insist on it! After all, your new system deserves nothing but the best.

To add the finishing touch to your new Rockford Fosgate image order your Rockford accessories, which include everything from T-shirts to hats.

Visit our web site for the latest information on all Rockford products;

www.rockfordfosgate.com

or, in the U.S. call 1-800-669-9899 or FAX 1-800-398-3985. For all other countries, call +001-480-967-3565 or FAX +001-480-966-3983.

Table of Contents

2	Introduction
3	Installation
4	Warranty

If, after reading your manual, you still have questions regarding this product, we recommend that you see your Rockford Fosgate dealer. If you need further assistance, you can call us direct at **1-800-669-9899**. Be sure to have your serial number, model number and date of purchase available when you call.

PRACTICE SAFE SOUND

Continuous exposure to sound pressure levels over 100dB may cause permanent hearing loss. High powered auto sound systems may produce sound pressure levels well over 130dB. Use common sense and practice safe sound.

Safety

This symbol with "WARNING" is intended to alert the user to the presence of important instructions. Failure to heed the instructions will result in severe injury or death.



This symbol with "CAUTION" is intended to alert the user to the presence of important instructions. Failure to heed the instructions can result in injury or unit damage.



- To prevent injury and damage to the unit, please read and follow the instructions in this manual. We want you to enjoy this system, not get a headache.
- If you feel unsure about installing this system yourself, have it installed by a qualified Rockford Fosgate technician.
- Before installation, disconnect the battery negative (-) terminal to prevent damage to the unit, fire and/or possible injury.

Model	TMS69
Nominal Diameter - inch (mm)	6 x 9 (152 x 229)
Description	2-Way
Nominal Impedance (Ohms)	4Ω
Frequency Response (Hz)	56-20kHz
Voice Coil Diameter - inch (mm)	1.4 (35.6)
Power Handling - Watts (RMS/Peak)	100/200
Fs - Free Air Resonance (Hz)	75
Qts	1.63
Vas - cu. ft. (Liter)	0.593 (16.8)
Sensitivity (1W/1M)	89dB
Sensitivity (2.83V/1M)	92dB
Xmax - inch (mm)	0.12 (3)
Mounting Diameter	8.7 x 5.8 (218 x 147)
Mounting Depth	2.8 (71)
Grille/Trim Ring	NO

See page 4 for additional dimensions



CEA 2031

Power handling on Rockford Fosgate speakers conform to CEA-2031 industry standards. This means your speaker has the capacity to handle power under continuous demand, not instantaneous power handling that over time can damage voice coils.

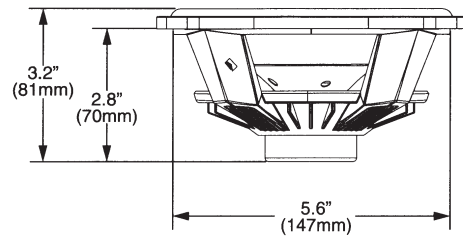
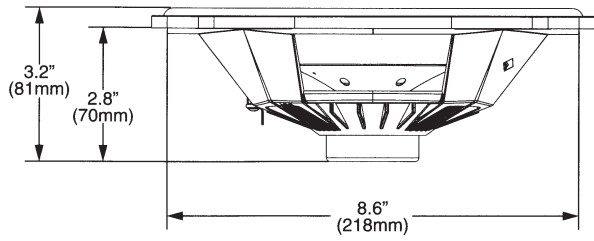
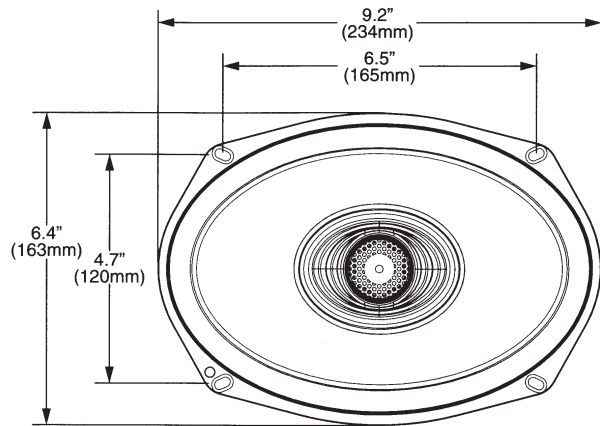


VERIFIED WITH KLIPPEL

To adorn the 'Verified with Klippel' mark, the qualifying company's loudspeaker engineering personnel must be trained and certified by Klippel prior to using the three separate Klippel systems to design, develop and test. Rockford Fosgate has made the investment in Klippel to deliver the best possible speakers and subwoofers to their customers.

Specifications

TMS69



Contents

- (2) TMS69 Speakers
- (2) Speaker Grilles
- (2) Mounting Rings
- (2) Cutting Templates
- (16) Mounting Screws
- (1) Main Harness
- (2) Saddlebag Harnesses
- Plastic Wire Tie Wraps
- Plastic Cable Tie Mounts

Installation Tools

The following is a list of suggested tools needed for installation:

- Drill
- Jigsaw / Airsaw
- 1/8" Drill Bit
- 5/16" Drill Bit
- 3/4" Hole Saw
- Wire Cutters
- Small Flat Blade Screwdriver
- Phillips Screwdriver
- Torx Drivers
- Socket set
- Masking Tape

Installation Considerations

This section focuses on some considerations for installing your Harley-Davidson® saddlebag lid speaker kit.

If you feel unsure about installing this system yourself, have it installed by a qualified technician.

When drilling holes, make sure what is on the other side. Be sure that any electrical, fuel lines or any other important components are free and clear from the area.

⚠ WARNING

Before installation, disconnect the battery negative (-) terminal to prevent damage to the unit, fire and/or possible injury.

⚠ CAUTION

Before beginning any installation, follow these simple rules:

⚠ CAUTION

Be sure to carefully read and understand the instructions before attempting to install these speaker kits.

- Consult your motorcycles's service manual for model specific information. Models may differ from year to year depending on factory options and aftermarket accessories added.
- This speaker kit is specifically designed to work with Rockford Fosgate's Punch® and Power series compact amplifiers.
- With the addition of an amplifier or source unit, be sure that your current charging system is in proper working order.
- Visit rockfordfosgate.com for more comprehensive product information.
- Visit our [YouTube](#) channel for comprehensive installation videos demonstrating complete installation guides and install tips.

NEED HELP WITH YOUR INSTALLATION?



YOUTUBE VISIT OUR CHANNEL FOR A COMPLETE INSTALLATION VIDEO AND OTHER TIPS
WWW.YOUTUBE.COM/USER/ROCKFORDFOSGATE

Applicable Models:

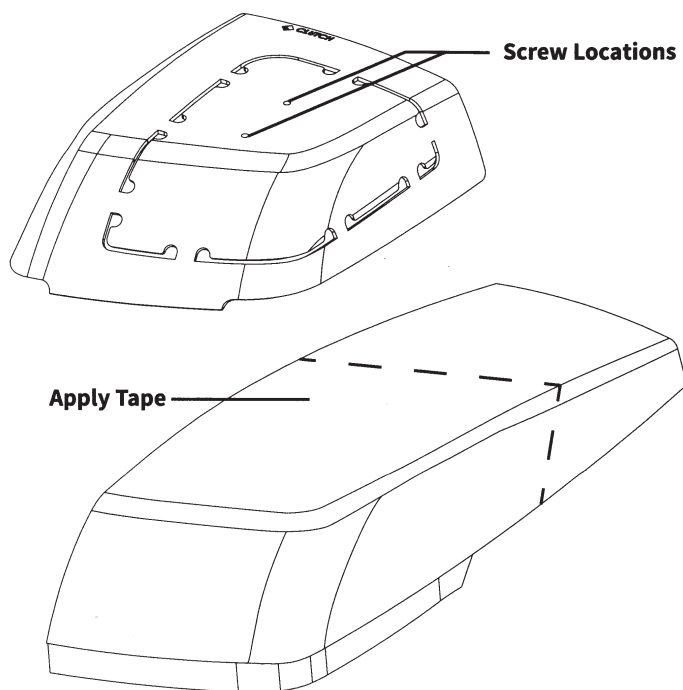
2014+ Harley-Davidson® Motorcycles with Factory Saddlebags

This saddlebag lid speaker kit is designed to work with Rockford Fosgate's compact chassis Punch® and Power series amplifiers.

- Step 1. Remove the saddlebag lids, seat, gas tank and fairing cover from the motorcycle.
- Step 2. Using masking tape, tape over the painted portion of your saddlebag lids.

NOTE: This will prevent any scratching of the factory paint during the installation process.

NOTE: Be sure the template sits snug on all sides and corners of the saddlebag lid before securing.



- Step 3. Apply the template to the saddlebag lid and secure using (2) screws that came with the kit.

NOTE: There is a brake and clutch side specific template for each lid. You can use an 1/8" drill bit to predrill holes before screwing the template to the lid. Be sure the template is secured and wont move.

- Step 4. Once the template is secured, use a 5/16" drill bit and drill holes in the template.

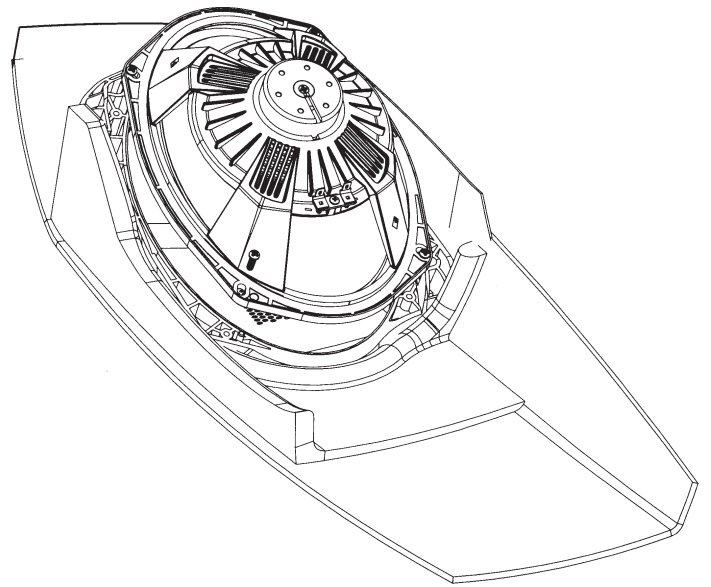
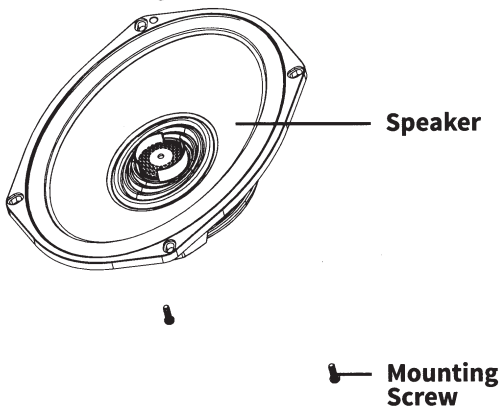
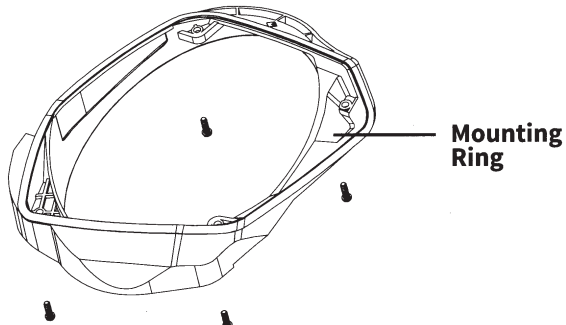
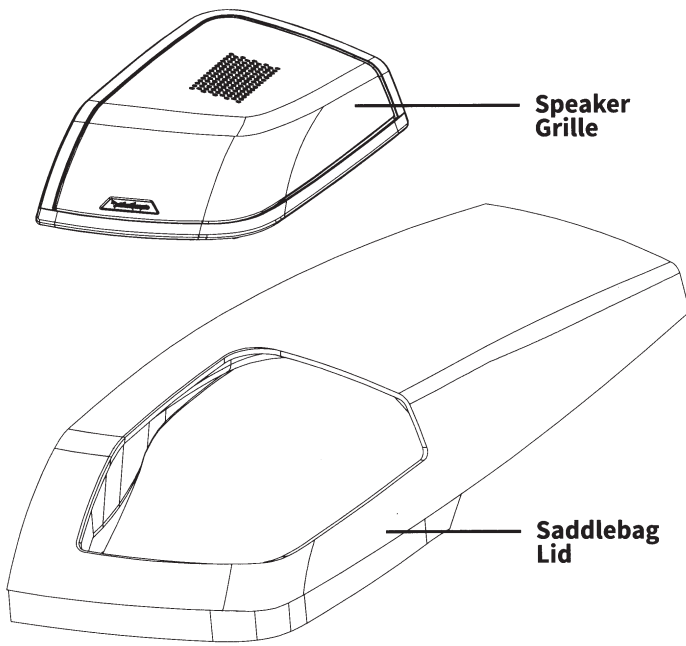
NOTE: We suggest drilling at every segment to make sawing easier.

- Step 5. Using a jigsaw, follow along the template.

NOTE: DO NOT cut the segments of the template until all of the slots have been cut. This will help maintain accuracy and fitment for the grilles.

NOTE: When cutting, be sure that the saw blade stays in between the edges of the template. Cutting into the template will lead to fitment issues.

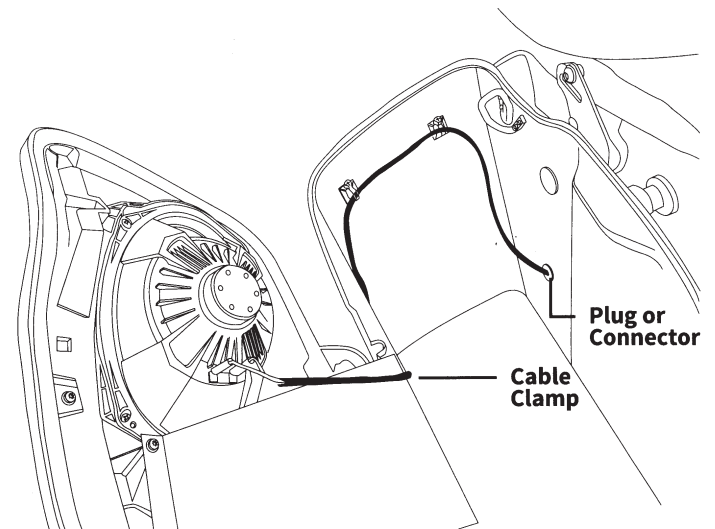
Installation



Step 6. Next you will attach the speaker, grille and mounting ring to the lid using the supplied screws.

NOTE: It is easiest to place the grille into the hole that has been cut into the lid and place upside down on a bench. Then place the appropriate mounting ring onto the grille, along with the speaker. Secure with the supplied screws.

Step 7. Run the main harness up the back bone of the bike and to the amplifier under the fairing.



Step 8. Drill a 3/4" hole on the inside of the bag for the saddlebag harness. Once the hole is drilled, insert through the hole and secure the grommet.

Step 9. Place the adhesive backed plastic cable tie mounting tab to the inside of the bag.

Step 10. Route the wire along the inside of the bag and secure to the plastic cable tie mounting tab with the supplied plastic wire ties.

Step 11. Reattach your saddlebag lid and connect the harness to the speaker.

Step 12. Test system and reassemble the motorcycle.

Warranty

Rockford Corporation offers a limited warranty on Rockford Fosgate products on the following terms:

Length of Warranty

POWER Amplifiers – 2 Years

BMW® Direct Fit Speakers – 2 Years

PUNCH® & PRIME® Amplifiers – 1 Year

Speakers, Signal Processors, Accessories and Capacitors – 1 Year

All marine, motorcycle, motorsport products - 2 Years

Any Factory Refurbished Product – 90 Days (receipt required)

What is Covered

This warranty applies only to Rockford Fosgate products sold to consumers by authorized Rockford Fosgate dealers in the United States of America. Products purchased by consumers from an Authorized Rockford Fosgate Dealer in another country are covered only by that country's Distributor and not by Rockford Corporation.

Who is Covered

This warranty covers only the original purchaser of Rockford product purchased from an authorized Rockford Fosgate dealer in the United States. In order to receive service, the purchaser must provide Rockford with a copy of the receipt stating the customer name, dealer name, product purchased and date of purchase.

Products found to be defective during the warranty period will be repaired or replaced (with a product deemed to be equivalent) at Rockford's discretion.

What is Not Covered

1. Damage caused by accident, abuse, improper installation, operations, theft, water (on non-Element Ready products).
2. Any cost or expense related to the removal or reinstallation of product.
3. Service performed by anyone other than Rockford or an authorized Rockford Fosgate service center.
4. Any product which has had the serial number defaced, altered, or removed.
5. Subsequent damage to other components.
6. Any product purchased outside the U.S.
7. Any product not purchased from an authorized Rockford Fosgate dealer. Refer to rockfordfosgate.com dealer locator for more detail.

Limit on Implied Warranties

Any implied warranties including warranties of fitness for use and merchantability are limited in duration to the period of the express warranty set forth above. Some states do not allow limitations on the length of an implied warranty, so this limitation may not apply. No person is authorized to assume for Rockford Fosgate any other liability in connection with the sale of the product.

How to Obtain Service

Please call 1-800-669-9899 for Rockford Customer Service. You must obtain an RA# (Return Authorization number) to return any product to Rockford Fosgate. You are responsible for shipment of product to Rockford.

EU Warranty

This product meets the current EU warranty requirements, see your Authorized dealer for details.

— Installation assistance available at: —

RFTECH

— www.rockfordfosgate.com/rftech —

062117 1230-62230-01-A

Printed in China

600 South Rockford Drive • Tempe, Arizona 85281 United States
Direct: (480) 967-3565 • Toll Free: (800) 669-9899

ROCKFORDFOSGATE.COM

