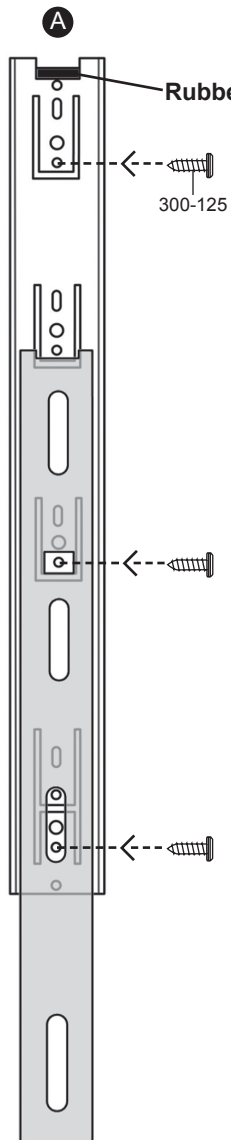


# chameleon media tray

## ASSEMBLY INSTRUCTIONS



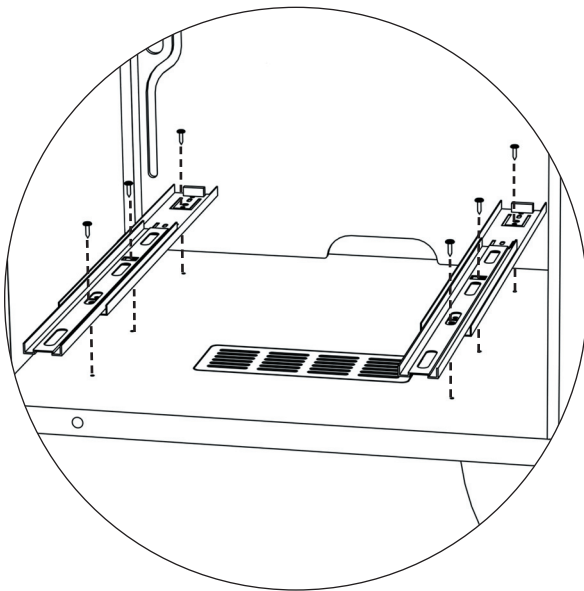
**Rubber Stop:** Indicates back of the slide.

300-125

### 1 Attach Slides

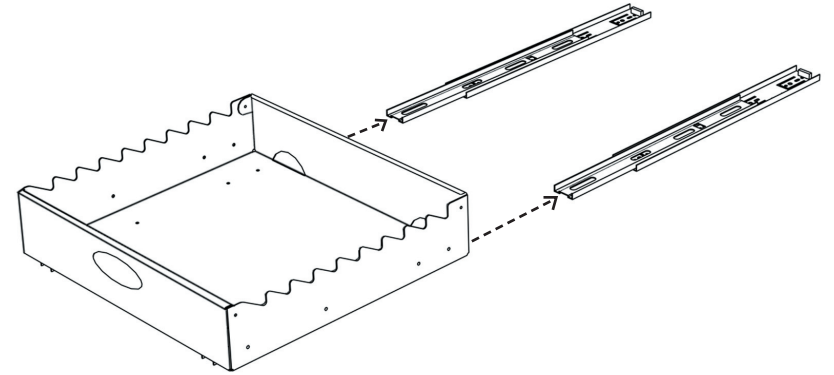
Extend slides to allow access to holes.

Screw slides to base of cabinet (refer to diagram A).



### 2 Place Tray

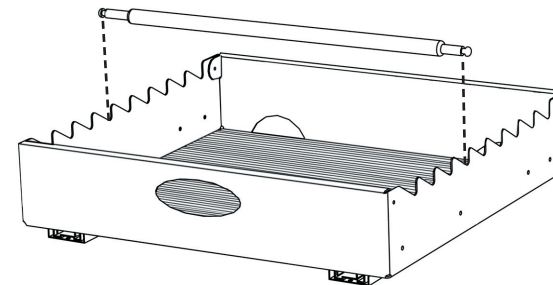
Firmly fit media tray into slides until it clicks in place.



### 3 Final Assembly

Place mat on bottom of tray.

Use media organizer to keep CD's and DVD's upright.



### Limited Warranty

Five full years Salamander Designs Ltd will repair or replace, at our option, any product defective in materials or craftsmanship. Salamander Designs Ltd. will not be responsible for any damage to or destruction of other equipment consequential to our equipment failure. Defective product must be given Return Authorization and is to be returned to the factory prepaid, in the original carton and packing material. Any damage incurred in a shipment not in original packaging shall be the responsibility of the owner. Warranty repairs will be returned prepaid, via UPS within the continental U.S.A. only.

Visit us at [www.salamanderdesigns.com](http://www.salamanderdesigns.com).