

## ADJUSTMENTS

To change the tilt of your projector, use Allen Key (D) to first loosen the Allen Screws on the Mount Base (M). Tilt the projector into the desired position and re-tighten the screws.

To change the direction your projector faces, first loosen the set screw with the Allen Key (E). Turn the projector to the desired direction and re-tighten the set screw.

**WARNING:** When adjusting the direction, only turn the mount enough to reach the desired direction. **DO NOT CONTINUALLY TURN THE PROJECTOR IN A COUNTER-CLOCKWISE DIRECTION!** This can cause the mount to come apart and may cause damage and/or injury.



### Lifetime Limited Warranty

Strong™ Mounts have a Lifetime Limited Warranty. This warranty includes parts and labor repairs on all components found to be defective in material or workmanship under normal conditions of use. This warranty shall not apply to products which have been abused, modified or disassembled. Products to be repaired under this warranty must be returned to Snap AV or a designated service center with prior notification and an assigned return authorization number (RA).

For Technical Support call 1.866.838.5052



engineered by  
**Snap**  
av

10405 Granite Street Charlotte, NC 28273 | 1.866.424.4489

# SM-PROJ-M-BLK

## Strong™ Universal Projector Mount for Medium Size Projectors (Black)



engineered by  
**Snap**  
av

## INSTRUCTION MANUAL

# ASSEMBLY INSTRUCTIONS

## SPECIFICATIONS

- Maximum load: 30 lbs.
- Tilt range: +/- 70°
- Horizontal rotation: 360°

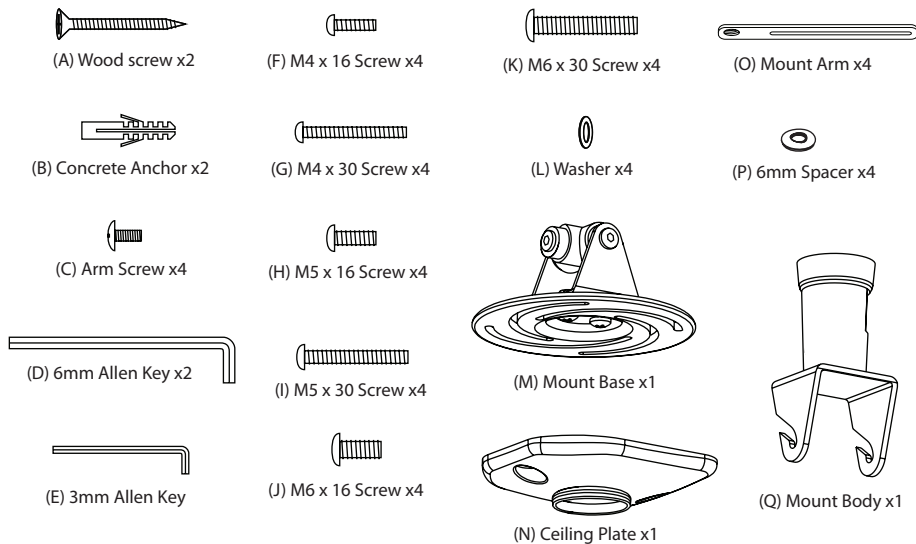
## BOX CONTENTS

- Wall mount
- Instruction manual
- Hardware kit

## WARNINGS

1. Make sure these instructions are read and thoroughly understood before attempting installation. If you are unsure of any part of the installation process, contact a professional installer for assistance.
2. The wall or mounting surface must be capable of supporting the combined weight of the mount and the display; otherwise the structure must be reinforced.
3. Safety gear and proper tools must be used. Failure to do so can result in property damage and/or serious injury.
4. Follow all instructions and recommendations regarding adequate ventilation and suitable locations for mounting your display. Consult the owner's manual for your display for more information.

## PACKAGE CONTENTS



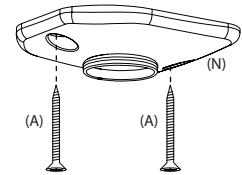
## TOOLS REQUIRED

- Phillips Head Screw Driver
- Electric or Portable Drill
- 3/16" (5 mm) Drill Bit and Stud Finder for Drywall Installation
- 5/16" (8 mm) Masonry Bit for Concrete Installation

## INSTALLATION

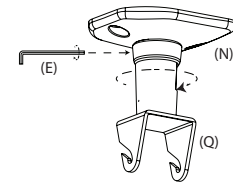
### Step 1 - Installing The Ceiling Plate

Attach the Ceiling Plate (N) to the ceiling using the Wood Screws (A). If you are installing into a concrete ceiling, also use the Concrete Anchors (B).



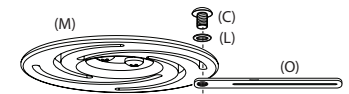
### Step 2 - Installing the Mount Body

Screw the Mount Body (Q) onto the Ceiling Plate (N) by turning it clockwise. Tighten the set screw(s) using the Allen Key (E).



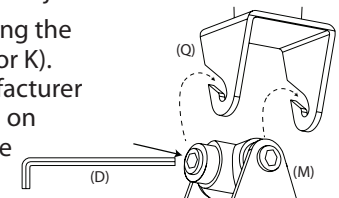
### Step 3 - Attaching the Mount Arms to the Mount Base

Secure the Mount Arms (O) to the Mount Base (M) using the Arm Screws (C) and Washers (L). Leave the Arm Screws (C) loose so that you can adjust them when attaching the projector.



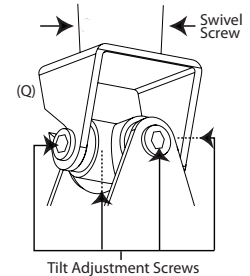
### Step 4 - Attaching the Mount Arm Assembly to the Projector

Attach your projector to the Mount Arms (O) using the correct screw from the hardware kit (F, G, H, I, J, or K). If none of these screws fit, check with the manufacturer of your projector for the proper size. Depending on the surface of the projector, you may want to use spacers (P) between arm and projector. Once attached, make sure all screws are tight.



### Step 5 - Attaching the Projector to the Mount Body

Carefully hook the Mount Base (M) with your projector attached to the Mount Body (Q). Tighten the Allen Screws on all four sides of the Mount Base (M) with Allen Key (D) to prevent the projector from being knocked off the Mount Body (Q).



Installation is now complete.

Hint: Using both Allen Keys (D), one on each side, will help with consistent tightening.