

# TEAC

D01412021C

# VRDS-701T

ENGLISH

FRANÇAIS

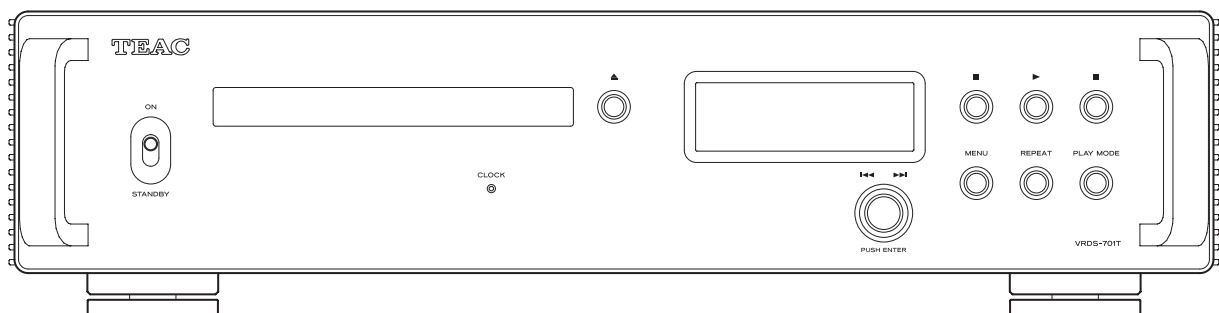
## CD Transport

ESPAÑOL

OWNER'S MANUAL

MODE D'EMPLOI

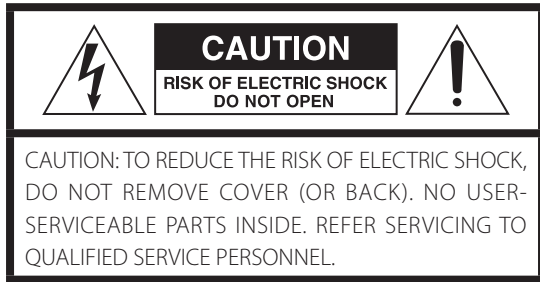
MANUAL DEL USUARIO



COMPACT  
disc  
DIGITAL AUDIO

MQA

# IMPORTANT SAFETY INSTRUCTIONS



The lightning flash with arrowhead symbol, within an equilateral triangle, is intended to alert the user to the presence of uninsulated "dangerous voltage" within the product's enclosure that may be of sufficient magnitude to constitute a risk of electric shock to persons.



The exclamation point within an equilateral triangle is intended to alert the user to the presence of important operating and maintenance (servicing) instructions in the literature accompanying the appliance.

**WARNING: TO PREVENT FIRE OR SHOCK HAZARD, DO NOT EXPOSE THIS APPLIANCE TO RAIN OR MOISTURE.**

## CAUTION

- DO NOT REMOVE THE EXTERNAL CASES OR CABINETS TO EXPOSE THE ELECTRONICS. NO USER SERVICEABLE PARTS ARE INSIDE.
  - IF YOU ARE EXPERIENCING PROBLEMS WITH THIS PRODUCT, CONTACT THE STORE WHERE YOU PURCHASED THE UNIT FOR A SERVICE REFERRAL. DO NOT USE THE PRODUCT UNTIL IT HAS BEEN REPAIRED.
  - USE OF CONTROLS OR ADJUSTMENTS OR PERFORMANCE OF PROCEDURES OTHER THAN THOSE SPECIFIED HEREIN MAY RESULT IN HAZARDOUS RADIATION EXPOSURE.
- 1) Read these instructions.
  - 2) Keep these instructions.
  - 3) Heed all warnings.
  - 4) Follow all instructions.
  - 5) Do not use this apparatus near water.
  - 6) Clean only with dry cloth.
  - 7) Do not block any ventilation openings. Install in accordance with the manufacturer's instructions.
  - 8) Do not install near any heat sources such as radiators, heat registers, stoves, or other apparatus (including amplifiers) that produce heat.
  - 9) Do not defeat the safety purpose of the polarized or grounding-type plug. A polarized plug has two blades with one wider than the other. A grounding type plug has two blades and a third grounding prong. The wide blade or the third prong are provided for your safety. If the provided plug does not fit into your outlet, consult an electrician for replacement of the obsolete outlet.
  - 10) Protect the power cord from being walked on or pinched particularly at plugs, convenience receptacles, and the point where they exit from the apparatus.

11) Only use attachments/accessories specified by the manufacturer.

12) Use only with the cart, stand, tripod, bracket, or table specified by the manufacturer, or sold with the apparatus. When a cart is used, use caution when moving the cart/apparatus combination to avoid injury from tip-over.



13) Unplug this apparatus during lightning storms or when unused for long periods of time.

14) Refer all servicing to qualified service personnel. Servicing is required when the apparatus has been damaged in any way, such as power-supply cord or plug is damaged, liquid has been spilled or objects have fallen into the apparatus, the apparatus has been exposed to rain or moisture, does not operate normally, or has been dropped.

- The apparatus draws nominal non-operating power from the AC outlet with its POWER or STANDBY/ON switch not in the ON position.
- The mains plug is used as the disconnect device; the disconnect device shall remain readily operable.
- Caution should be taken when using earphones or headphones with the product because excessive sound pressure (volume) from earphones or headphones can cause hearing loss.

## CAUTION

- Do not expose this apparatus to drips or splashes.
- Do not place any objects filled with liquids, such as vases, on the apparatus.
- The handle-like parts on the left and right sides of the front panel are decorative. Do not put your fingers through them or use them to carry the unit.
- Do not install this apparatus in a confined space such as a book case or similar unit.
- The apparatus should be located close enough to the AC outlet so that you can easily reach the power cord plug at any time.
- If the product uses batteries (including a battery pack or installed batteries), they should not be exposed to sunshine, fire or excessive heat.
- CAUTION for products that use replaceable lithium batteries: there is danger of explosion if a battery is replaced with an incorrect type of battery. Replace only with the same or equivalent type.

## WARNING

Products with Class **I** construction are equipped with a power supply cord that has a grounding plug. The cord of such a product must be plugged into an AC outlet that has a protective grounding connection.

**IN USA/CANADA, USE ONLY ON 120V SUPPLY.**

### ⚠ Precautions concerning batteries

Misuse of batteries could cause them to rupture or leak leading to fire, injury or the staining of nearby things. Please read and observe the following precautions carefully.

- Be sure to insert the batteries with correct positive (⊕) and negative (⊖) orientations.
- Use batteries of the same type. Never use different types of batteries together.
- If the remote control is not used for a long time (more than a month), remove the batteries to prevent them from leaking.
- If the batteries leak, wipe away the leakage inside the battery compartment and replace the batteries with new ones.
- Do not use batteries of types other than those specified. Do not mix new batteries with old ones or use different types of batteries together.
- Do not heat or disassemble batteries. Never throw batteries into fire or water.
- Do not carry or store batteries with other metallic objects. The batteries could short circuit, leak or explode.
- Never recharge a battery unless it is confirmed to be a rechargeable type.
- Do not expose batteries to extremely low air pressure as it could result in an explosion or leakage of flammable liquids or gases.

### Laser information

This laser product is a consumer laser product according to EN 50689:2021 and complies with all consumer laser product requirements except child appealing products.

This product contains a laser system and is classified as a CLASS 1 LASER PRODUCT according to IEC 60825-1:2014. This class does not require special attention in normal use. Do not take apart to prevent being exposed to the laser beam.

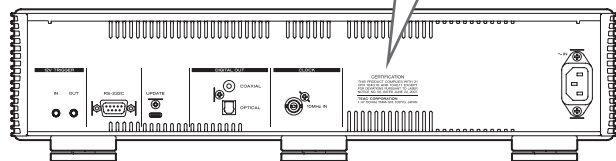
<b>Laser:</b>	
Type:	EP-C101
Manufacturer:	EVER BRIGHT ELECTRIC SCIENCE & TECHNOLOGY(BEIHAI)LTD.
Laser output:	0.7mW on the objective lens
Wavelength:	790 ±25 nm

### Model for USA

This product has been designed and manufactured according to FDA regulations "title 21, CFR, chapter 1, subchapter J, based on the Radiation Control for Health and Safety Act of 1968", and is classified as class **I** laser product. There is not hazardous invisible laser radiation during operation because invisible laser radiation emitted inside of this product is completely confined in the protective housings.

The label required in this regulation is as follows:

**CERTIFICATION**  
 THIS PRODUCT COMPLIES WITH 21  
 CFR 1040.10 AND 1040.11 EXCEPT  
 FOR DEVIATIONS PURSUANT TO LASER  
 NOTICE NO. 50, DATED JUNE 24, 2007.  
 -----  
**TEAC CORPORATION**  
 1-47 OCHIAI, TAMA-SHI, TOKYO, JAPAN



# IMPORTANT SAFETY INSTRUCTIONS (continued)

## Model for USA

### Supplier's Declaration of Conformity

Model number: VRDS-701T

Trade name: TEAC

Responsible party:

Please contact us from the address below.

<https://teac.jp/int/support/usa/contact>

This device complies with Part.15 of FCC Rules. Operation is subject to the following two conditions: (1) this device may not cause harmful interference, and (2) this device must accept any interference received, including interference that may cause undesired operation.

### Information

This equipment has been tested and found to comply with the limits for a Class B digital device, pursuant to Part 15 of the FCC Rules. These limits are designed to provide reasonable protection against harmful interference in a residential installation. This equipment generates, uses, and can radiate radio frequency energy and, if not installed and used in accordance with the instructions, may cause harmful interference to radio communications. However, there is no guarantee that interference will not occur in a particular installation. If this equipment does cause harmful interference to radio or television reception, which can be determined by turning the equipment off and on, the user is encouraged to try to correct the interference by one or more of the following measures:

- Reorient or relocate the equipment and/or the receiving antenna.
- Increase the separation between the equipment and receiver.
- Connect the equipment into an outlet on a circuit different from that to which the receiver is connected.
- Consult the dealer or an experienced radio/TV technician for help.

### CAUTION

Changes or modifications not expressly approved by the party responsible for compliance could void the user's authority to operate the equipment.



## Model for Canada

This Class B digital apparatus complies with Canadian ICES-003.

## Model for Europe



This product complies with the European Directives request, and the other Commission Regulations.

## Model for UK

This product complies with the applicable UK regulations.



## For European Customers

### Disposal of electrical and electronic equipment and batteries and/or accumulators

- All electrical/electronic equipment and waste batteries/accumulators should be disposed of separately from the municipal waste stream via collection facilities designated by the government or local authorities.
- By disposing of electrical/electronic equipment and waste batteries/accumulators correctly, you will help save valuable resources and prevent any potential negative effects on human health and the environment.
- Improper disposal of waste electrical/electronic equipment and batteries/accumulators can have serious effects on the environment and human health because of the presence of hazardous substances in the equipment.

- The Waste Electrical and Electronic Equipment (WEEE) symbols, which show wheeled bins that have been crossed out, indicate that electrical/electronic equipment and batteries/accumulators must be collected and disposed of separately from household waste.



If a battery or accumulator contains more than the specified values of lead (Pb), mercury (Hg), and/or cadmium (Cd) as defined in the Battery Directive (2006/66/EC, 2013/56/EU), then the chemical symbols **Pb, Hg, Cd** for those elements will be indicated beneath the WEEE symbol.



- Return and collection systems are available to end users. For more detailed information about the disposal of old electrical/electronic equipment and waste batteries/accumulators, please contact your city office, waste disposal service or the shop where you purchased the equipment.

MQA and the Sound Wave Device are registered trademarks of MQA Limited © 2016

Other company names, product names and logos in this document are the trademarks or registered trademarks of their respective owners.

## Contents

---

Thank you for choosing TEAC. Read this manual carefully to get the best performance from this unit.

After reading it, keep it in a safe place for future reference.

IMPORTANT SAFETY INSTRUCTIONS .....	2
Floating mounting of the CD mechanism .....	5
Discs .....	6
Included accessories .....	7
Using the TEAC International Site .....	7
Before use .....	7
Maintenance .....	8
MQA (Master Quality Authenticated) .....	8
Using the remote control .....	8
Remote control parts and functions .....	9
Main unit parts and functions .....	10
Connections .....	12
Display .....	15
Basic operation .....	16
Settings .....	20
Troubleshooting .....	23
Specifications .....	25

## Floating mounting of the CD mechanism

---

In order to enhance the audio quality, the entire CD mechanism employs a floating structure so it is not fixed to the chassis of the unit. The entire mechanism, including the tray, can move slightly forward, backward, left and right. This is by design and no cause for concern.

EN

# Discs

## Types of discs that can be played by this unit

CDs with the "COMPACT disc DIGITAL AUDIO" logo



CD-R and CD-RW discs that have been properly recorded and finalized using the audio CD format.

8cm CDs are not supported.  
Adapters cannot be used.

### CAUTION

**If you try to play any other type of disc with this unit, loud noises that could damage speakers or harm hearing might occur. Never try to play any type of disc other than those shown above.**

- This unit might not be able to properly play Copy Control CDs, Dual Discs or other special CDs that do not conform to the Red Book CD standard. Operation and sound quality cannot be guaranteed when special discs are used in this unit. If playback of a special disc should cause trouble, contact the seller of the disc.

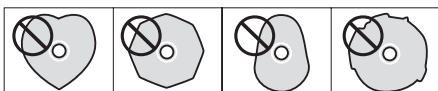
## CD-R/CD-RW discs

This unit can play CD-R/CD-RW discs that are in audio CD format (CD-DA).

- Be sure to finalize discs created by CD recorders.
- Depending on the quality of the disc and the condition of the recording, playback might not be possible. For details, see the operation manual for the device you are using.
- If you have any questions about how to handle a CD-R or CD-RW disc, contact the seller of the disc directly.

## Precautions for use

- Do not use cracked discs because they could damage the unit.
- When writing something on the label side of a disc, use a felt tip permanent marker. The use of a ballpoint pen or other pen with a hard tip could damage the disc, making it unplayable.
- Never use commercially-available CD stabilizers. Doing so could make the disc unplayable or damage the unit.
- Never use discs with irregular shapes, including heart-shaped and octagonal discs, because they could damage the unit.



- If a CD-R/CD-RW disc that has a printable label surface is left in this unit for a long time, it could stick to the inside and become extremely difficult to remove and possibly even cause the unit to malfunction.

Always remove such discs and store them in cases when not in use. Moreover, avoid using discs that have just been printed because they are especially prone to sticking.

## Handling discs

- Always load discs with their labeled sides up.
- Be careful when handling discs. If the side that contains the data (unlabeled side) is scratched, smudged with fingerprints or otherwise dirty or marred, errors could occur during playback.
- To remove a disc from its case, while pressing down on the center of the case, hold the disc by its edges.



Removing discs



Holding discs

## Storing discs

- Discs should be stored in their cases when not being used. Failure to do so could result in warping and scratches.
- Do not leave discs in places that are exposed to direct sunlight or that are very humid or hot. Doing so could cause discs to become deformed or degraded, making them unplayable.
- CD-R and CD-RW discs are more susceptible to the impacts of heat and ultraviolet rays than ordinary CDs. For this reason, do not leave them for long times in places that are exposed to direct sunlight or near devices that generate heat, for example.
- Always clean discs before storing them. Leaving a disc in an unclean state might result in skipping or degraded sound quality.

## Maintenance

- If the side of the disc that has the data encoded on it (unlabeled side) becomes dirty with fingerprints or dust, use a soft cloth to wipe the surface from the center directly toward the edge.



- Never use record cleaners, antistatic treatments, thinners or similar chemicals to clean discs. Such chemicals could harm the surface of the disc.

## Included accessories

Check to be sure the box includes all the supplied accessories shown below. Please contact the store where you purchased this unit if any of these accessories are missing or have been damaged during transportation.

**Power cord** × 1

**Remote control (RC-1338)** × 1

**Batteries for remote control (AAA)** × 2

**Foot pads** × 3

**Owner's manual (this document, including warranty)** × 1

- For information about the warranty, users living in the USA and Canada should see pages 74–75 and the back cover (warranty document). Users living in Europe and other regions should see page 75.

## Using the TEAC International Site

You can download updates for this unit from the TEAC International Site:

<https://teac.jp/int/>

Click LANGUAGE at the top right of the page and select the desired language to access a page in the corresponding language.

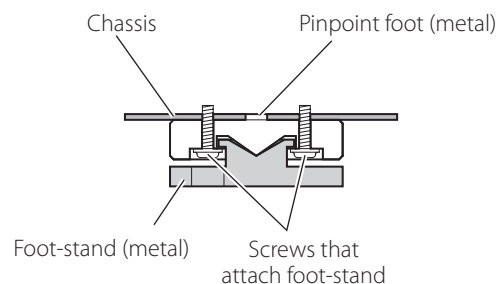
## Before use

- This equipment is very heavy, so take care to avoid injury when opening the packaging and when moving it.
- The handle-like parts on the left and right sides of the front panel are decorative. Do not put your fingers through them or use them to carry the unit.
- Do not install this unit in a location that could become hot. This includes places that are exposed to direct sunlight or near a radiator, heater, stove or other heating equipment. Moreover, do not place it on top of an amplifier or other equipment that generates heat. Doing so could cause discoloration, deformation or malfunction.
- Avoid locations that are subject to vibrations or exposed to excessive dust, cold or moisture.
- When installing this unit, leave a little space (at least 3 cm or 1") between it and walls and other devices in order to allow good heat dissipation.  
If you put it in a rack, for example, leave at least 5 cm (2") open above and 10 cm (4") open behind it. Failure to provide these gaps could cause heat to build up inside and result in fire.
- Place the unit in a stable location.
- Do not place anything on top of the unit.
- Do not lift or move the unit during playback because the disc rotates at high speed. Doing so could damage the disc.
- Always remove any loaded disc before moving this unit or packing it for installation in a different location, for example. Moving the unit with a disc inside could cause damage.
- The voltage supplied to the unit should match the voltage printed on the back of the unit. If you are in any doubt regarding this matter, consult an electrician.
- Do not open the body of the unit as this might result in damage to the circuitry or cause electric shock. If a foreign object should get into the unit, contact your dealer.
- When removing the power plug from the wall outlet, always pull directly on the plug; never yank on the cord.

### Note about pinpoint feet

High-precision metal pinpoint feet are attached to the bottom plate of this unit.

The pinpoint feet and their stands are loose, but when the unit is placed in position, it is supported by these pinpoint feet, which effectively disperse vibrations.



- The included foot pads are intended to protect the surface where the unit is placed. Apply them to the bottoms of the foot-stands to avoid scratching the surface where the unit is placed.

## Maintenance

Wipe dirt from the top cover and other panel surfaces using a soft cloth that has been slightly dampened with a diluted neutral cleanser.

Do not wipe with chemical cleaning cloths, thinner or other chemical agents. Doing so could damage the surface.

**⚠ For your safety, disconnect the power cord from the outlet before cleaning.**

## MQA (Master Quality Authenticated)

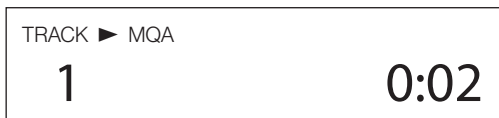
MQA is an award-winning British technology that delivers the sound of the original master recording. The master MQA file is fully authenticated and is small enough to stream or download.

Visit [mqa.co.uk](http://mqa.co.uk) for more information.

The VRDS-701T supports MQA, enabling core decoding of MQA-CDs to deliver the sound of original master recordings.

'MQA' or 'MQA.' indicates that the product is decoding an MQA-CD, and denotes provenance to ensure that the sound is identical to that of the source material. "MQA." indicates it is playing an MQA Studio file, which has either been approved in the studio by the artist/producer or has been verified by the copyright owner.

### Display example during MQA playback



## Using the remote control

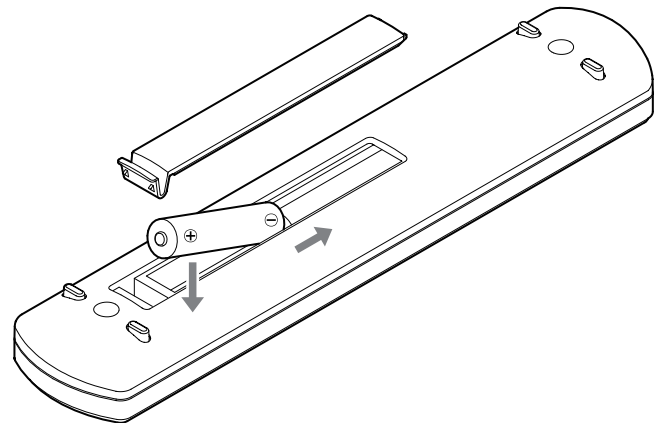
### Precautions for use

**⚠ Misuse of batteries could cause them to rupture or leak, which might result in fire, injury or the staining of nearby materials. Please read and observe the precautions on page 3 carefully.**

- When using the remote control, point it toward the remote control signal receiver on the main unit from a distance of 5 m (16 ft) or less. Do not place obstructions between the main unit and the remote control.
- The remote control might not work if the remote control signal receiver on the unit is exposed to direct sunlight or bright light. If this occurs, try moving the unit.
- Beware that use of this remote control could cause the unintentional operation of other devices that can be controlled by infrared rays.

### Installing batteries

Remove the cover from the back of the remote control and insert two AAA batteries with their ⊕/⊖ oriented as shown in the case. Replace the cover.



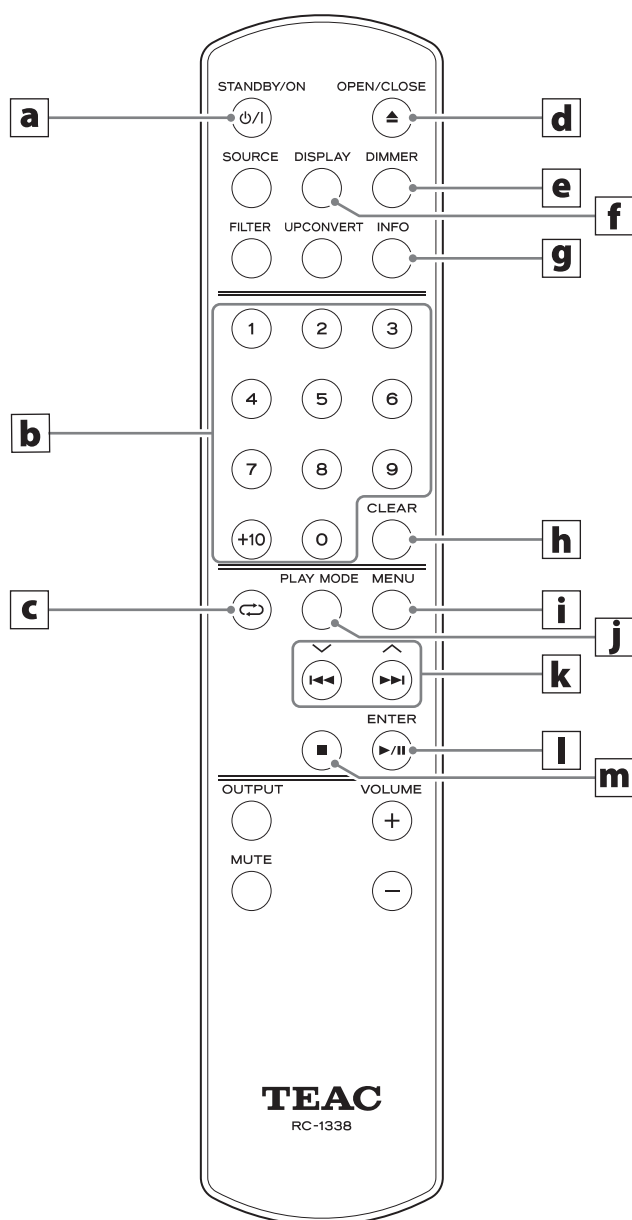
### When to replace batteries

If the distance required between the remote and the main unit decreases or if the main unit stops responding to the remote buttons, replace both batteries with new ones.

Dispose of the used batteries according to the instructions on them or requirements set by your local municipality.



# Remote control parts and functions



When the main unit and the remote control both have buttons with the same functions, this manual explains how to use one of the buttons. The other corresponding button can be used in the same manner.

## **a** STANDBY/ON button

Press this to put the unit into standby mode or turn it on.

## **b** Number buttons

Use these to select and program tracks, for example.

## **c** Repeat (↺) button

Use this to change the repeat playback setting (page 17).

## **d** Tray OPEN/CLOSE (▲) button

Press this to open and close the disc tray.

## **e** DIMMER button

Press this to adjust the brightness of the main unit's display.

## **f** DISPLAY button

## **g** INFO button

Press this to show playback format information (page 15).

## **h** CLEAR button

Use this to clear programmed tracks.

## **i** MENU button

Press this to enter setting mode (page 20).  
Press this when in setting mode to return to the previous screen.

## **j** PLAY MODE button

Press this to switch between program and shuffle playback modes.

## **k** Skip (◀▶, ▶▶) buttons/ up/down (^, v) buttons

Use these to skip to the previous or next track.  
Press and hold these buttons during playback to search backward/forward.

### When the menu screen is open

Use these buttons to select setting values.

## **l** Play/pause (▶ / ||) button/ ENTER button

Press this when stopped or paused to start or resume playback.  
Press this during playback to pause.

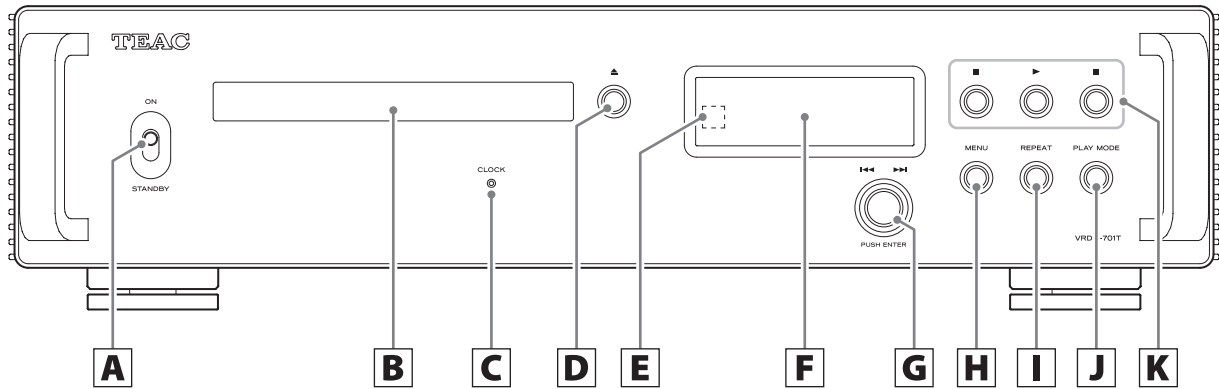
### When the menu screen is open

Press this to start or confirm setting value selection.

## **m** Stop (■) button

Press this during playback to stop playback.

# Main unit parts and functions



## A STANDBY/ON switch

Use this to put the unit into standby mode or turn it on.

- If the display is off even though the STANDBY/ON switch is set to ON, the cause is usually one of the following.
  - The power is on, but DIMMER (display brightness) is set to AUTO OFF (page 21).
  - The automatic power saving function has activated, putting the unit into standby (page 22).
  - The power cord is disconnected.
  - The unit is in standby because of the trigger function (page 14).

To turn the unit on when the automatic power saving function has activated, putting the unit into standby, press the STANDBY/ON button on the remote control, or set the STANDBY/ON switch to STANDBY once and then back to ON.

## B Disc tray

Load a disc here.

## C CLOCK indicator

This shows the clock synchronization status.

- Lit: The unit is currently synchronized with the clock from the CLOCK sync input (10MHz IN) connector.
- Blinking: No clock is being input, or the unit is trying to synchronize with the clock signal.
- Unlit: External clock is not being used.

- See page 21 for clock sync settings.

## D Tray open/close (▲) button

Press this to open and close the disc tray.

## E Remote control signal receiver

This receives signals from the remote control. When operating the remote control, point it at the remote control signal receiver.

## F Display

This display shows information about the audio playing back and menu screens.

## G Skip knob (◀◀/▶▶)

Use this to skip to the previous or next track.

### When the menu screen is open

Use this to select setting values.

Press this to start or confirm setting value selection.

## H MENU button

Press this to enter setting mode (page 20).

Press this when in setting mode to return to the previous screen.

## I REPEAT (↺) button

Use this to change the repeat playback setting (page 17).

## J PLAY MODE button

Use this to switch between the ordinary, shuffle/random and program playback modes.

## K Playback control buttons

Stop (■) button

Press this to stop playback.

Play (▶) button

Press this when stopped or paused to start playback.

Pause (⏸) button

Press this during playback to pause.

## Automatic power saving function

This unit has an automatic power saving function (page 22).

By default, the setting is ON.

The unit will automatically enter standby mode if no audio is output and no operation is conducted for about 30 minutes.

Set the automatic power saving function to OFF to disable it (page 22).

## Display brightness

You can adjust the brightness of the unit's display (page 21).

By default, the setting is Slightly BRIGHT (Stays lit dimly).

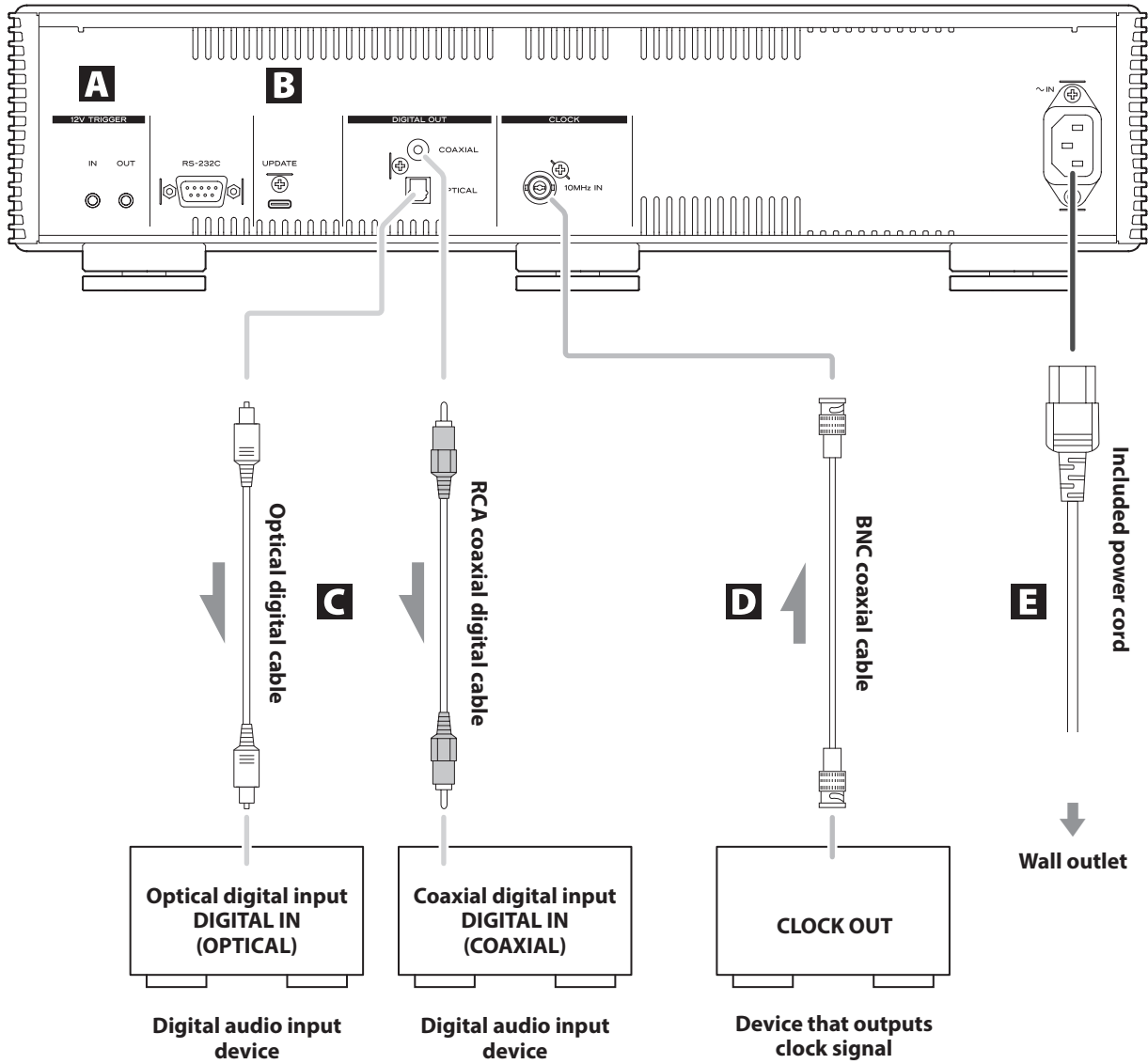
When set to AUTO OFF (automatic illumination off), the display turns off when not being operated.

- NO DISC and other warnings will stay lit.

# Connections

**⚠ After all connections are complete, connect the power cord's plug to the AC wall outlet.**

- Read the instructions of each device that you intend to use with this unit.
- Do not bundle connecting cables with power cords. Doing so could cause noise.
- Connect all plugs completely.



**A 12V TRIGGER connectors**

Use these to control power from an external source. Do not connect anything to these connectors when not using them (page 14).

**Use commercially-available mono mini plug cables for connections.**

**B UPDATE (maintenance) port**

This is used for maintenance. Do not connect anything to this port unless instructed to do so by our service department.

**C COAXIAL/OPTICAL digital audio output connectors**

Use these to output digital audio. Connect digital audio input connectors of audio devices here.

**Use commercially-available RCA coaxial digital cables or rectangular optical digital cables for connection.**

**D CLOCK sync input (10MHz IN) connector**


Use this connector to input 10MHz clock synchronization signals (page 25).

**Use a commercially available BNC coaxial cable for connection.**

**E Power inlet (~IN)**

Connect the supplied power cord here.

**After all other connections are complete, connect the power cord's plug to a wall outlet.**

 **Do not use any power cord other than the one included with this unit. Use of other power cords could result in fire or electric shock.**

 **Disconnect the power plug from the outlet if you will not use the unit for a long time.**

## Connections (continued)

### Synchronizing external devices with power operations of this unit (trigger function)

The power of a connected D/A converter or another device that supports trigger functions can be synchronized with the power operations of this unit.

Use commercially-available mono mini plug cables for connections.

#### 12V TRIGGER connectors

##### OUT

When this unit is turned on, it outputs 12 V.

By connecting this unit's TRIGGER OUT connector to a power amplifier, subwoofer or other device that supports trigger input, the power supply of that device can be synchronized with the power operations of this unit.

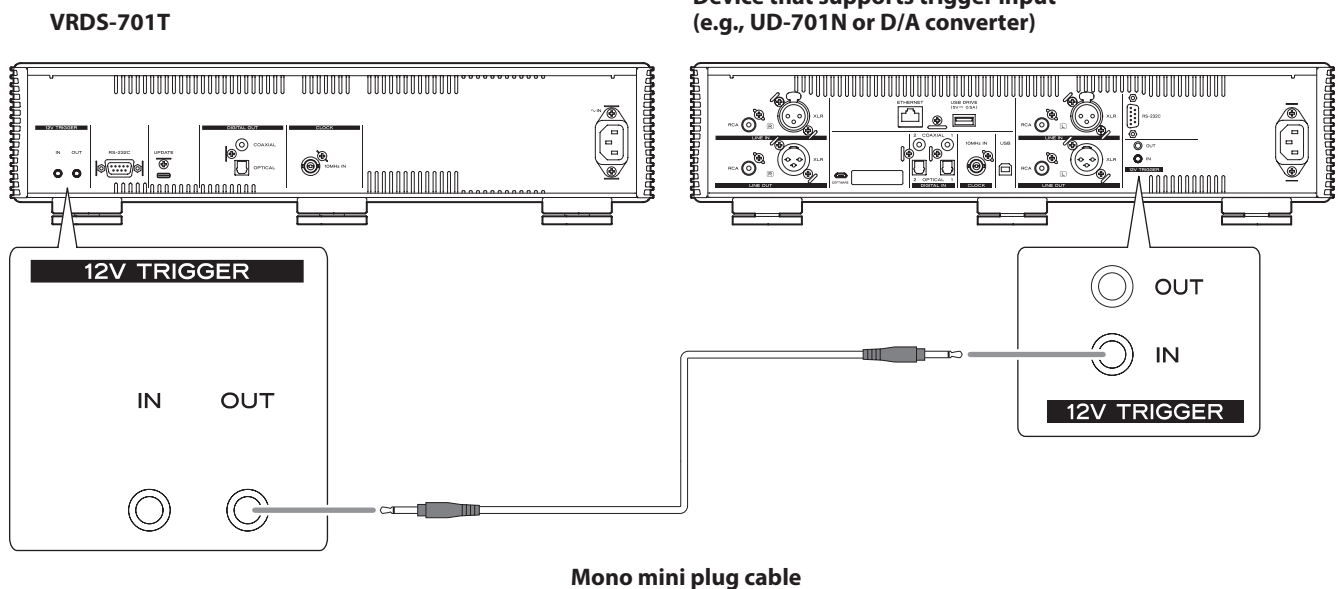
##### IN

Connect this to the trigger output connector of a preamp or other device.

This will make the power operation of that preamp or other device control this unit, putting it in standby and turning it on.

#### ATTENTION

- To use the trigger input function, set this unit's STANDBY/ON switch to ON.
- When connecting both IN and OUT, be careful not to cause a trigger loop in the entire system.



## When on



After the display appears as above, it will show the status.

## When no disc is available



## Display example: stopped



Total number of tracks on disc

Total playback time (minutes: seconds)

When a disc is playing or paused, press the DISPLAY button to change the display as follows.

## Display example: playing back



Number of track being played

Elapsed time of track being played (minutes: seconds)



Number of track being played

Remaining time of track being played (minutes: seconds)



Number of track being played

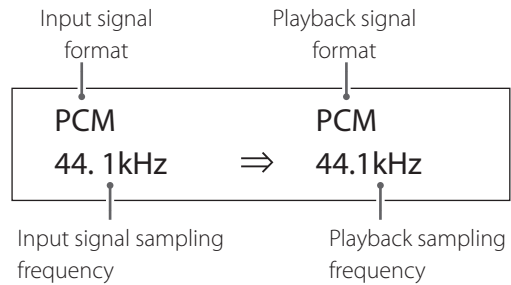
Remaining disc time (minutes: seconds)



## Playback format information screen

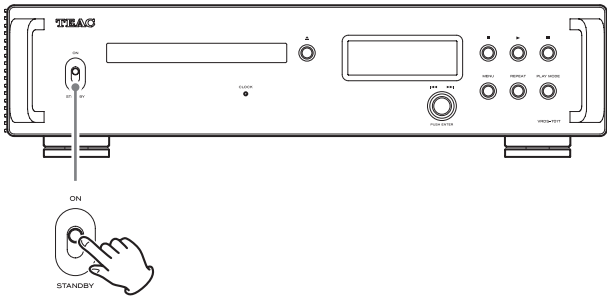
Press the INFO button on the remote control during playback to show playback format information.

- The input signal and playback signal displays will be the same when the MQA setting is "OFF".



# Basic operation

- 1** Shift the **STANDBY/ON** switch to its **ON** position to turn the unit on.

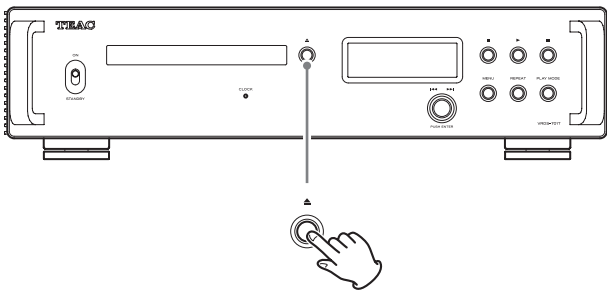


- If a stereo amplifier is connected to this unit, always turn the amplifier on very last.

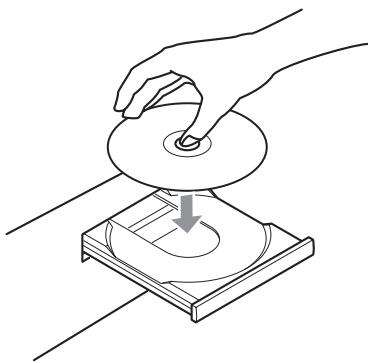
- 2** Minimize the volume.

Minimize the volume on devices used to control the volume (e.g., a stereo amplifier).

- 3** Press the tray open/close ( $\blacktriangle$ ) button.

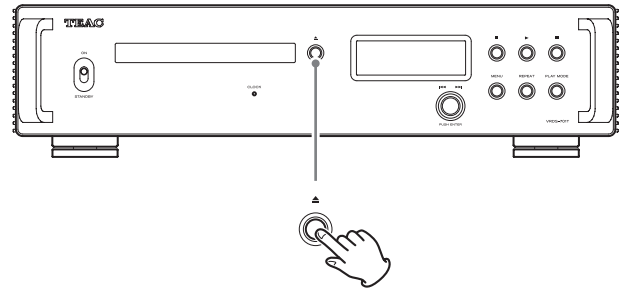


- 4** Place a disc on the tray with the labeled side up.



- Do not put more than one disc onto the tray at a time.
- If the tray is closed while a disc is outside the center guides, the disc might become stuck inside and the tray might not open. Be sure to always place discs within the guides at the center of the tray.
- When the tray is opening or closing, do not force it by hand.

- 5** Press the tray open/close ( $\blacktriangle$ ) button to close it.



## **!** CAUTION

**Be careful not to let your fingers be pinched when the tray closes.**

"READING" will appear on the display and the unit will start loading the disc.

- The unit takes some time to load the disc. Wait until the total number of tracks and total playback time appear on the display.

When loading completes, the display will appear as follows.

### Display example

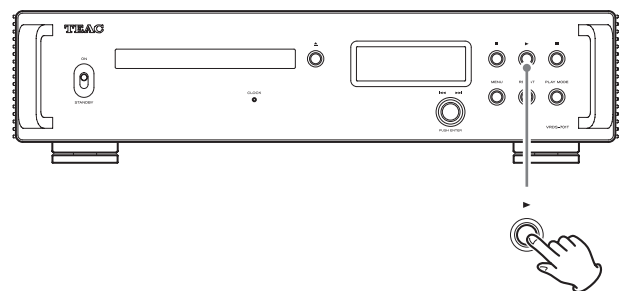


Total number of tracks on disc

Total playback time (minutes: seconds)

- When **POWER ON PLAY** is ON, playback will start immediately after the unit is turned on (page 22).
- "NO DISC" appears if no disc has been loaded.
- "No support" appears if a disc that cannot be played is loaded.

- 6** Press the play ( $\blacktriangleright$ ) button.



Playback starts from the first track.

### Display example



Number of track being played

Elapsed time of track being played (minutes: seconds)



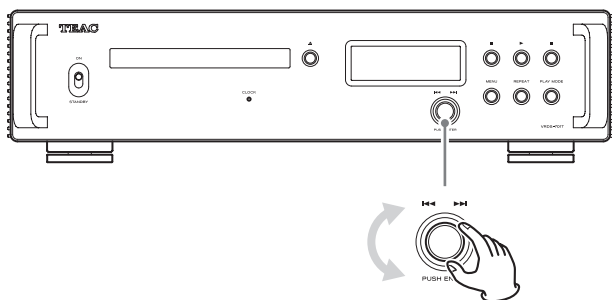
## 7 Adjust the volume.

Adjust the volume on devices used to control the volume (e.g., a stereo amplifier).

### NOTE

- The automatic power saving function is set to ON when shipped new from the factory (page 22).
- When DIMMER (display brightness) is set to AUTO OFF, the display will turn off when not being operated (page 21).

## Skipping to search for a track

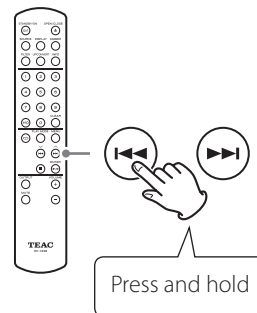


Turn the skip (◀◀/▶▶) knob. Use it to skip to the previous or next track. Keep turning until the desired track is selected. After a track is selected, it will start playing back from the beginning.

- During playback, turn the skip ◀◀ knob one click to return to the beginning of the current track. Turn the skip ◀◀ knob continuously to select and play lower-numbered tracks.

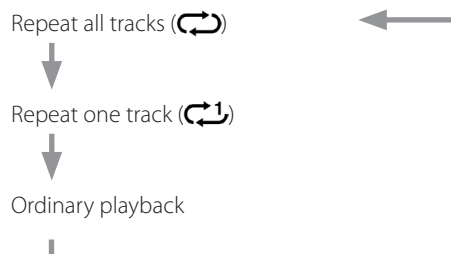
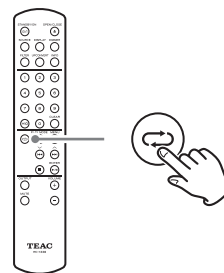
## Searching for part of a track

During playback, press and hold a skip (◀◀/▶▶) button on the remote control to search backward/forward. Release the skip (◀◀/▶▶) button when you find the part to which you want to listen.




## Repeat playback

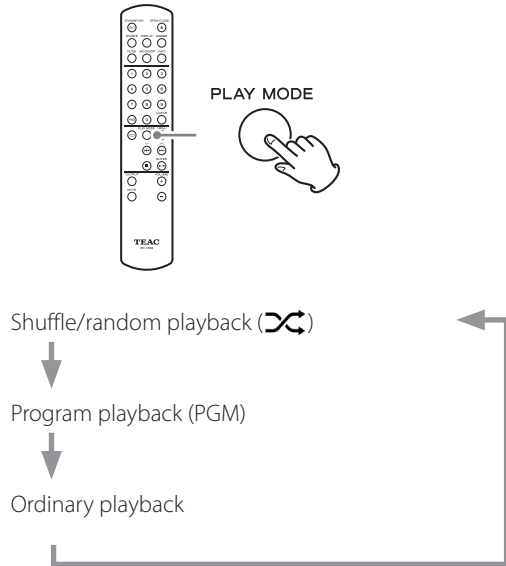
Press the repeat (↺) button to cycle through repeat modes as follows.



# Basic operation (continued)

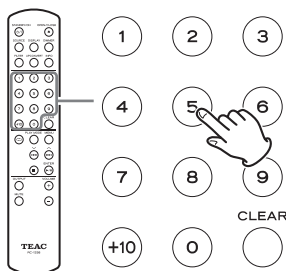
## Shuffle and random playback

To switch to shuffle/random playback, press the PLAY MODE button repeatedly until  appears at the top right of the display. Shuffle or random playback will occur according to the setting (page 22).



- Random playback will not stop until the stop (■) button is pressed.
- When random playback is active, the repeat playback setting has no effect.

## Using the number buttons to select a track for playback






When playing or stopped, press number buttons to select a track by number and start playback from that track.

To play a track with a single-digit number, press that number button. To play a double-digit track number, press the +10 button as many times as necessary, and then press the corresponding number button for the second digit. Playback starts after the track number is input.

Operation examples

Track 7: 

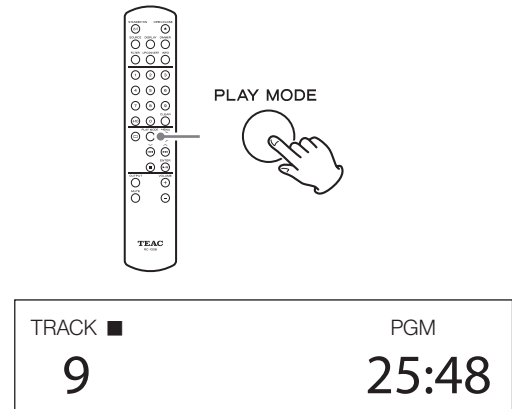
Track 23:   

## Program playback

Program playback is only possible with audio CDs.

### Using program playback

- 1 Press the PLAY MODE button repeatedly until PGM appears at the top right of the display.



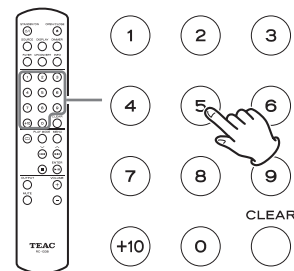
- If PGM is selected during playback, the playing track will be added as program step 1.

### NOTE

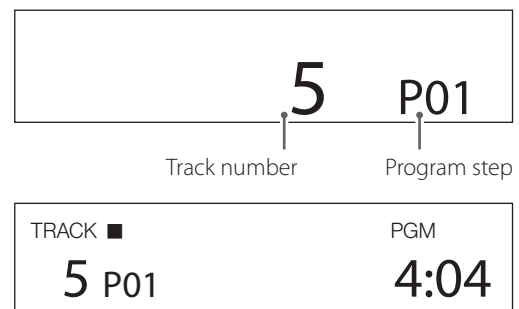
Programming is possible even when the tray is open. In this case, track numbers 1 – 99 can be programmed. After a CD is loaded, however, track numbers that are not on the CD will be removed.

- 2 Use the number buttons to input track numbers.

See "Using the number buttons to select a track for playback" for instructions about inputting tracking numbers.



### Display example



**3** Continue to input the numbers for the tracks you want to program.

**4** Press the play/pause (▶ / ||) button on the remote control or the play (▶) button on the unit to start program playback.

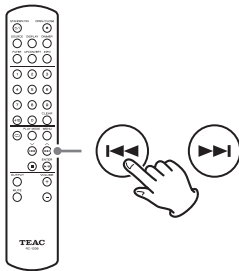
- Skipping, searching and repeat playback functions can be used during program playback.

#### NOTE

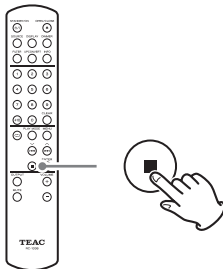
When "PGM" appears at the top right of the display, what happens when number buttons are used to input track numbers depends on the PROGRAM PLAY setting (page 22).

## Checking the program order

Press the skip (◀◀/▶▶) buttons when playback is stopped to change the program step shown, allowing the program order to be checked.



Press the stop (■) button when finished checking.



## Changing programmed tracks

Pressing the skip (◀◀/▶▶) buttons when playback is stopped causes the program step to blink, showing the program editing mode is active.

Press the stop (■) button to end program editing mode.

### Inserting tracks

**1** Use the skip (◀◀/▶▶) buttons when playback is stopped to show the program step where you want to insert a track.

#### Display example



Program step blinks

**2** Use the number buttons to input track numbers.

#### Display example



- In this example, track number 6 has been added at program step 3. The tracks on all the following program steps will be pushed to later steps.
- Continue inputting track numbers to insert multiple tracks.

**3** Press the stop (■) button to end editing.

## Basic operation (continued)

### Clearing selected tracks

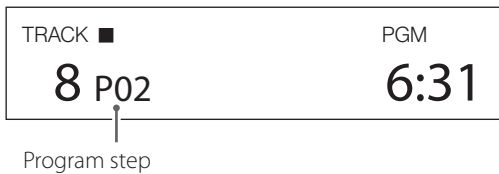
- 1 Use the skip (|◀◀/▶▶|) buttons when playback is stopped to show the program step with the track you want to clear.

#### Display example



- 2 Press the CLEAR button to remove the track from the program.

#### Display example



- In this example, track number 6 has been cleared at program step 2, bringing tracks at step 3 and later forward.

- 3 Press the stop (■) button to end editing.

#### NOTE

Pressing the CLEAR button when stopped will clear the track on the last step added to the program.

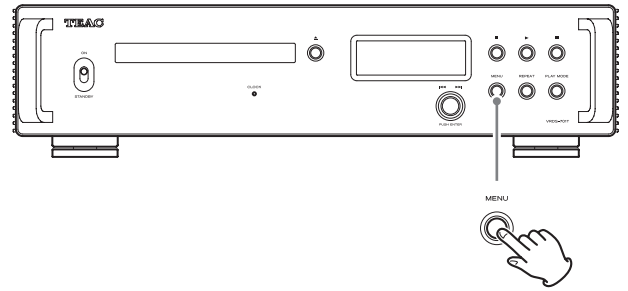
### Clearing the entire program

Do any of the following to clear the program.

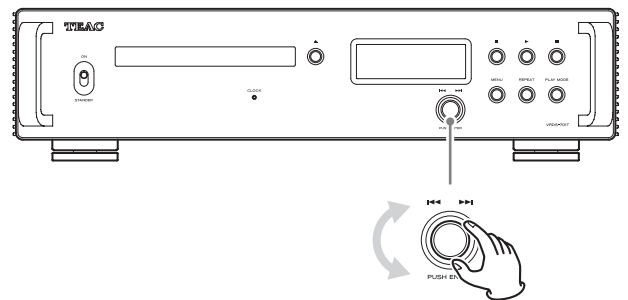
- Press the PLAY MODE button so that "PGM" disappears from the top right of the display.
- Eject a disc.

## Settings

- 1 Press the MENU button to open the menu screen.

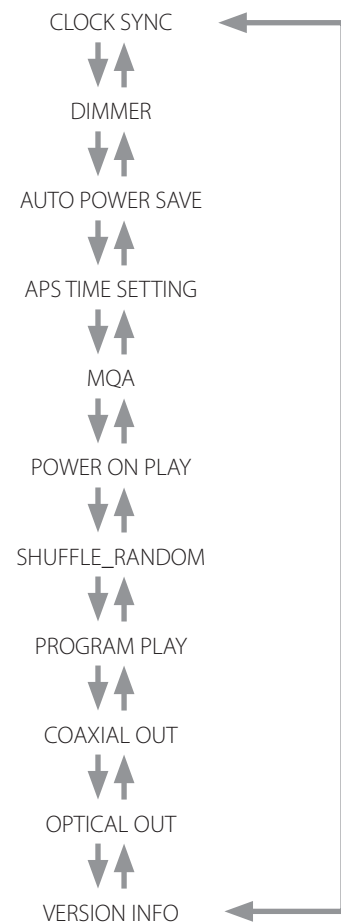


- 2 Turn the skip knob (|◀◀/▶▶|) to show the item that you want to set.

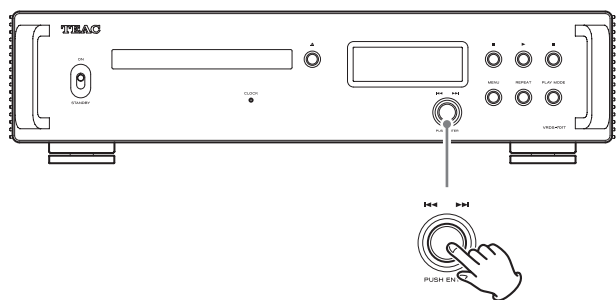


- You can also use the up and down (^, v) buttons on the remote control.

The menu items appear in the following order.

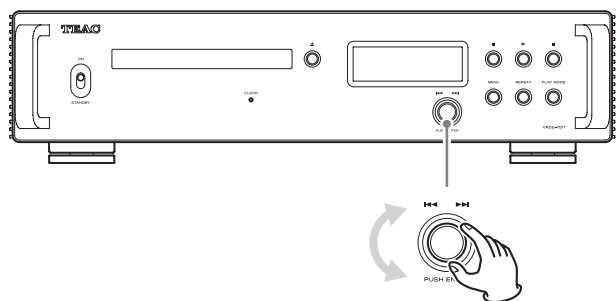


**3** Press the skip knob (|◀◀/▶▶|).



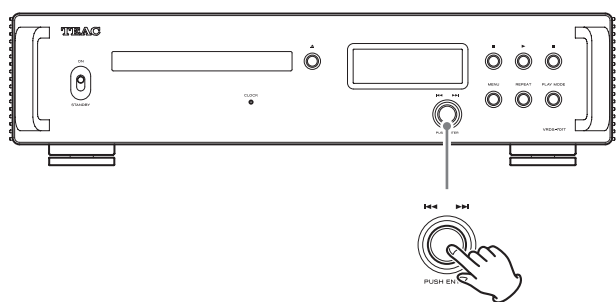
- You can also press the ENTER button on the remote control.
- The currently set value is shown on the display.

**4** Turn the skip knob (|◀◀/▶▶|) to change setting values.



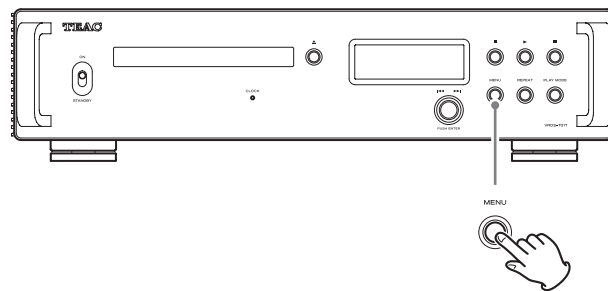
- You can also use the up and down (∧, ∨) buttons on the remote control.
- Press the MENU button to return to setting item selection.

**5** Press the skip knob (|◀◀/▶▶|).



- You can also press the ENTER button on the remote control.

**6** When you are done changing settings, press the MENU button to show the status again.



- If you do not do anything for about seven seconds, the display will return to showing the status.

**Clock sync**



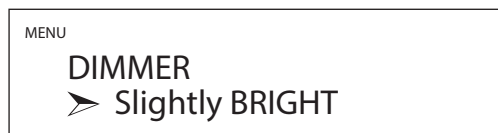
**OFF (default)**

No clock sync is used.

**ON**

This unit's master clock will be synchronized to the 10MHz clock input through the CLOCK sync input (10MHz IN) connector.

**Display brightness**



**BRIGHT**

Stays lit brightly.

**Slightly BRIGHT (default)**

Stays lit dimly.

**DARK**

Stays dark.

**AUTO OFF**

Turns off automatically.

- The display turns off when not being operated.

**NOTE**

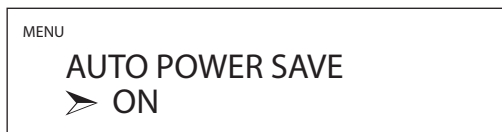
This can be set directly with the remote control DIMMER button.

## Settings (continued)

### Automatic power saving function

This unit has an automatic power saving function.

- The automatic power saving function is ON when the unit is shipped new from the factory.



#### OFF

The automatic power saving function is disabled.

#### ON (default)

The unit will automatically enter standby mode if no audio is output and no operation is conducted for about 30 minutes.

- The automatic power saving time setting can be used to change the amount of time until the unit enters standby mode.

### Automatic power saving time setting

This sets the amount of time until the automatic power saving function causes the unit to enter standby.



This can be set in a range from 1–255 minutes in 1-minute increments (30 minutes by default).

### MQA

This sets the MQA decoding function.



#### OFF (default)

MQA decoding will not be used.

#### ON

Only core decoding will be conducted. The output will be at twice the sampling frequency (88.2 kHz).

### Power on playback function

Playback can start automatically when the unit is turned on.



#### OFF (default)

Playback will not start automatically when the unit is turned on.

#### ON

Playback will start automatically when the unit is turned on.

### Shuffle and random playback

Shuffle and random playback modes can be selected.



#### SHUFFLE PLAY (default)

This plays each track on the disc once.

- Unless repeat has also been set, playback will stop after all tracks on the disc have been played.

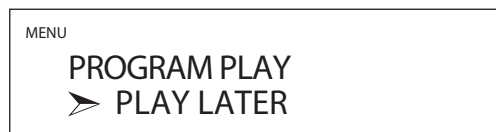
#### RANDOM PLAY

This plays the tracks on the disc randomly.

- Regardless of the repeat setting, playback will not stop until the stop (■) button is pressed.

### Program playback track input behavior

This sets what happens when the number buttons are used during program playback.



#### PLAY LATER (default)

The input track number is added to the end of the program. The track that is playing continues to play.

#### PLAY NOW

The input track number is added to the end of the program and starts playing immediately.

## Coaxial digital output

This sets the output from the COAXIAL digital audio output connector.



### OFF

No audio signal will be output from the COAXIAL digital audio output connector.

### ON (default)

Audio signals will be output from the COAXIAL digital audio output connector.

## Optical digital output

This sets the output from the OPTICAL digital audio output connector.



### OFF

No audio signal will be output from the OPTICAL digital audio output connector.

### ON (default)

Audio signals will be output from the OPTICAL digital audio output connector.

## Information display

This shows the version of the firmware used by the unit.



### SYSTEM

The microcomputer firmware version

### USB

The USB firmware version

### FPGA

The FPGA firmware version

### CD DRIVE

The CD drive firmware version

## Troubleshooting

If you experience a problem with this product, please take a moment to review the following information before requesting service. If it still does not operate correctly, contact the retailer where you purchased the unit.

### General

#### The unit does not turn on.

- ➔ Check that the power cord is completely plugged into the power outlet. If the outlet is switched, confirm that the switch is in the ON position.
- ➔ Connect a different electrical device to the outlet to confirm that it is supplying power.
- ➔ If the automatic power saving function has caused the unit to enter standby, press the remote control STANDBY/ON button to turn the unit on again.

#### The unit automatically enters standby mode.

- ➔ This is because the automatic power saving function put the unit into standby. Set the STANDBY/ON switch to STANDBY once and then set it to ON again. Change the automatic power saving setting if necessary (page 22).

#### Remote control does not work.

- ➔ Turn the main unit on (page 16).
- ➔ If the batteries are exhausted, replace both of them with new ones (page 8).
- ➔ The remote control will not work if there are obstructions between it and the main unit. Point the remote control at the front panel of the unit from a distance of less than about 5 m (16 ft) (page 8).

#### A television or other device is operating improperly.

- ➔ The use of this unit's remote control might cause some televisions and other devices with wireless remote control functions to operate incorrectly.

#### There is a humming noise.

- ➔ If a connecting cable is near a power cord, fluorescent light or similar cause of interference, increase the distance between them as much as possible.

#### No sound is output.

- ➔ If a stereo amplifier is connected to this unit, adjust its volume.
- ➔ Reconfirm the connections with other equipment.

# Troubleshooting (continued)

## CD Transport

### Playback is not possible.

- ➔ If the disc is upside down, reload it with the labeled side up.
- ➔ If the disc is dirty, wipe it clean.
- ➔ If a blank disc is loaded, replace it with a disc that has recordings on it.
- ➔ Depending on the quality and recording conditions of the disc, some CD-R/CD-RW discs cannot be played back.
- ➔ This unit cannot play back unfinalized CD-R/CD-RW discs.

### The sound skips.

- ➔ Vibrations will cause the sound to skip. Install this unit in a stable location.
- ➔ If the disc is dirty, wipe it clean.
- ➔ Do not use discs that are scratched or cracked.

## Clock sync

### The CLOCK indicator does not stop blinking.

- ➔ Set clock synchronization to OFF when not using it.
- ➔ A clock signal to which the unit cannot synchronize might be being input. Check the connections of the clock sync connectors and the settings of the connected devices.

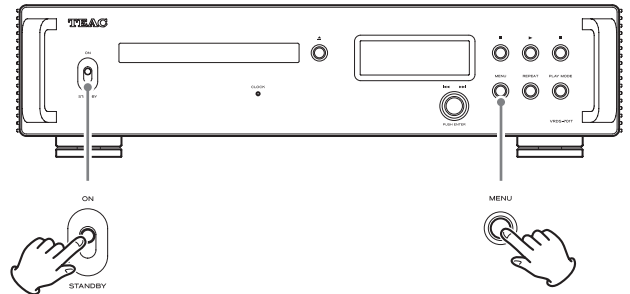
Since this unit uses a microcontroller, external noise and other interference can cause the unit to malfunction. If this occurs, unplug the power cord, wait for a while, and then turn the unit on again and restart operations.

### Note about condensation

If this unit is brought from a cold outdoor environment into a warm room, or the heater has just been turned on in the room where it is located, for example, condensation might occur on operating parts or lenses, resulting in improper operation. If this occurs, leave the product on and wait one to two hours. This should enable normal playback.

## Restoring default settings

- 1** While pressing and holding the MENU button, set the STANDBY/ON switch to ON.



- 2** Release the MENU button when the FACTORY RESET menu appears.



- 3** Press the skip knob (◀◀/▶▶).



The usual screen will appear after resetting completes.

Display example



### ATTENTION

- Do not put the unit in standby until the usual screen appears.
  - This operation will restore all settings to their default values.
- 
- The factory default settings are the setting values shown in the screen images used in the explanations of this manual.



## Playable disc types

Audio CD (including CD-R and CD-RW)

- 8cm CDs are not supported.

## Clock sync input

Connector.....	BNC
Input sampling frequency.....	10 MHz
Input impedance.....	50 Ω
Input level.....	Rectangle wave: equivalent to TTL levels Sine wave: 0.5 to 1.0 Vrms

## Digital audio outputs

COAXIAL digital.....	1
Output level.....	0.5 Vpp
Output impedance.....	75 Ω
OPTICAL digital.....	1
	TOS (JEITA RC5720C)

## External control

Trigger input (12V TRIGGER IN).....	1
	(3.5mm mono mini jack)
Input level.....	12 V, 1 mA
Trigger output (12V TRIGGER OUT).....	1
	(3.5mm mono mini jack)
Output level.....	12 V
Maximum current supply.....	100 mA

## General

Power supply

Model for Europe.....	AC 220–240 V, 50/60 Hz
Model for U.S.A./Canada.....	AC 120 V, 60 Hz

Power consumption..... 10 W

Standby power..... 0.4 W (in standby mode)

External dimensions (W × H × D, including protrusions)  
444 × 111 × 333 mm (17 1/2" × 4 3/8" × 13 1/8")

Weight..... 10.1 kg (22 3/8 lb)

Operating temperature range..... +5°C to +35°C

Operating humidity range..... 5% to 85% (no condensation)

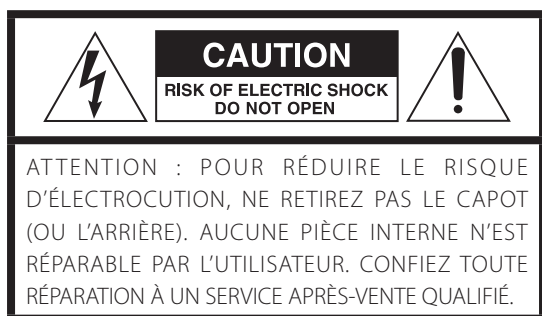
Storage temperature range..... –20°C to +55°C

## Included accessories

- Power cord × 1
- Remote control (RC-1338) × 1
- Batteries for remote control (AAA) × 2
- Foot pads × 3
- Owner's manual (this document, including warranty) × 1
- For information about the warranty, users living in the USA and Canada should see pages 74–75 and the back cover (warranty document). Users living in Europe and other regions should see page 75.

- Specifications and appearance are subject to change without notice.
- Weight and dimensions are approximate.
- Illustrations in this manual might differ slightly from production models.

# INSTRUCTIONS DE SÉCURITÉ IMPORTANTES



Le symbole d'éclair à tête de flèche dans un triangle équilatéral sert à prévenir l'utilisateur de la présence dans l'enceinte du produit d'une « tension dangereuse » non isolée d'une grandeur suffisante pour constituer un risque d'électrocution pour les personnes.



Le point d'exclamation dans un triangle équilatéral sert à prévenir l'utilisateur de la présence d'instructions importantes de fonctionnement et de maintenance (entretien) dans les documents accompagnant l'appareil.

**AVERTISSEMENT : POUR PRÉVENIR LES RISQUES D'INCENDIE ET D'ÉLECTROCUTION, N'EXPOSEZ PAS CET APPAREIL À LA PLUIE NI À L'HUMIDITÉ.**

## ATTENTION

- NE RETIREZ PAS LES CAPOTS EXTERNES OU BOÎTIERS POUR EXPOSER L'ÉLECTRONIQUE. AUCUNE PIÈCE INTERNE N'EST RÉPARABLE PAR L'UTILISATEUR.
  - SI VOUS RENCONTREZ DES PROBLÈMES AVEC CE PRODUIT, CONTACTEZ LE MAGASIN OÙ VOUS AVEZ ACHETÉ L'UNITÉ. N'UTILISEZ PAS LE PRODUIT TANT QU'IL N'A PAS ÉTÉ RÉPARÉ.
  - L'UTILISATION DE COMMANDES, DE RÉGLAGES OU LE SUIVI DE PROCÉDURES AUTRES QUE CE QUI EST DÉCRIT DANS CE DOCUMENT PEUT PROVOQUER UNE EXPOSITION À UN RAYONNEMENT DANGEREUX.
- 1) Lisez ces instructions.
  - 2) Conservez ces instructions.
  - 3) Tenez compte de tous les avertissements.
  - 4) Suivez toutes les instructions.
  - 5) N'utilisez pas cet appareil avec de l'eau à proximité.
  - 6) Ne nettoyez l'appareil qu'avec un chiffon sec.
  - 7) Ne bloquez aucune ouverture de ventilation. Installez-le conformément aux instructions du fabricant.
  - 8) N'installez pas l'appareil près de sources de chaleur telles que des radiateurs, bouches de chauffage, poêles ou autres appareils (y compris des amplificateurs) dégageant de la chaleur.
  - 9) Ne neutralisez pas la fonction de sécurité de la fiche polarisée ou de terre. Une fiche polarisée a deux broches, l'une plus large que l'autre. Une fiche de terre a deux broches identiques et une troisième broche pour la mise à la terre. La broche plus large ou la troisième broche servent à votre sécurité. Si la fiche fournie n'entre pas dans votre prise, consultez un électricien pour le remplacement de la prise obsolète.
  - 10) Évitez de marcher sur le cordon d'alimentation et de le pincer, en particulier au niveau des fiches, des prises secteur, et du point de sortie de l'appareil.

11) N'utilisez que des fixations/accessoires spécifiés par le fabricant.

12) Utilisez-le uniquement avec des chariots, socles, trépieds, supports ou tables spécifiés par le fabricant ou vendus avec l'appareil. Si un chariot est utilisé, faites attention à ne pas être blessé par un renversement lors du déplacement de l'ensemble chariot/appareil.



13) Débranchez cet appareil en cas d'orage ou de non utilisation prolongée.

14) Confiez toute réparation à des techniciens de maintenance qualifiés. Une réparation est nécessaire si l'appareil a été endommagé d'une quelconque façon, par exemple si le cordon ou la fiche d'alimentation est endommagé, si du liquide a été renversé sur l'appareil ou si des objets sont tombés dedans, si l'appareil a été exposé à la pluie ou à l'humidité, s'il ne fonctionne pas normalement, ou s'il est tombé.

- L'appareil tire un courant nominal de veille de la prise secteur quand son interrupteur POWER ou STANDBY/ON n'est pas en position ON.
- La fiche secteur est utilisée comme dispositif de déconnexion et doit donc toujours rester disponible.
- Des précautions doivent être prises en cas d'utilisation d'écouteurs ou d'un casque avec le produit car une pression sonore excessive (volume trop fort) dans les écouteurs ou dans le casque peut causer une perte auditive.

## ATTENTION

- N'exposez pas cet appareil aux gouttes ni aux éclaboussures.
- Ne placez pas d'objet rempli de liquide sur l'appareil, comme par exemple un vase.
- Les pièces en forme de poignée sur les côtés gauche et droit de la face avant sont décoratives. N'y passez pas vos doigts et ne les utilisez pas pour porter l'unité.
- N'installez pas cet appareil dans un espace confiné comme une bibliothèque ou un meuble similaire.
- L'appareil doit être placé suffisamment près de la prise de courant pour que vous puissiez à tout moment attraper facilement la fiche du cordon d'alimentation.
- Si le produit utilise des piles/batteries (y compris un pack de batteries ou des piles installées), elles ne doivent pas être exposées au soleil, au feu ou à une chaleur excessive.
- PRÉCAUTION pour les produits qui utilisent des batteries remplaçables au lithium : remplacer une batterie par un modèle incorrect entraîne un risque d'explosion. Remplacez-les uniquement par un type identique ou équivalent.

## AVERTISSEMENT

Les produits ayant une construction de Classe **I** sont équipés d'un cordon d'alimentation avec une fiche de terre. Le cordon d'un tel produit doit être branché dans une prise secteur avec terre de sécurité.

**AUX USA/CANADA, UTILISEZ UNIQUEMENT UNE TENSION D'ALIMENTATION DE 120 V.**

### Précautions concernant les piles

Un mauvais emploi des piles peut entraîner leur rupture ou leur fuite, avec pour conséquence un incendie, des blessures ou la salissure des objets proches. Veuillez lire et suivre attentivement les précautions suivantes.

- Veillez à insérer les piles avec leurs pôles positif (+) et négatif (-) correctement orientés.
- Utilisez des piles du même type. N'utilisez jamais des types de pile différents ensemble.
- Si la télécommande doit rester inutilisée durant une période prolongée (plus d'un mois), retirez ses piles pour éviter qu'elles ne coulent.
- Si les piles coulent, essuyez le liquide dans le compartiment des piles et remplacez les piles par des neuves.
- N'utilisez pas de piles d'un type autre que celui spécifié. Ne mélangez pas des piles neuves avec des anciennes et n'utilisez pas ensemble des types de pile différents.
- Ne chauffez pas et ne démontez pas les piles. Ne jetez jamais les piles dans un feu ou dans de l'eau.
- Ne conservez et ne transportez pas les piles avec d'autres objets métalliques. Les piles pourraient entrer en court-circuit, couler ou exploser.
- Ne rechargez jamais une batterie sans avoir vérifié qu'elle peut l'être.
- N'exposez pas les piles à une pression d'air extrêmement basse car cela pourrait entraîner une explosion ou une fuite de liquides ou de gaz inflammables.

### Informations sur le laser

Ce produit laser est un produit laser grand public selon la norme EN 50689:2021 et est conforme à toutes les exigences relatives aux produits laser grand public, hors produits attrayants pour les enfants. Ce produit contient un système laser et est répertorié comme PRODUIT LASER DE CLASSE 1 selon la norme IEC 60825-1:2014. Cette classe ne nécessite pas d'attention particulière dans le cadre d'une utilisation normale. Ne démontez rien pour éviter d'être exposé au faisceau laser.

#### Laser :

Type :	EP-C101
Fabricant :	EVER BRIGHT ELECTRIC SCIENCE & TECHNOLOGY(BEIHAI)LTD.
Puissance laser :	0,7 mW sur la lentille de l'objectif
Longueur d'onde :	790 ±25 nm

# INSTRUCTIONS DE SÉCURITÉ IMPORTANTES (suite)

## Modèle pour le Canada

CET APPAREIL NUMÉRIQUE DE LA CLASSE B EST CONFORME À LA NORME NMB-003 DU CANADA



## Modèle pour l'Europe



Ce produit est conforme aux directives européennes et aux autres réglementations de la Commission européenne.

## Pour les consommateurs européens

### Mise au rebut des équipements électriques et électroniques et des piles et/ou accumulateurs

- Tout équipement électrique/électronique et pile/accumulateur hors d'usage doit être traité séparément de la collecte municipale d'ordures ménagères dans des points de collecte désignés par le gouvernement ou les autorités locales.
- En vous débarrassant correctement des équipements électriques/électroniques et piles/accumulateurs hors d'usage, vous contribuerez à la sauvegarde de précieuses ressources et à la prévention de potentiels effets négatifs sur la santé humaine et l'environnement.
- Le traitement incorrect des équipements électriques/électroniques et piles/accumulateurs hors d'usage peut avoir des effets graves sur l'environnement et la santé humaine en raison de la présence de substances dangereuses dans les équipements.
- Le symbole de déchets d'équipements électriques et électroniques (DEEE), qui représente une poubelle à roulettes barrée d'une croix, indique que les équipements électriques/électroniques et piles/accumulateurs doivent être collectés et traités séparément des déchets ménagers.  
  
Si une pile ou un accumulateur contient plus que les valeurs de plomb (Pb), mercure (Hg) et/ou cadmium (Cd) spécifiées dans la directive sur les piles et accumulateurs (2006/66/CE, 2013/56/UE), alors les symboles chimiques de ces éléments seront indiqués sous le symbole DEEE. **Pb, Hg, Cd**  

- Des systèmes de retour et de collecte sont disponibles pour l'utilisateur final. Pour des informations plus détaillées sur la mise au rebut des vieux équipements électriques/électroniques et piles/accumulateurs hors d'usage, veuillez contacter votre mairie, le service d'ordures ménagères ou le magasin dans lequel vous avez acquis l'équipement.

MQA and the Sound Wave Device are registered trademarks of MQA Limited © 2016

Les autres noms de société, noms de produit et logos présents dans ce document sont des marques commerciales ou déposées de leurs détenteurs respectifs.

## Sommaire

---

Nous vous remercions d'avoir choisi TEAC. Lisez ce mode d'emploi avec attention pour tirer les meilleures performances de cette unité. Après l'avoir lu, gardez-le en lieu sûr pour vous y référer ultérieurement.

INSTRUCTIONS DE SÉCURITÉ IMPORTANTES.....	26
Montage flottant du mécanisme de CD.....	29
Disques .....	30
Accessoires fournis .....	31
Utilisation du site international TEAC.....	31
Avant l'utilisation .....	31
Entretien .....	32
MQA (Master Quality Authenticated).....	32
Emploi de la télécommande .....	32
Parties et fonctions de la télécommande.....	33
Parties et fonctions de l'unité principale.....	34
Branchements.....	36
Affichage.....	39
Fonctionnement de base .....	40
Réglages .....	44
Guide de dépannage.....	47
Caractéristiques techniques.....	49

## Montage flottant du mécanisme de CD

---

Afin d'améliorer la qualité audio, l'ensemble du mécanisme de CD utilise une structure flottante lui évitant d'être fixé au châssis de l'unité. L'ensemble du mécanisme, y compris le tiroir, peut légèrement bouger vers l'avant, l'arrière, la gauche et la droite. C'est volontaire et il n'y a pas lieu de s'en inquiéter.

FR

# Disques

## Types de disque lisibles par cette unité

CD portant le logo « COMPACT disc DIGITAL AUDIO »



CD-R et CD-RW correctement enregistrés et finalisés au format CD audio.

Les CD de 8 cm ne sont pas pris en charge.  
Les adaptateurs ne peuvent pas être utilisés.

### ⚠ ATTENTION

**Si vous essayez de lire tout autre type de disque avec cette unité, des bruits forts risquant d'endommager les enceintes et d'altérer votre audition peuvent être produits. N'essayez jamais de lire un type de disque autre que ceux indiqués ci-dessus.**

- Cette unité peut être dans l'incapacité de correctement lire des CD à dispositif anti-copie, des disques doubles (DualDisc) ou d'autres CD spéciaux qui ne se conforment pas à la norme CD Red Book. Le fonctionnement et la qualité sonore ne peuvent pas être garantis si des disques spéciaux sont utilisés dans cette unité. Si la lecture d'un disque spécial cause des problèmes, contactez le vendeur du disque.

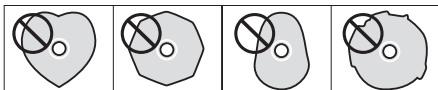
## CD-R/CD-RW

Cette unité peut lire les CD-R/CD-RW qui sont au format CD audio (CD-DA).

- Veillez à finaliser les disques créés au moyen d'enregistreurs de CD.
- Selon la qualité du disque et les conditions de son enregistrement, la lecture peut ne pas être possible. Pour des détails, voir le mode d'emploi de l'appareil que vous utilisez.
- Si vous avez des questions quant à la gestion d'un CD-R ou CD-RW, contactez directement son vendeur.

## Précautions d'emploi

- N'utilisez pas de disques fendus car ils pourraient endommager l'unité.
- Pour écrire sur le côté inscriptible du disque, employez un marqueur permanent à pointe feutre. L'emploi d'un stylo à bille ou autre à pointe dure peut endommager le disque, le rendant illisible.
- N'utilisez jamais de stabilisateurs de CD du commerce. Cela pourrait rendre le disque illisible ou endommager l'unité.
- N'employez jamais de disques ayant une forme irrégulière, dont des disques en forme de cœur ou octogonaux, car ils peuvent endommager l'unité.

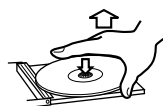


- Si un CD-R/CD-RW portant une surface à étiquette imprimable est laissé de façon prolongée dans cette unité, il risque de coller à l'intérieur et de devenir extrêmement difficile à retirer, pouvant

même entraîner un mauvais fonctionnement de l'unité. Retirez toujours de tels disques et conservez-les dans leur boîtier lorsque vous ne les utilisez pas. De plus, évitez d'utiliser des disques qui viennent juste d'être imprimés car ils sont particulièrement enclins à coller.

## Manipulation des disques

- Chargez toujours les disques avec leur face imprimée vers le haut.
- Faites attention lors de la manipulation des disques. Si la face qui contient les données (face sans inscription) est rayée, salie par des empreintes digitales ou de façon générale sale ou tachée, des erreurs peuvent se produire durant la lecture.
- Pour sortir un disque de son boîtier, saisissez le disque par sa tranche tout en pressant sur le centre du boîtier.



Sortie du disque



Maintien du disque

## Rangement des disques

- Les disques doivent être rangés dans leurs boîtiers quand ils ne sont pas utilisés. Ne pas le faire peut entraîner des déformations et des rayures.
- Ne laissez pas les disques dans des lieux exposés directement à la lumière du soleil ou qui sont très humides ou très chauds. Cela risquerait de provoquer une déformation ou une dégradation des disques, les rendant inutilisables.
- Les CD-R et CD-RW sont plus sensibles aux effets de la chaleur et des rayons ultraviolets que les CD ordinaires. Pour cette raison, ne les laissez pas de façon prolongée dans des endroits exposés directement à la lumière du soleil ou par exemple près d'appareils dégageant de la chaleur.
- Nettoyez toujours les disques avant de les ranger. Ne pas nettoyer un disque sale risque d'entraîner des sauts de lecture ou une dégradation de la qualité sonore.

## Entretien

- Si la face du disque où sont encodées les données (face non imprimée) est salie par des empreintes de doigt ou de la poussière, utilisez un chiffon doux pour essuyer la surface d'un mouvement allant du centre vers le bord extérieur.



- N'employez jamais de nettoyeurs pour disque, traitements antistatiques, diluants ou produits chimiques similaires pour nettoyer les disques. De tels produits chimiques pourraient abîmer la surface du disque.

## Accessoires fournis

Vérifiez que vous disposez bien de tous les accessoires indiqués ci-dessous. Veuillez contacter le magasin dans lequel vous avez acheté cette unité si l'un de ces accessoires manque ou a été endommagé durant le transport.

**Cordon d'alimentation × 1**

**Télécommande (RC-1338) × 1**

**Piles pour télécommande (AAA) × 2**

**Patins de pied × 3**

**Mode d'emploi (ce document, y compris la garantie) × 1**

- Pour plus d'informations sur la garantie, les utilisateurs vivant aux États-Unis et au Canada doivent consulter les pages 74–75 et le dos de la couverture (document de garantie). Les utilisateurs vivant en Europe et dans d'autres régions doivent consulter la page 75.

## Utilisation du site international TEAC

Vous pouvez télécharger des mises à jour pour cette unité depuis le site international TEAC :

<https://teac.jp/int/>

Cliquez sur LANGUAGE en haut à droite de la page et sélectionnez la langue désirée pour accéder à une page dans cette langue.

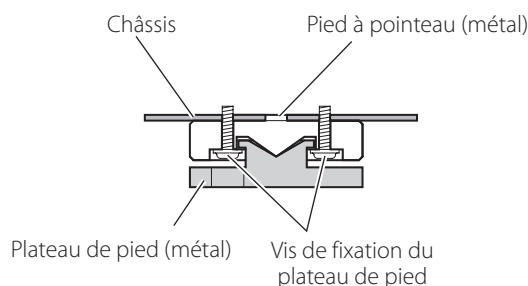
## Avant l'utilisation

- Cet équipement est très lourd, faites attention à ne pas vous blesser en ouvrant son emballage et en le déplaçant.
- Les pièces en forme de poignée situées sur les côtés gauche et droit de la face avant sont décoratives. N'y passez pas les doigts et ne les utilisez pas pour porter l'unité.
- N'installez pas cette unité dans un lieu qui pourrait chauffer. Cela comprend les endroits exposés directement au soleil ou près d'un radiateur, d'un chauffage, d'une cuisinière ou d'autres appareils chauffants. En outre, ne la placez pas au-dessus d'un amplificateur ou autre équipement dégageant de la chaleur. Cela pourrait causer une décoloration, une déformation ou un mauvais fonctionnement.
- Évitez les endroits sujets aux vibrations ou exposés à une poussière excessive, au froid et à l'humidité.
- Quand vous installez cette unité, laissez un peu d'espace (au moins 3 cm) entre elle et les murs et d'autres appareils afin de permettre une bonne dissipation thermique. Si vous la placez par exemple sur une étagère, laissez au moins 5 cm de libre au-dessus d'elle et 10 cm derrière. Ne pas laisser ces espaces peut faire monter la température au risque d'entraîner un incendie.
- Placez l'unité dans un endroit stable.
- Ne placez rien sur l'unité.
- Ne soulevez pas et ne déplacez pas l'unité durant la lecture car le disque tourne à vitesse élevée. Cela pourrait endommager le disque.
- Retirez toujours tout disque chargé avant de déplacer cette unité ou de l'emballer pour par exemple l'installer à un autre endroit. Transporter cette unité avec un disque à l'intérieur peut causer des dommages.
- La tension fournie à l'unité doit correspondre à la tension imprimée à l'arrière de l'unité. Si vous avez des doutes à ce sujet, consultez un électricien.
- N'ouvrez pas le boîtier de l'unité car cela peut endommager les circuits ou causer un choc électrique. Si un objet étranger pénètre dans l'unité, consultez votre revendeur.
- Pour débrancher le cordon d'alimentation de la prise secteur, saisissez toujours la prise, ne tirez jamais sur le cordon.

### Note sur les pieds de découplage

Des pieds à pointeau métallique de haute précision sont fixés à la plaque inférieure de cette unité.

Les pieds à pointeau et leur plateau de protection ne sont pas fixés de façon rigide, mais quand l'unité est posée à sa place, elle est soutenue par ces pieds à pointeau, qui dispersent efficacement les vibrations.



- Les patins de pied fournis sont destinés à protéger la surface sur laquelle est placée l'unité. Fixez-les sous les pieds de protection pour éviter de rayer la surface sur laquelle est placée l'unité.

## Entretien

Essayez les saletés du capot supérieur et des autres surfaces au moyen d'un chiffon doux légèrement humidifié avec un nettoyant neutre dilué.

N'utilisez pas de lingettes de nettoyage imbibées de produit chimique, de diluant ou d'autres agents chimiques. Cela pourrait endommager la surface.

**⚠ Pour votre sécurité, débranchez le cordon d'alimentation de la prise secteur avant tout nettoyage.**

## MQA (Master Quality Authenticated)

Le MQA est une technologie britannique primée qui restitue le son de l'enregistrement d'origine. Le fichier MQA master est totalement authentifié et est suffisamment petit pour le streaming ou le téléchargement.

Visitez [mqa.co.uk](http://mqa.co.uk) pour plus d'informations.

Le VRDS-701T prend en charge le MQA, permettant le décodage natif des CD MQA pour restituer le son de l'enregistrement master d'origine.

« MQA » ou « MQA. » indique que le produit décode un CD MQA, et désigne sa provenance pour s'assurer que le son est identique à celui du matériel source. « MQA. » indique la lecture d'un fichier MQA Studio, qui a été approuvé en studio par l'artiste/producteur ou vérifié par le titulaire des droits d'auteur.

### Exemple d'affichage en lecture de fichier MQA



## Emploi de la télécommande

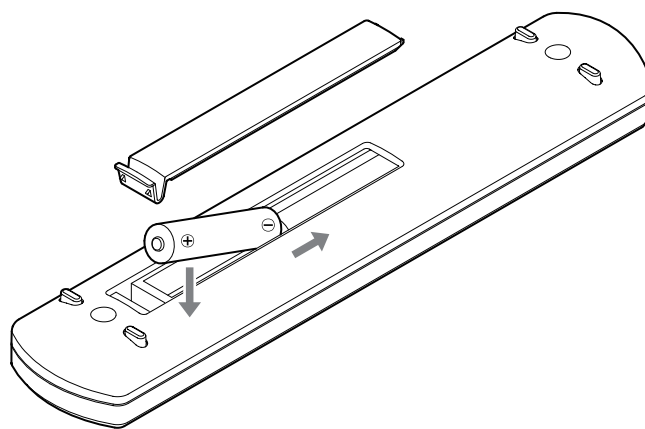
### Précautions d'emploi

**⚠ Un mauvais emploi des piles peut entraîner leur rupture ou leur fuite, avec pour conséquence un incendie, des blessures ou la salissure des objets proches. Veuillez attentivement lire et respecter les précautions en page 27.**

- Pour utiliser la télécommande, pointez-la vers le capteur de télécommande de l'unité principale dans un rayon maximal de 5 m. Ne placez pas d'obstacles entre l'unité principale et la télécommande.
- La télécommande peut ne pas fonctionner si le capteur de signal de télécommande de l'unité est exposé à la lumière du soleil ou à une forte source lumineuse. Si cela se produit, essayez de déplacer l'unité.
- Sachez que l'emploi de cette télécommande peut entraîner le déclenchement involontaire d'opérations sur d'autres appareils contrôlables par rayons infrarouges.

### Installation des piles

Ouvrez l'arrière de la télécommande et insérez deux piles AAA avec leurs pôles ⊕/⊖ orientés comme indiqué dans le boîtier. Remplacez le couvercle.



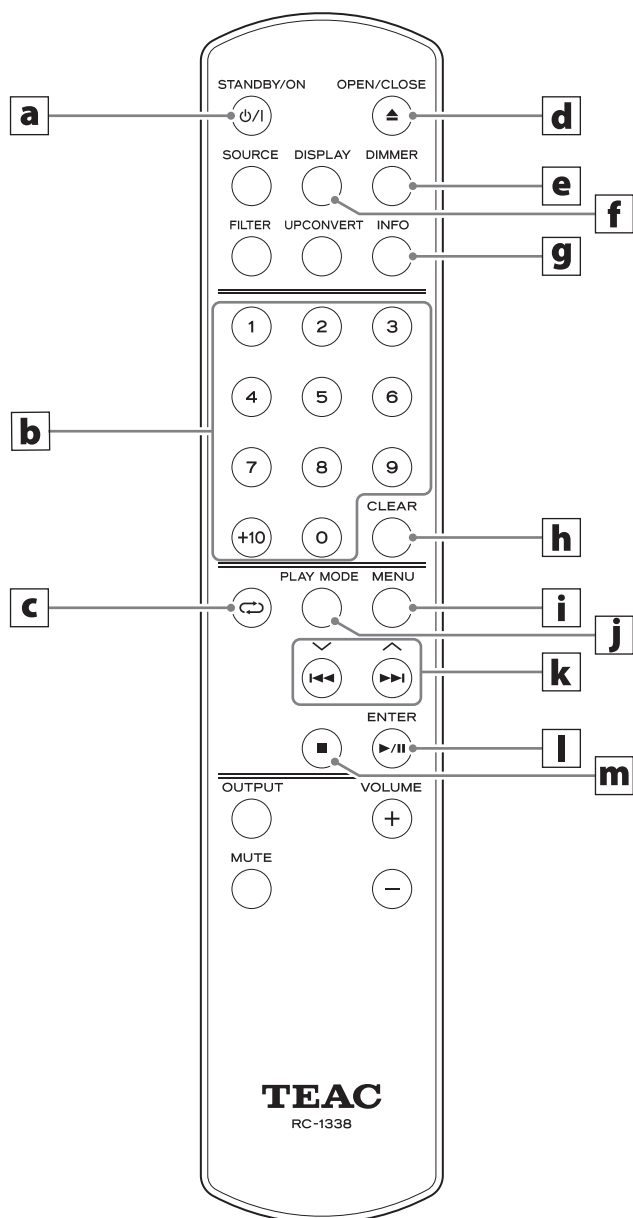
### Quand faut-il remplacer les piles ?

Si la portée d'action de la télécommande diminue ou si l'unité principale cesse de répondre aux touches de la télécommande, remplacez les deux piles par des neuves.

Jetez les piles usagées conformément à leurs instructions ou aux directives établies par votre municipalité.



# Parties et fonctions de la télécommande



Quand l'unité principale et la télécommande ont toutes les deux des touches ayant les mêmes fonctions, ce mode d'emploi explique comment utiliser l'une ou l'autre. La touche homologue peut s'utiliser de la même façon.

## a Touche STANDBY/ON

Appuyez sur cette touche pour mettre l'unité en veille ou pour l'allumer.

## b Touches numériques

Servent par exemple à sélectionner et à programmer des pistes.

## c Touche de répétition (↺)

Sert à changer le réglage de lecture en boucle (page 41).

## d Touche OPEN/CLOSE (▲)

Appuyez sur cette touche pour ouvrir et fermer le tiroir de disque.

## e Touche DIMMER

Appuyez sur cette touche pour régler la luminosité de l'écran de l'unité principale.

## f Touche DISPLAY

## g Touche INFO

Appuyez sur cette touche pour afficher les informations sur le format de lecture (page 39).

## h Touche CLEAR

Sert à effacer des programmations de piste.

## i Touche MENU

Appuyez sur cette touche pour passer en mode de réglage (page 44).

Appuyez sur cette touche en mode de réglage pour revenir à l'écran précédent.

## j Touche PLAY MODE

Appuyez sur cette touche pour alterner entre lecture programmée et lecture aléatoire.

## k Touches de saut (|◀, ▶|)/ touches Haut/Bas (^, v)

Utilisez ces touches pour sauter à la piste précédente ou suivante.

Maintenez une de ces touches pressée durant la lecture pour une recherche en arrière/avant.

### Quand l'écran de menu est ouvert

Utilisez ces touches pour sélectionner des valeurs de réglage.

## l Touche Lecture/Pause (▶ / ||)/ touche ENTER

Appuyez sur cette touche à l'arrêt ou en pause pour lancer ou reprendre la lecture.

Appuyez sur cette touche durant la lecture pour la mettre en pause.

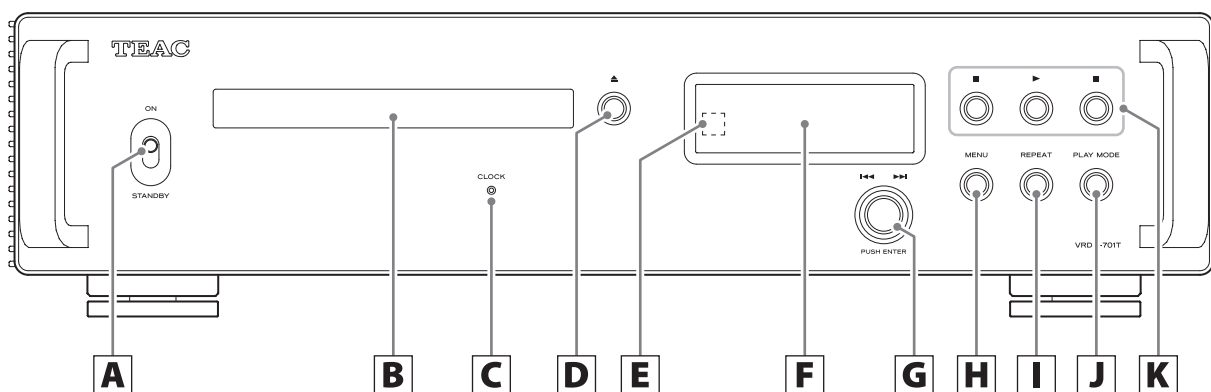
### Quand l'écran de menu est ouvert

Appuyez sur cette touche pour commencer ou confirmer la sélection des valeurs de réglage.

## m Touche Stop (■)

Appuyez sur cette touche en cours de lecture pour arrêter celle-ci.

# Parties et fonctions de l'unité principale



## **A** Commutateur STANDBY/ON

Sert à mettre l'unité en veille ou à l'allumer.

- Si l'écran reste éteint même avec le commutateur d'alimentation STANDBY/ON sur ON, une des raisons suivantes en est généralement la cause.
- L'unité est sous tension, mais la luminosité de l'écran (DIMMER) est réglée sur AUTO OFF (page 45).
- La fonction d'économie automatique d'énergie a été activée, faisant passer l'unité en veille (page 46).
- Le cordon d'alimentation est débranché.
- L'unité a été mise en veille par la fonction de déclenchement d'alimentation (page 38).

Pour rallumer l'unité après que la fonction d'économie d'énergie automatique s'est activée, mettez-la en veille, appuyez sur la touche STANDBY/ON de la télécommande, ou réglez le commutateur STANDBY/ON sur STANDBY avant de le ramener sur ON.

## **B** Tiroir de disque

Chargez-y un disque.

## **C** Voyant CLOCK

Indique le statut de synchronisation d'horloge.

Allumé : L'unité est actuellement synchronisée avec le signal d'horloge reçu par la prise d'entrée de synchro d'horloge CLOCK (10MHz IN).

Clignotant : Aucune horloge n'est reçue, ou l'unité essaie de se synchroniser avec le signal d'horloge.

Éteint : L'horloge externe n'est pas utilisée.

- Voir page 45 les réglages de synchronisation d'horloge.

## **D** Touche d'ouverture/fermeture de tiroir (▲)

Appuyez sur cette touche pour ouvrir et fermer le tiroir de disque.

## **E** Capteur de signal de télécommande

Reçoit les signaux de la télécommande. Pour utiliser la télécommande, pointez-la vers le capteur de signal de télécommande.

## **F** Écran

Cet écran affiche des informations sur l'audio lu et les pages du menu.

## **G** Bouton de saut (|◀◀/▶▶|)

Sert à sauter à la piste précédente ou suivante.

### **Quand l'écran de menu est ouvert**

Sert à sélectionner des valeurs de réglage.

Appuyez sur cette touche pour commencer ou confirmer la sélection des valeurs de réglage.

## **H** Touche MENU

Appuyez sur cette touche pour passer en mode de réglage (page 44).

Appuyez sur cette touche en mode de réglage pour revenir à l'écran précédent.

## **I** Touche de répétition REPEAT (↺)

Sert à changer le réglage de lecture en boucle (page 41).

## **J** Touche PLAY MODE

Sert à alterner entre les modes de lecture ordinaire, en désordre/aléatoire et programmée.

## **K** Touches de contrôle de lecture

Touche Stop (■)

Appuyez sur cette touche pour arrêter la lecture.

Touche Lecture (▶)

Appuyez sur cette touche à l'arrêt ou en pause pour lancer la lecture.

Touche Pause (||)

Appuyez sur cette touche durant la lecture pour la mettre en pause.

## Fonction d'économie automatique d'énergie

Cette unité a une fonction d'économie automatique d'énergie (page 46).

Celle-ci est activée (ON) par défaut.

L'unité bascule automatiquement en mode de veille si aucun signal audio n'est produit et si aucune opération n'est effectuée durant environ 30 minutes.

Réglez la fonction d'économie d'énergie automatique sur OFF pour la désactiver (page 46).

## Luminosité de l'écran

Vous pouvez régler la luminosité de l'écran de cette unité (page 45).

Par défaut, le réglage est Slightly BRIGHT (l'écran reste faiblement éclairé).

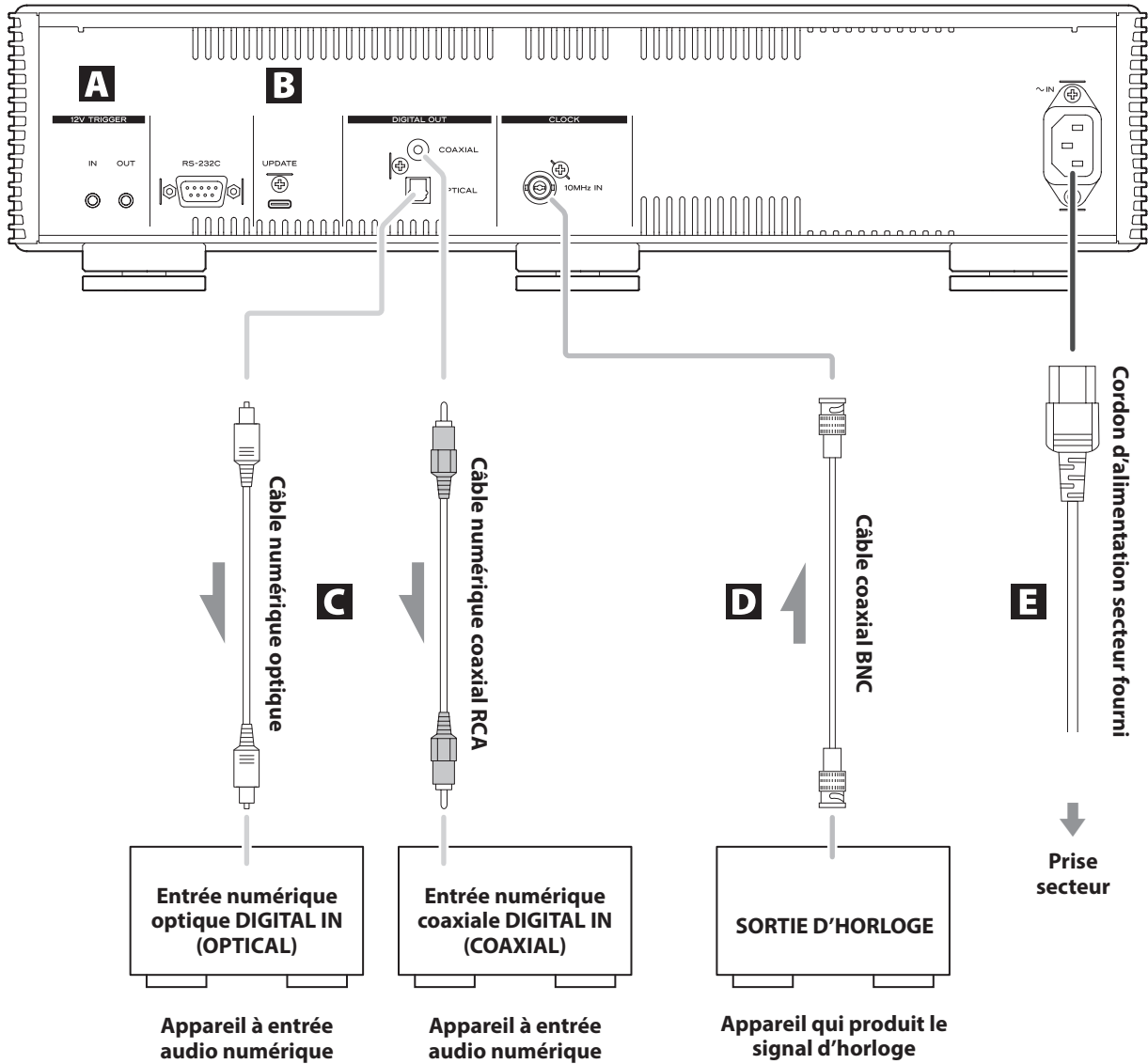
Avec un réglage sur AUTO OFF (extinction automatique de l'éclairage), l'écran s'éteint en cas de non-utilisation.

- Le message d'absence de disque (NO DISC) et les autres avertissements resteront allumés.

# Branchements

**⚠ Une fois tous les branchements faits, raccordez la fiche du cordon d'alimentation à une prise secteur.**

- Lisez les modes d'emploi de tous les appareils que vous comptez employer avec cette unité.
- Ne regroupez pas les câbles de connexion avec des cordons d'alimentation. Cela pourrait entraîner des bruits.
- Branchez à fond toutes les fiches.



**A Prises 12V TRIGGER**

Servent à contrôler l'alimentation depuis une source externe. Ne branchez rien à ces prises lorsque vous ne les utilisez pas (page 38).

**Pour le branchement, utilisez des câbles à fiche mini-jack mono du commerce.**

**B Port UPDATE (maintenance)**

Sert à la maintenance. N'y branchez rien sauf si vous êtes invité à le faire par notre service après-vente.

**C Prises de sortie audio numérique COAXIAL/OPTICAL**

Servent à produire l'audio numérique. Branchez-y les prises d'entrée audio numérique d'appareils audio.

**Pour le branchement, utilisez des câbles numériques coaxiaux RCA ou des câbles numériques optiques à fiches rectangulaires du commerce.**

**D Prise d'entrée de synchro d'horloge CLOCK (10MHz IN)**


Sert à recevoir les signaux de synchronisation d'horloge à 10 MHz (page 49).


**Pour le branchement, utilisez un câble coaxial BNC du commerce.**

**E Prise d'entrée d'alimentation (~IN)**

Branchez ici le cordon d'alimentation fourni.

**Une fois tous les branchements terminés, branchez la fiche du cordon d'alimentation dans une prise secteur.**

 **N'utilisez aucun cordon d'alimentation autre que celui fourni avec cette unité. L'utilisation d'autres cordons d'alimentation peut entraîner un incendie ou un choc électrique.**

 **Débranchez le cordon d'alimentation de la prise secteur en cas de non-utilisation prolongée de l'unité.**

## Branchements (suite)

### Synchronisation des opérations d'alimentation entre des appareils externes et cette unité (fonction de déclenchement)

L'alimentation d'un convertisseur N/A ou d'un autre appareil connecté prenant en charge les fonctions de déclenchement peut être synchronisée avec les opérations d'alimentation de cette unité. Pour le branchement, utilisez des câbles à fiche mini-jack mono du commerce.

#### Prises 12V TRIGGER

##### OUT

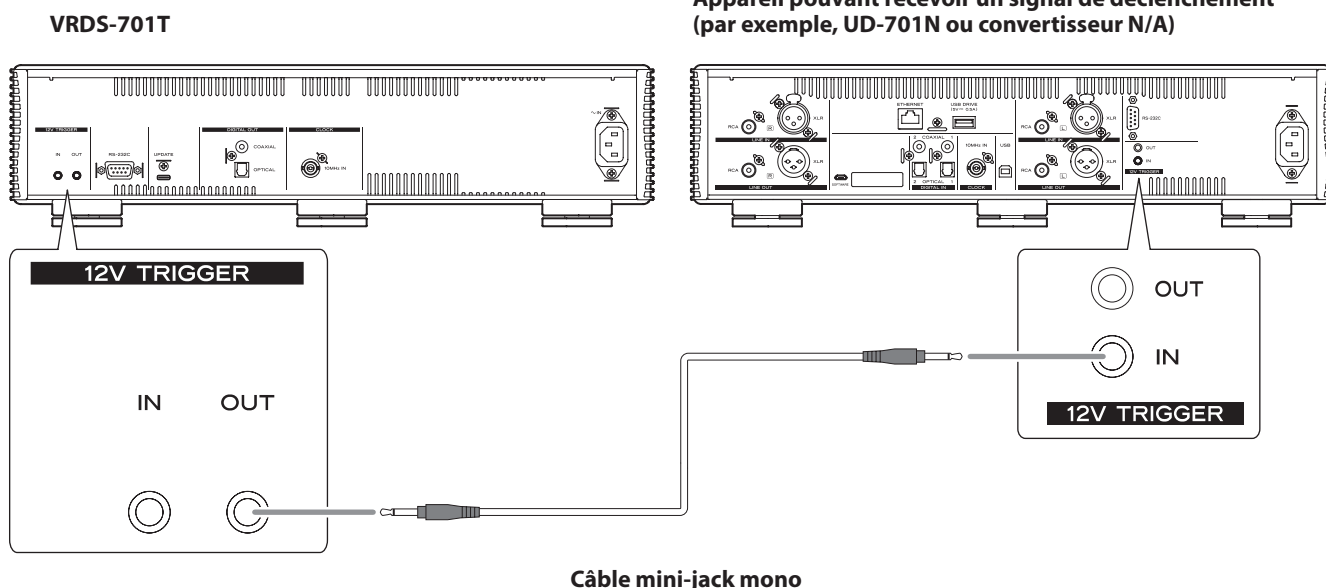
Lorsqu'on allume cette unité, elle produit un signal de 12 V. En connectant la prise TRIGGER OUT de cette unité à un amplificateur de puissance, un caisson de basses ou autre appareil pouvant recevoir un signal de déclenchement, l'alimentation de ce dernier peut être synchronisée avec les opérations d'alimentation de cette unité.

##### IN

Branchez-la au connecteur de sortie de déclenchement d'un préampli ou d'un autre appareil. Ainsi, la commutation de l'alimentation de ce préampli ou autre appareil contrôlera parallèlement cette unité, la mettant en veille ou en service.

#### ATTENTION

- Pour utiliser la fonction d'entrée de déclenchement (« trigger »), réglez le commutateur STANDBY/ON de cette unité sur ON.
- Lorsque vous connectez à la fois IN et OUT, veillez à ne pas provoquer une boucle de déclenchement dans l'ensemble du système.



## À la mise sous tension



Après l'apparition de l'écran ci-dessus, l'état de l'unité est affiché.

### Quand aucun disque n'est disponible



### Exemple d'affichage : arrêt



Nombre total de pistes du disque

Temps total de lecture (minutes:secondes)

Quand un disque est en lecture ou en pause, appuyez sur la touche DISPLAY pour changer ce qui est affiché à l'écran comme suit.

### Exemple d'affichage : lecture



Numéro de la piste lue

Temps écoulé sur la piste lue (minutes:secondes)



Numéro de la piste lue

Temps restant sur la piste lue (minutes:secondes)



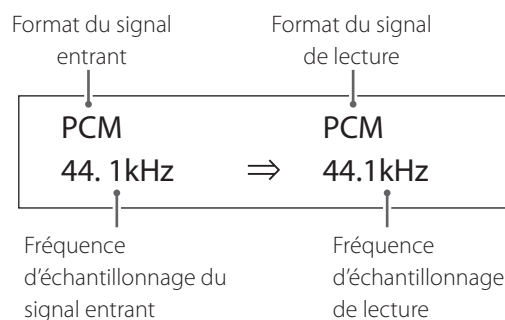
Numéro de la piste lue

Temps restant sur le disque (minutes:secondes)

## Affichage d'informations sur le format de lecture

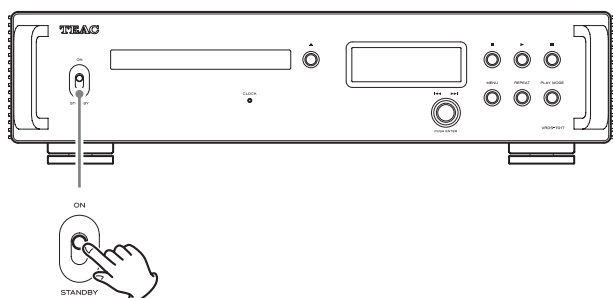
Appuyez sur la touche INFO de la télécommande pendant la lecture pour afficher des informations sur le format de lecture.

- Les affichages de signal entrant et de signal de lecture seront les mêmes si le paramètre MQA est réglé sur « OFF ».



# Fonctionnement de base

- 1** Basculez le commutateur d'alimentation **STANDBY/ON** en position **ON** pour allumer l'unité.

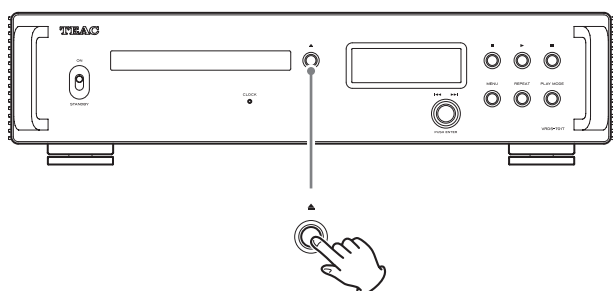


- Si un amplificateur stéréo est connecté à cette unité, allumez-le toujours en dernier.

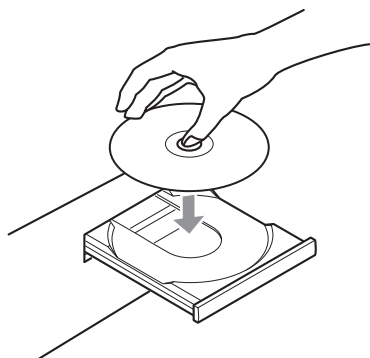
- 2** Réduisez le volume au minimum.

Réduisez le volume au minimum sur les appareils utilisés pour contrôler le volume (par exemple un amplificateur stéréo).

- 3** Appuyez sur la touche d'ouverture/fermeture de tiroir (▲).

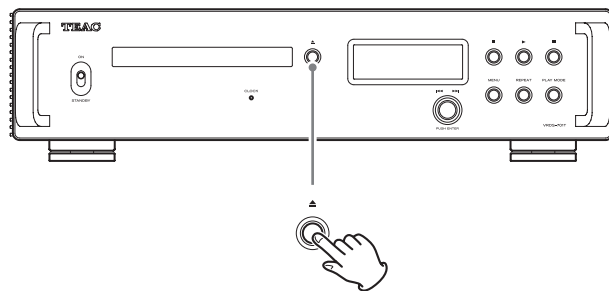


- 4** Placez un disque sur le tiroir avec sa face sérigraphiée vers le haut.



- Ne placez pas plusieurs disques à la fois dans le tiroir.
- Si le tiroir est refermé alors qu'un disque est en dehors des guides de centrage, le disque peut être coincé à l'intérieur et le tiroir risque de ne plus s'ouvrir. Veillez à toujours placer les disques dans les guides au centre du tiroir.
- Lors de l'ouverture ou de la fermeture du tiroir, ne forcez pas dessus avec la main.

- 5** Appuyez sur la touche d'ouverture/fermeture du tiroir (▲) pour fermer le tiroir.



## ⚠ ATTENTION

**Veillez bien à ne pas vous coincer les doigts quand le tiroir se ferme.**

« READING » (lecture) s'affiche et l'unité commence le chargement du disque.

- Il faut un certain temps à l'unité pour charger le disque. Attendez que le nombre total de pistes et la durée totale de lecture s'affichent à l'écran. Quand le chargement est terminé, l'écran apparaît comme suit.

### Exemple d'affichage

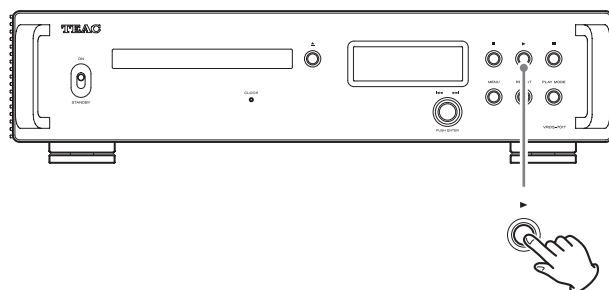


Nombre total de pistes du disque

Temps total de lecture (minutes:secondes)

- Lorsque la fonction **POWER ON PLAY** est activée (ON), la lecture commence immédiatement après la mise sous tension de l'unité (page 46).
- « NO DISC » s'affiche si aucun disque n'a été chargé.
- « No support » s'affiche si un disque qui ne peut pas être lu est chargé.

- 6** Appuyez sur la touche Lecture (▶).



La lecture démarre depuis la première piste.

### Exemple d'affichage



Numéro de la piste lue

Temps écoulé sur la piste lue (minutes:secondes)



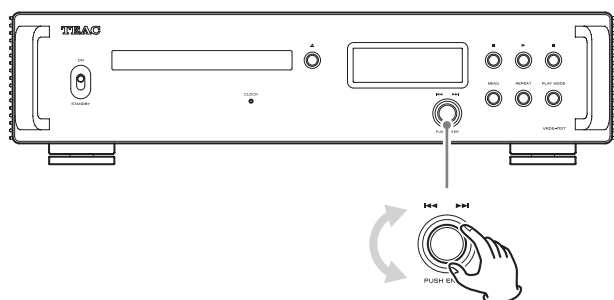
## 7 Réglez le volume.

Réglez le volume sur les appareils utilisés pour contrôler le volume (par exemple un amplificateur stéréo).

### NOTE

- La fonction d'économie automatique d'énergie est par défaut réglée sur ON lorsque l'unité quitte l'usine (page 46).
- Lorsque DIMMER (luminosité de l'écran) est réglé sur AUTO OFF, l'écran s'éteint en cas de non-utilisation (page 45).

## Saut de recherche d'une piste



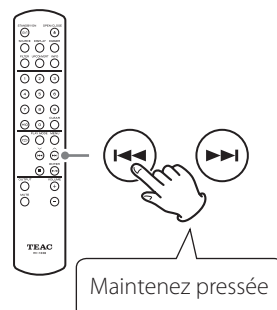
Tournez le bouton de saut (◀▶). Utilisez-le pour sauter à la piste précédente ou suivante. Continuez de tourner jusqu'à ce que la piste désirée soit sélectionnée.

Une fois qu'une piste est sélectionnée, la lecture commence depuis son début.

- Durant la lecture, tournez le bouton de saut d'un clic du côté ▶ pour revenir au début de la piste actuelle. Tournez le bouton de saut en continu du côté ▶ pour sélectionner et lire les pistes de numéro inférieur.

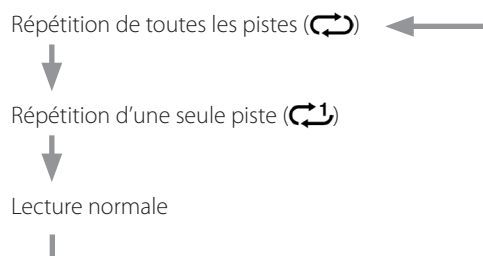
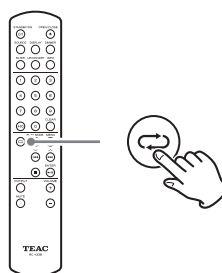
## Recherche d'un passage de piste

Durant la lecture, maintenez une touche de saut (◀▶/▶▶) pressée sur la télécommande jusqu'à ce que la recherche en arrière/avant commence. Relâchez la touche de saut (◀▶/▶▶) quand vous avez trouvé le passage que vous voulez écouter.




## Lecture en boucle (répétition)

Appuyez sur la touche de répétition (↺) pour passer en revue les modes de lecture en boucle comme suit.

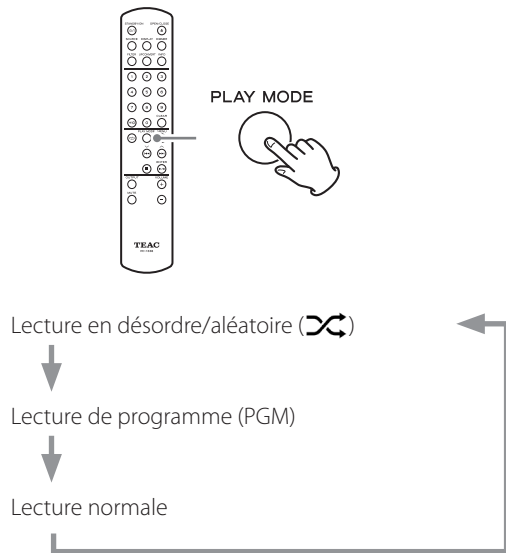


# Fonctionnement de base (suite)

## Lecture en désordre et aléatoire

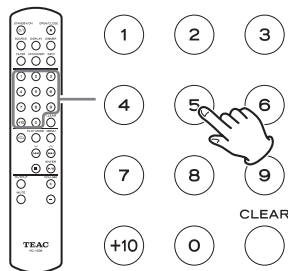
Pour passer à la lecture en désordre/aléatoire, appuyez plusieurs fois sur la touche PLAY MODE jusqu'à ce que  apparaisse en haut à droite de l'écran.

La lecture se fera en désordre ou de façon aléatoire en fonction du réglage choisi (page 46).



- La lecture aléatoire ne s'arrêtera que lorsque vous appuierez sur la touche Stop (■).
- Lorsque la lecture aléatoire est activée, le réglage de lecture en boucle (répétition) n'a aucun effet.


## Utilisation des touches numériques pour sélectionner la piste à lire


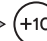



Durant la lecture ou à l'arrêt, appuyez sur les touches numériques pour sélectionner une piste par son numéro et lancer la lecture de cette piste.

Pour lire une piste ayant un numéro à un seul chiffre, appuyez sur la touche numérique correspondante. Pour lire une piste ayant un numéro à deux chiffres, appuyez autant de fois que nécessaire sur la touche +10 pour obtenir le chiffre des dizaines puis appuyez sur la touche numérique correspondant au deuxième chiffre. La lecture démarre une fois le numéro de piste saisi.

Exemples de manœuvre

Piste 7 : 

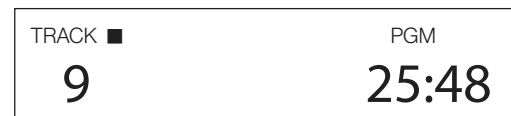
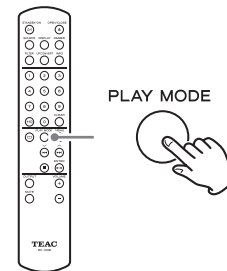
Piste 23 :  ➡  ➡ 

## Lecture de programme

La lecture de programme n'est possible qu'avec des CD audio.

### Emploi de la lecture de programme

- 1 Appuyez plusieurs fois sur la touche PLAY MODE jusqu'à ce que PGM apparaisse en haut à droite de l'écran.**



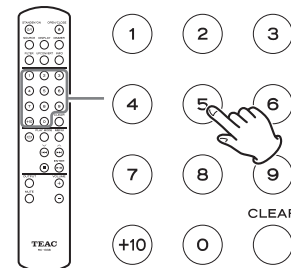
- Si PGM est sélectionné pendant la lecture, la piste actuellement lue est ajoutée comme titre 1 du programme.

### NOTE

La programmation est possible même lorsque le tiroir est ouvert. Dans ce cas, les numéros de piste 1 à 99 peuvent être programmés. Cependant, après le chargement d'un CD, les numéros de piste qui ne figurent pas sur le CD seront supprimés.

- 2 Utilisez les touches numériques pour saisir les numéros de piste.**

Voir « Utilisation des touches numériques pour sélectionner la piste à lire » pour obtenir des instructions sur la saisie des numéros de piste.



### Exemple d'affichage



**3** Continuez à saisir les numéros des pistes que vous souhaitez programmer.

**4** Appuyez sur la touche Lecture/Pause (▶/||) de la télécommande ou sur la touche Lecture (▶) de l'unité pour lancer la lecture du programme.

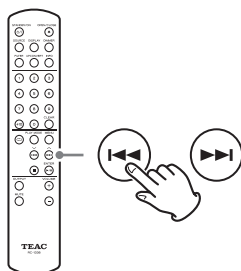
- Les fonctions de saut, de recherche et de lecture en boucle (répétition) peuvent être utilisées pendant la lecture du programme.

#### NOTE

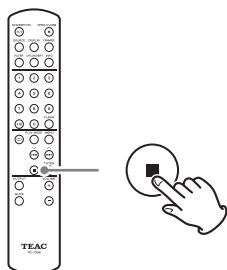
Lorsque « PGM » est affiché en haut à droite de l'écran, ce qui se passe lorsqu'on utilise les touches numériques pour saisir des numéros de piste dépend du réglage de PROGRAM PLAY (page 46).

## Vérification de l'ordre de programmation

Appuyez sur les touches de saut (◀◀/▶▶) lorsque la lecture est arrêtée pour passer en revue les titres du programme, ce qui permet de vérifier l'ordre du programmation.



Appuyez sur la touche Stop (■) quand la vérification est terminée.



## Changement de la programmation des pistes

Si vous appuyez sur les touches de saut (◀◀/▶▶) lorsque la lecture est arrêtée, le numéro de rang dans le programme clignote, ce qui indique que le mode de modification du programme est activé. Appuyez sur la touche Stop (■) pour mettre fin au mode de modification du programme.

### Insertion de pistes

**1** Utilisez les touches de saut (◀◀/▶▶) lorsque la lecture est arrêtée pour afficher le numéro de rang du programme où vous souhaitez insérer une piste.

Exemple d'affichage



Le rang du programme clignote

**2** Utilisez les touches numériques pour saisir les numéros de piste.

Exemple d'affichage



- Dans cet exemple, la piste numéro 6 a été ajoutée au 3e rang du programme. Les pistes de tous les rangs suivants reculeront d'autant dans le programme.
- Continuez à saisir des numéros de piste pour insérer plusieurs pistes.

**3** Appuyez sur la touche Stop (■) pour mettre fin à la modification.

## Fonctionnement de base (suite)

### Effacement des pistes sélectionnées

- 1 Utilisez les touches de saut (◀◀/▶▶) lorsque la lecture est arrêtée pour afficher le numéro de rang dont vous souhaitez effacer la piste dans le programme.

Exemple d'affichage



Rang du programme

- 2 Appuyez sur la touche CLEAR pour retirer la piste du programme.

Exemple d'affichage



Rang du programme

- Dans cet exemple, la piste numéro 6 a été retirée du rang 2 du programme, faisant d'autant avancer les pistes des rangs 3 et suivants.

- 3 Appuyez sur la touche Stop (■) pour mettre fin à la modification.

#### NOTE

Appuyer à l'arrêt sur la touche CLEAR efface la piste du dernier rang ajouté au programme.

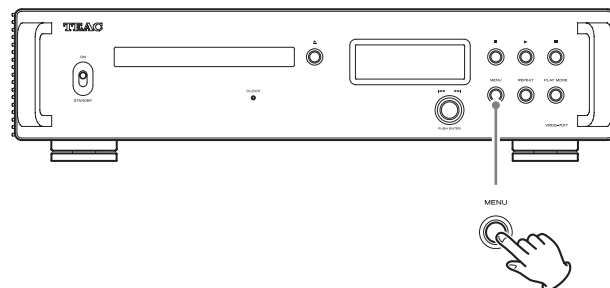
### Effacement de la totalité du programme

Effectuez l'une des actions suivantes pour effacer le programme.

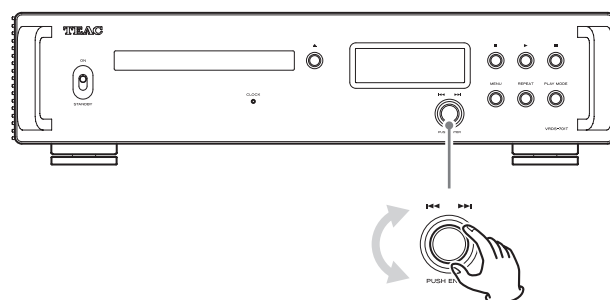
- Appuyez sur la touche PLAY MODE de manière à ce que « PGM » disparaisse en haut et à droite de l'écran.
- Éjectez un disque.

## Réglages

- 1 Appuyez sur la touche MENU pour ouvrir l'écran de menu.

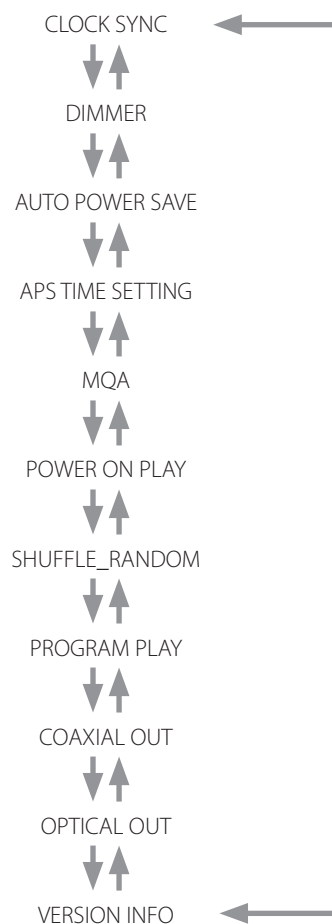


- 2 Tournez le bouton de saut (◀◀/▶▶) pour afficher le paramètre que vous souhaitez régler.

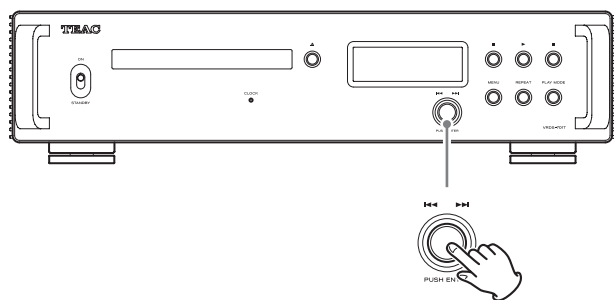


- Vous pouvez aussi utiliser les touches Haut et Bas (∧, ∨) de la télécommande.

Les paramètres de menus apparaissent dans l'ordre suivant.

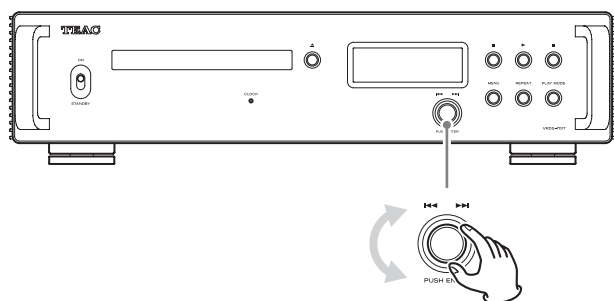


### 3 Appuyez sur le bouton de saut (|◀◀/▶▶|).



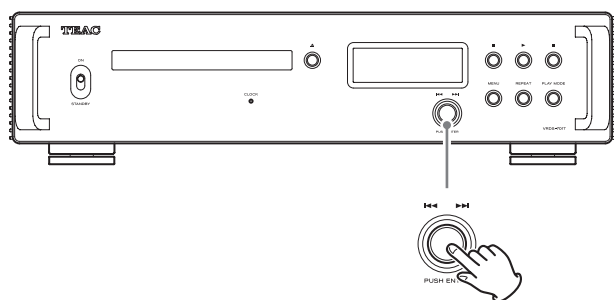
- Vous pouvez aussi appuyer sur la touche ENTER de la télécommande.
- La valeur actuellement réglée s'affiche à l'écran.

### 4 Tournez le bouton de saut (|◀◀/▶▶|) pour changer les valeurs de réglage.



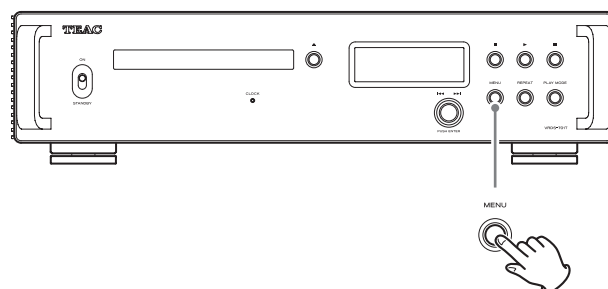
- Vous pouvez aussi utiliser les touches Haut et Bas (∧, ∨) de la télécommande.
- Appuyez sur la touche MENU pour revenir à la sélection de paramètres de réglage.

### 5 Appuyez sur le bouton de saut (|◀◀/▶▶|).



- Vous pouvez aussi appuyer sur la touche ENTER de la télécommande.

### 6 Quand vous avez fini vos réglages, appuyez sur la touche MENU pour réafficher l'état de l'unité.



- Si vous ne faites rien durant environ sept secondes, l'écran retourne à l'affichage de l'état.

## Synchronisation d'horloge



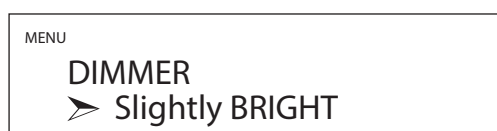
#### OFF (par défaut)

Aucune synchronisation d'horloge n'est utilisée.

#### ON

L'horloge de référence (« maître ») de cette unité sera synchronisée sur l'horloge 10 MHz reçue par la prise d'entrée de synchro CLOCK (10MHz IN).

## Luminosité de l'écran



#### BRIGHT

Reste éclairé vivement.

#### Slightly BRIGHT (par défaut)

Reste faiblement éclairé.

#### DARK

Reste éteint.

#### AUTO OFF

S'éteint automatiquement.

- L'écran s'éteint en cas de non-utilisation.

#### NOTE

Cela peut se régler directement avec la touche DIMMER de la télécommande.

## Réglages (suite)

### Fonction d'économie automatique d'énergie

Cette unité a une fonction d'économie automatique d'énergie.

- La fonction d'économie automatique d'énergie est activée (ON) lorsque l'unité quitte l'usine.



#### OFF

La fonction d'économie automatique d'énergie est désactivée.

#### ON (par défaut)

L'unité bascule automatiquement en mode de veille si aucun signal audio n'est produit et si aucune opération n'est effectuée durant environ 30 minutes.

- Le réglage de temporisation de l'économie automatique d'énergie permet de changer le temps qui s'écoule avant que l'unité ne bascule en mode de veille.

### Réglage de la temporisation d'économie automatique d'énergie

Cela détermine le temps qui s'écoulera avant que la fonction d'économie automatique d'énergie ne fasse passer l'unité en mode de veille.



Ce temps peut être réglé dans une plage de 1 à 255 minutes par pas de 1 minute (par défaut, 30 minutes).

### MQA

Ce paramètre active/désactive la fonction de décodage MQA.



#### OFF (par défaut)

Le décodage MQA ne sera pas utilisé.

#### ON

Seul le décodage de base sera exécuté. La sortie se fera au double de la fréquence d'échantillonnage (88,2 kHz).

### Fonction de lecture au démarrage

La lecture peut commencer automatiquement à la mise sous tension de l'unité.



#### OFF (par défaut)

La lecture ne démarre pas automatiquement à la mise sous tension de l'unité.

#### ON

La lecture démarre automatiquement à la mise sous tension de l'unité.

### Lecture en désordre et aléatoire

Il est possible de sélectionner les modes de lecture en désordre et aléatoire.



#### SHUFFLE PLAY (par défaut)

Cette fonction de lecture en désordre permet de lire une fois chaque piste du disque.

- À moins d'avoir également réglé la répétition (lecture en boucle), la lecture s'arrête une fois toutes les pistes du disque lues.

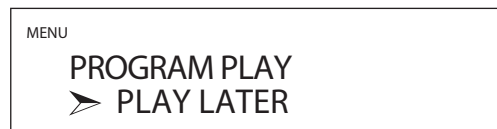
#### RANDOM PLAY

Cette fonction permet de lire les pistes du disque de manière aléatoire.

- Quel que soit le réglage de répétition (lecture en boucle), la lecture ne s'arrêtera que lorsque vous appuierez sur la touche Stop (■).

### Effet d'une saisie de piste en cours de lecture de programme

Cela définit ce qui se passe lorsqu'on utilise les touches numériques pendant la lecture du programme.



#### PLAY LATER (par défaut)

Le numéro de piste saisi est ajouté à la fin du programme. La lecture de la piste en cours se poursuit.

#### PLAY NOW

Le numéro de piste saisi est ajouté à la fin du programme et sa lecture commence immédiatement.

## Sortie numérique coaxiale

Cela règle la sortie par la prise de sortie audio numérique COAXIAL.



### OFF

Aucun signal audio ne sera produit par la prise de sortie audio numérique COAXIAL.

### ON (par défaut)

Les signaux audio seront produits par la prise de sortie audio numérique COAXIAL.

## Sortie numérique optique

Cela règle la sortie par la prise de sortie audio numérique OPTICAL.



### OFF

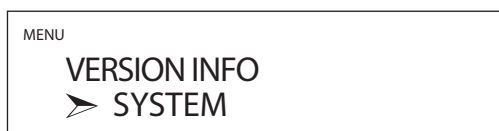
Aucun signal audio ne sera produit par la prise de sortie audio numérique OPTICAL.

### ON (par défaut)

Les signaux audio seront produits par la prise de sortie audio numérique OPTICAL.

## Affichage d'informations

Affiche la version de firmware utilisée par l'unité.



### SYSTEM

La version de firmware du microprocesseur

### USB

La version de firmware USB

### FPGA

La version de firmware du FPGA

### CD DRIVE

La version de firmware du lecteur de CD

Si vous rencontrez un problème avec ce produit, veuillez prendre un moment pour lire les informations suivantes avant de solliciter une réparation. Si cette unité ne fonctionne toujours pas correctement, contactez le revendeur chez qui vous l'avez achetée.

## Générales

### L'unité ne s'allume pas.

- ➔ Vérifiez que le cordon d'alimentation est enfoncé à fond dans la prise secteur. Si la prise a un commutateur, vérifiez que celui-ci est en position ON.
- ➔ Branchez un autre appareil électrique à la prise pour vérifier qu'elle fournit bien du courant.
- ➔ Si la fonction d'économie automatique d'énergie a fait passer l'unité en veille, appuyez sur la touche STANDBY/ON de la télécommande pour rallumer l'unité.

### Le mode de veille s'active automatiquement.

- ➔ La fonction d'économie automatique d'énergie intervient pour faire passer l'unité en veille. Mettez l'interrupteur STANDBY/ON sur STANDBY, puis ramenez-le sur ON. Changez si nécessaire le réglage de la fonction d'économie automatique d'énergie (page 46).

### La télécommande ne fonctionne pas.

- ➔ Mettez l'unité principale sous tension (page 40).
- ➔ Si les piles sont déchargées, remplacez les deux par des neuves (page 32).
- ➔ La télécommande ne fonctionnera pas s'il y a des obstacles entre elle et l'unité principale. Pointez la télécommande vers la face avant de l'unité à une distance de moins de 5 m environ (page 32).

### Un téléviseur ou autre appareil ne fonctionne pas correctement.

- ➔ L'utilisation de la télécommande de cette unité peut amener certains téléviseurs et autres appareils télécommandables à fonctionner de façon incorrecte.

### Il y a un bruit de ronflement.

- ➔ Si un câble de liaison est proche d'un cordon d'alimentation, d'un éclairage fluorescent ou d'une cause de parasites similaire, écartez-les autant que possible l'un de l'autre.

### Aucun son n'est produit.

- ➔ Si un amplificateur stéréo est branché à cette unité, réglez son volume.
- ➔ Revérifiez les branchements aux autres équipements.

# Guide de dépannage (suite)

## Transport du CD

### La lecture n'est pas possible.

- ➔ Si le disque est à l'envers, rechargez-le avec sa face sérigraphiée vers le haut.
- ➔ Si le disque est sale, nettoyez-le.
- ➔ Si un disque vierge est chargé, remplacez-le par un disque contenant des enregistrements.
- ➔ Selon la qualité et les conditions d'enregistrement du disque, certains CD-R/CD-RW peuvent ne pas être lisibles.
- ➔ Cette unité ne peut pas lire des CD-R/RW non finalisés.

### Le son saute.

- ➔ Des vibrations peuvent faire sauter le son. Installez cette unité dans un endroit stable.
- ➔ Si le disque est sale, nettoyez-le.
- ➔ N'utilisez pas de disques rayés ou fissurés.

## Synchronisation d'horloge

### Le voyant CLOCK ne cesse pas de clignoter.

- ➔ Réglez l'horloge de synchronisation sur OFF lorsque vous ne l'utilisez pas.
- ➔ Un signal d'horloge sur lequel l'unité ne peut pas se synchroniser est peut-être reçu. Vérifiez les connexions des prises de synchro d'horloge et les réglages des appareils connectés.

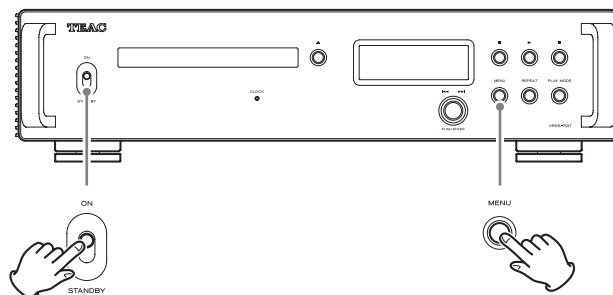
Comme cette unité utilise un microcontrôleur, du bruit ou d'autres interférences externes peuvent entraîner son mauvais fonctionnement. Si cela se produit, débranchez le cordon d'alimentation, attendez un instant puis rallumez l'unité et relancez les opérations.

### Note concernant la condensation

Si on fait passer cette unité d'un environnement extérieur froid à une pièce chauffée, ou si par exemple le chauffage vient d'être allumé dans la pièce où elle se trouve, de la condensation peut se produire sur les pièces de fonctionnement ou les lentilles, entraînant un fonctionnement incorrect. Si c'est le cas, laissez le produit allumé et attendez une ou deux heures. Cela devrait permettre un retour de la lecture à la normale.

## Restauration des réglages par défaut

- 1** En maintenant pressée la touche MENU, basculez le commutateur d'alimentation **STANDBY/ON** sur **ON**.



- 2** Relâchez la touche MENU lorsque **FACTORY RESET (réinitialisation d'usine)** apparaît.



- 3** Appuyez sur le bouton de saut (**⏪/⏩**).



L'écran habituel apparaît une fois la réinitialisation terminée.

Exemple d'affichage



### ATTENTION

- Ne faites pas passer l'unité en veille tant que l'écran habituel n'est pas revenu.
  - Cette opération restaurera tous les réglages par défaut.
- 
- Les réglages d'usine par défaut sont les valeurs de réglage qui apparaissent dans les images d'écran employées par ce mode d'emploi.



## Types de disque lisibles

Audio CD (CD-R et CD-RW compris)

- Les CD de 8 cm ne sont pas pris en charge.

## Entrée de synchronisation d'horloge

Connecteur ..... BNC  
 Fréquence d'échantillonnage d'entrée ..... 10 MHz  
 Impédance d'entrée ..... 50 Ω  
 Niveau d'entrée... Onde rectangulaire : équivalent aux niveaux TTL  
 Onde sinusoïdale : 0,5 à 1,0 Vrms

## Sorties audio numériques

Numérique COAXIAL ..... 1  
 Niveau de sortie ..... 0,5 Vc-c  
 Impédance de sortie ..... 75 Ω  
 Numérique OPTICAL ..... 1  
 TOS (JEITA RC5720C)

## Contrôle externe

Entrée de déclenchement (12V TRIGGER IN) ..... 1  
 (mini-jack 3,5 mm mono)  
 Niveau d'entrée ..... 12 V, 1 mA  
 Sortie de déclenchement (12V TRIGGER OUT) ..... 1  
 (mini-jack 3,5 mm mono)  
 Niveau de sortie ..... 12 V  
 Alimentation maximale en courant ..... 100 mA

## Générales

Alimentation électrique

Modèle Europe ..... CA 220–240 V, 50/60 Hz

Modèle USA/Canada ..... CA 120 V, 60 Hz

Consommation électrique ..... 10 W

Consommation en veille ..... 0,4 W (en mode de veille)

Dimensions externes (L × H × P, saillies incluses)  
 444 × 111 × 333 mm

Poids ..... 10,1 kg

Température de fonctionnement ..... +5 °C à +35 °C

Hygrométrie de fonctionnement ... 5 % à 85 % (sans condensation)

Température de stockage ..... –20 °C à +55 °C

FR

## Accessoires fournis

Cordon d'alimentation × 1

Télécommande (RC-1338) × 1

Piles pour télécommande (AAA) × 2

Patins de pied × 3

Mode d'emploi (ce document, y compris la garantie) × 1

- Pour plus d'informations sur la garantie, les utilisateurs vivant aux États-Unis et au Canada doivent consulter les pages 74–75 et le dos de la couverture (document de garantie). Les utilisateurs vivant en Europe et dans d'autres régions doivent consulter la page 75.

- Caractéristiques techniques et aspect sont sujets à changements sans préavis.
- Le poids et les dimensions sont des valeurs approchées.
- Les illustrations de ce mode d'emploi peuvent légèrement différer des modèles de production.

# INSTRUCCIONES IMPORTANTES DE SEGURIDAD



El símbolo del rayo acabado en flecha dentro de un triángulo equilátero alerta al usuario de la presencia de un "voltaje peligroso" sin aislar dentro de la carcasa del producto que puede ser de magnitud suficiente como para constituir riesgo de descarga eléctrica para las personas.



El signo de exclamación dentro de un triángulo equilátero alerta al usuario de la presencia de importantes instrucciones de funcionamiento y mantenimiento en la literatura que acompaña al aparato.

**AVISO: PARA EVITAR RIESGO DE INCENDIO O DESCARGAS ELÉCTRICAS, NO EXPONGA ESTE APARATO A LA LLUVIA NI A LA HUMEDAD.**

## PRECAUCIÓN

- NO quite las carcasas externas ni deje al aire la electrónica. ¡EN EL INTERIOR NO HAY PIEZAS QUE EL USUARIO PUEDA MANIPULAR!
  - SI EXPERIMENTA PROBLEMAS CON ESTE PRODUCTO, PÓNGASE EN CONTACTO CON EL ESTABLECIMIENTO DONDE ADQUIRIÓ LA UNIDAD PARA SOLICITAR SERVICIO TÉCNICO. NO UTILICE EL APARATO HASTA QUE HAYA SIDO REPARADO.
  - EL USO DE CONTROLES, AJUSTES O PROCEDIMIENTOS QUE NO SEAN LOS ESPECIFICADOS EN ESTE MANUAL PUEDE CAUSAR EXPOSICIÓN A RADIACIONES PELIGROSAS.
- 1) Lea estas instrucciones.
  - 2) Conserve estas instrucciones.
  - 3) Cumpla con lo indicado en los avisos.
  - 4) Siga todas las instrucciones.
  - 5) No utilice este aparato cerca del agua.
  - 6) Límpielo solo con un trapo seco.
  - 7) No bloquee ninguna de las ranuras de ventilación. Instale este aparato de acuerdo con las instrucciones del fabricante.
  - 8) No instale este aparato cerca de fuentes de calor como radiadores, calentadores, hornos u otros aparatos (incluyendo amplificadores) que produzcan calor.
  - 9) No elimine el sistema de seguridad que supone el enchufe polarizado o con toma de tierra. Un enchufe polarizado tiene dos bornes, uno más ancho que el otro. Uno con toma de tierra tiene dos bornes iguales y una tercera lámina para la conexión a tierra. El borne ancho o la lámina se incluyen para su seguridad. Si el enchufe que venga con la unidad no encaja en su salida de corriente, haga que un electricista cambie su salida anticuada.
  - 10) Evite que el cable de corriente quede de forma que pueda ser pisado o quedar retorcido o aplastado, especialmente en los enchufes, receptáculos o en el punto en el que salen del aparato.
  - 11) Use solo accesorios / complementos especificados por el fabricante.

- 12) Utilice este aparato solo con un soporte, trípode o bastidor especificado por el fabricante o que se venda con el propio aparato. Cuando utilice un bastidor con ruedas, tenga cuidado al mover la combinación de aparato/bastidor para evitar que vuelque y puedan producirse daños.



- 13) Desconecte este aparato de la corriente durante las tormentas eléctricas o cuando no lo vaya a usar durante un periodo de tiempo largo.
  - 14) Dirija cualquier posible reparación solo al servicio técnico oficial. Este aparato deberá ser reparado si se ha dañado de alguna forma, como por ejemplo si el cable de corriente o el enchufe están rotos, si ha sido derramado algún líquido sobre la unidad o algún objeto ha sido introducido en ella, si ha quedado expuesto a la lluvia o la humedad, si no funciona normalmente o si ha caído al suelo en algún momento.
- Este aparato libera corriente nominal no válida para el funcionamiento a través de la toma de corriente, aún cuando el interruptor de encendido y activación (POWER o STANDBY/ON) no esté en la posición de encendido (ON).
  - El enchufe que se conecta a la red es el dispositivo de desconexión, por lo que deberá permanecer siempre en perfecto estado de uso.
  - Deberá llevar cuidado si utiliza auriculares con este producto, ya que una excesiva presión sonora (volumen) procedente de los mismos puede causar pérdidas de audición.

## PRECAUCIÓN

- No exponga este aparato a salpicaduras ni goteras.
- No coloque objetos que contengan líquidos, como por ejemplo jarrones, sobre el aparato.
- Las piezas con forma de asa de los lados izquierdo y derecho del panel frontal son decorativas. No meta los dedos por ellas ni las utilice para transportar la unidad.
- No instale este aparato en lugares cerrados tales como estanterías o similares.
- Este aparato debe situarse lo suficientemente cerca de una toma de electricidad como para poder alcanzar fácilmente el cable de corriente en cualquier momento.
- Si el producto utiliza pilas (esto incluye las pilas instaladas y los "packs" de pilas), se evitará su exposición directa al sol, al fuego o a cualquier otra fuente de calor excesivo.
- PRECAUCIÓN con los productos que emplean baterías de litio reemplazables: existe peligro de explosión si la batería se reemplaza por otra de tipo incorrecto. Reemplácela sólo por otra igual o de tipo equivalente.

## AVISO

Los productos con construcción de Clase **I** están equipados con un cable de alimentación que tiene conexión de tierra. El cable de estos productos deberá conectarse a una toma de corriente que tenga conexión de protección de tierra.

**EN EE. UU./CANADÁ, UTILICE SOLO ALIMENTACIÓN CON CORRIENTE DE 120 V.**

### ⚠ Precauciones con respecto a las pilas

Un mal uso de las pilas puede hacer que se rompan o que tengan fugas y ello causar fuego, lesiones u oxidación en los objetos cercanos. Por favor, lea y observe las siguientes precauciones cuidadosamente.

- Asegúrese de introducir las pilas siempre con la correcta orientación de los polos positivo (⊕) y negativo (⊖).
- Use pilas del mismo tipo. Nunca utilice juntas pilas de tipos diferentes.
- Si no va a utilizar el mando a distancia durante mucho tiempo (más de un mes), quite las pilas para evitar que se sulfaten y tengan fugas.
- Si las pilas presentan fugas, limpie el líquido que haya caído en el compartimento y sustituya las pilas por otras nuevas.
- No utilice pilas que no sean del tipo especificado. No mezcle pilas nuevas con viejas ni utilice juntas pilas de tipos distintos.
- No caliente ni desarme las pilas. Nunca tire pilas al fuego ni al agua.
- No transporte ni almacene pilas con otros objetos metálicos. Las pilas podrían producir cortocircuitos, perder líquido o explotar.
- Nunca recargue una pila si no está completamente seguro de que es una pila recargable.
- No esponga las pilas a una presión atmosférica extremadamente baja, ya que esto podría causar una explosión o fuga de líquidos o gases inflamables.

### Información sobre el láser

Este producto láser es un producto láser de consumo conforme a la norma EN 50689:2021 y cumple con todos los requisitos de los productos láser de consumo a excepción de los productos atractivos para niños.

Este producto contiene un sistema láser y está clasificado como PRODUCTO LÁSER DE CLASE 1 de acuerdo con la norma IEC 60825-1:2014. Esta clase no requiere especial atención en un uso normal. No lo desarme para evitar la exposición al rayo láser.

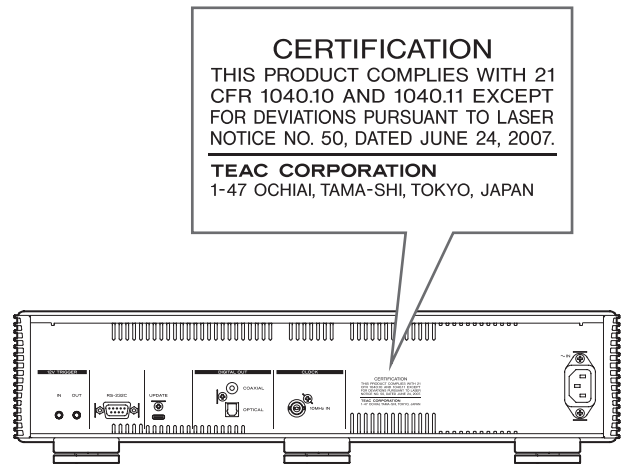
#### Láser:

Tipo:	EP-C101
Fabricante:	EVER BRIGHT ELECTRIC SCIENCE & TECHNOLOGY(BEIHAI)LTD.
Potencia de salida de láser:	0,7 mW en la lente del objetivo
Longitud de onda:	790 ±25 nm

### Modelo para EE. UU.

Este producto ha sido diseñado y fabricado de acuerdo con las normativas de la FDA, título 21, CFR, capítulo 1, subcapítulo J, basado en el Acta de Control de Radiaciones para la Salud y la Seguridad de 1968, y está clasificado como producto láser de Clase I. No se produce radiación láser invisible peligrosa porque la radiación láser invisible emitida en el interior de este producto queda completamente confinada dentro de la carcasa protectora.

La etiqueta exigida por esta normativa es la siguiente:



# INSTRUCCIONES IMPORTANTES DE SEGURIDAD (continuación)

## Modelo para EE.UU.

### Declaración de conformidad del suministrador

Número de modelo: VRDS-701T

Marca comercial: TEAC

Parte responsable:

Por favor, póngase en contacto con nosotros a través de la siguiente dirección: <https://teac.jp/int/support/usa/contact>

Este dispositivo cumple con el apartado 15 de las Normas de la FCC. Su funcionamiento está sujeto a las dos siguientes condiciones: (1) este dispositivo no puede causar interferencias perjudiciales y (2) este dispositivo debe aceptar cualquier interferencia recibida, incluidas interferencias que puedan causar anomalías de funcionamiento.



### Información

Se ha comprobado que este equipo cumple con los límites establecidos para los dispositivos digitales de Clase B, de acuerdo con el apartado 15 de las Normas de la FCC. Estos límites están diseñados para proporcionar una protección razonable contra interferencias perjudiciales en instalaciones residenciales. Este equipo genera, utiliza y puede irradiar energía de radiofrecuencia y, si no se instala y se utiliza de acuerdo con las instrucciones, puede causar interferencias perjudiciales en las comunicaciones por radio. Sin embargo, no se puede garantizar que dichas interferencias no se produzcan en instalaciones particulares. Si este equipo causa interferencias perjudiciales en la recepción de radio o televisión, que se comprueban apagando y encendiendo el equipo, se recomienda al usuario que intente corregirla mediante una o varias de las siguientes medidas:

- Reoriente o recolocque el equipo y/o la antena receptora.
- Aumente la separación entre el equipo y el receptor.
- Conecte el equipo a una toma de electricidad situada en un circuito eléctrico diferente al del receptor.
- Consulte al distribuidor o solicite ayuda a un técnico de radio/TV con experiencia.

### PRECAUCIÓN

Cualquier cambio o modificación efectuada en este equipo que no haya sido expresamente aprobada por la parte responsable del cumplimiento de los requisitos exigidos podría invalidar el derecho del usuario a utilizar el equipo.

## Modelo para Europa



Este producto cumple con las exigencias de las directivas europeas y con los reglamentos de la Comisión Europea.

## Para consumidores europeos

### Deshacerse de aparatos eléctricos, electrónicos, pilas/baterías y acumuladores

- a) Todos los aparatos eléctricos y electrónicos, y pilas/baterías y acumuladores gastados, deben ser eliminados separados del resto de basura común y únicamente en los "puntos limpios" o bajo los procedimientos especificados por el gobierno o autoridades municipales locales.
- b) Con la eliminación correcta de los equipos eléctricos y electrónicos, y de pilas/baterías y acumuladores gastados, estará ayudando a conservar recursos muy valiosos y a evitar los posibles efectos negativos en la salud humana y en el medio ambiente.
- c) La eliminación incorrecta de los equipos eléctricos y electrónicos, y pilas/baterías y acumuladores, puede producir efectos muy dañinos en el medio ambiente y en la salud humana a causa de las sustancias peligrosas que pueden encontrarse en estos equipos.
- d) El símbolo de Eliminación de Aparatos Eléctricos y Electrónicos (WEEE en inglés), identificado por cubos de basura con ruedas tachados, indican que los equipos eléctricos y electrónicos, y las pilas/baterías y acumuladores, deben ser eliminados de forma totalmente independiente con respecto a la basura doméstica. Si una pila/batería o un acumulador contienen más cantidad de los valores especificados de plomo (Pb), mercurio (Hg), y/o cadmio (Cd) según está definido en la Directiva relativa a las pilas (2006/66/CE, 2013/56/UE), entonces los símbolos químicos correspondientes a estos elementos estarán indicados debajo del símbolo WEEE.
- e) Existen sistemas para la eliminación y recogida a disposición del usuario final. Si necesita más información sobre cómo deshacerse de aparatos eléctricos y electrónicos antiguos, así como de pilas/baterías y acumuladores, póngase en contacto con su ayuntamiento, con la correspondiente empresa del servicio de recogida de residuos o con el establecimiento donde adquirió ese aparato.



MQA and the Sound Wave Device are registered trademarks of MQA Limited © 2016

Los nombres de otras compañías, nombres de productos y logos que aparecen en este documento son marcas comerciales o registradas de sus respectivos propietarios.

## Índice

---

Gracias por elegir TEAC. Lea este manual atentamente para obtener el mejor rendimiento de esta unidad.

Después de leerlo, guárdelo en un lugar seguro para futuras consultas.

INSTRUCCIONES IMPORTANTES DE SEGURIDAD .....	50
Montaje flotante del mecanismo de CD .....	53
Discos .....	54
Accesorios incluidos .....	55
Web internacional de TEAC .....	55
Antes de su utilización .....	55
Mantenimiento .....	56
MQA (Master Quality Authenticated) .....	56
Uso del mando a distancia .....	56
Partes y funciones del mando a distancia .....	57
Partes y funciones de la unidad principal .....	58
Conexiones .....	60
Pantalla .....	63
Funcionamiento básico .....	64
Ajustes de configuración .....	68
Solución de problemas .....	71
Especificaciones .....	73

## Montaje flotante del mecanismo de CD

---

Con el fin de mejorar la calidad del audio, todo el mecanismo de CD emplea una estructura flotante, por lo que no está fijado al chasis de la unidad. El mecanismo entero, incluida la bandeja, puede moverse ligeramente hacia delante, hacia atrás, hacia la izquierda y hacia la derecha. Esto es a causa del diseño y no debe ser motivo de preocupación.

# Discos

## Tipos de discos que puede reproducir esta unidad

CD con el logotipo "COMPACT disc DIGITAL AUDIO"



Discos CD-R y CD-RW que hayan sido correctamente grabados y finalizados usando el formato de CD Audio.

Los CD de 8 cm no son compatibles.  
No se pueden utilizar adaptadores.

### PRECAUCIÓN

**Si intenta reproducir cualquier otro tipo de disco con esta unidad, puede originar ruidos a volumen alto capaces de causar daños a los altavoces o lesionar sus oídos. Nunca intente reproducir otros tipos de discos que no sean los mencionados anteriormente.**

- Es posible que esta unidad no pueda reproducir correctamente discos CD con control de copia, discos duales (DualDisc) u otros CD especiales que no cumplan con la normativa estándar del Libro Rojo del CD. Si se utilizan discos especiales en esta unidad, no se garantiza el funcionamiento ni la calidad del sonido. Si la reproducción de un disco especial le causa problemas, póngase en contacto con el vendedor del disco.

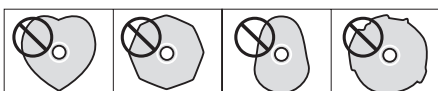
## Discos CD-R/CD-RW

Esta unidad puede reproducir discos CD-R/CD-RW que estén en formato de CD Audio (CD-DA).

- Asegúrese de finalizar los discos creados con grabadoras de CD.
- Dependiendo de la calidad del disco y de las condiciones de la grabación, es posible que algunos discos no puedan reproducirse. Para más información, consulte el manual de instrucciones del dispositivo que esté utilizando.
- Si tiene dudas sobre cómo utilizar un disco CD-R o CD-RW, póngase en contacto con el vendedor del disco directamente.

## Precauciones de uso

- No utilice discos rotos porque pueden estropear la unidad.
- Si escribe sobre el lado rotulado de un disco, utilice un rotulador de tinta permanente con punta de fieltro. Si usa un bolígrafo u otro objeto de escritura con punta dura, puede estropear el disco y convertirlo en irreproducible.
- Nunca utilice estabilizadores de CD de los que se venden en establecimientos comerciales. Si lo hace, puede estropear el disco o dañar la unidad.
- Nunca utilice discos con formas irregulares, como discos con forma de corazón u octogonales, porque pueden dañar la unidad.



- Si deja durante mucho tiempo en la unidad un disco CD-R/CD-RW que tenga una superficie con etiqueta imprimible, podría pegarse al interior y resultar extremadamente difícil su extracción, e incluso posiblemente causar una avería en la unidad. Extraiga siempre esos discos y guárdelos en su caja cuando no los utilice. Además, evite usar discos recién impresos porque son especialmente propensos a pegarse.

## Manejo de los discos

- Cargue siempre los discos con el lado rotulado hacia arriba.
- Maneje los discos con cuidado. Si el lado del disco que contiene los datos (el lado sin rotular) está rayado, tiene huellas o está sucio o empañado, pueden producirse errores de reproducción.
- Para sacar un disco de su caja, mientras presiona hacia abajo en el centro de la caja, sujete el disco por sus bordes.



Cómo sacar los discos



Cómo sujetar los discos

## Almacenamiento de los discos

- Los discos deben guardarse en su caja cuando no se estén utilizando. Si no lo hace, pueden deformarse y rayarse.
- No deje los discos en lugares expuestos a la luz del sol directamente o que sean muy húmedos o muy calurosos. Si lo hace, los discos pueden deformarse o deteriorarse, lo que los hace irreproducibles.
- Los discos CD-R y CD-RW son más susceptibles a los efectos del calor y de los rayos ultravioletas que los discos CD ordinarios. Por este motivo, no los deje durante mucho tiempo en lugares que estén expuestos a la luz del sol directamente ni cerca de dispositivos que generen calor, por ejemplo.
- Limpie los discos siempre antes de guardarlos. Si un disco se deja sucio, puede saltar al reproducirse o degradarse su calidad de sonido.

## Mantenimiento

- Si el lado del disco que contiene los datos grabados (el lado sin rotular) se ensucia con huellas o polvo, utilice un paño suave para limpiar la superficie, limpiando desde el centro hacia los bordes.



- Nunca utilice limpiadores de discos, tratamientos antiestáticos, disolventes o productos químicos similares para limpiar los discos. Tales productos químicos pueden dañar la superficie del disco.

## Accesorios incluidos

Compruebe que todos los accesorios enumerados a continuación están incluidos en la caja. Por favor, póngase en contacto con el establecimiento donde adquirió esta unidad en caso de que alguno de estos accesorios falte o haya sufrido desperfectos durante el transporte.

**Cable de corriente × 1**

**Mando a distancia (RC-1338) × 1**

**Pilas para el mando a distancia (AAA) × 2**

**Almohadillas para las patas × 3**

**Manual del usuario (este documento, incluida la garantía) × 1**

- Los usuarios que vivan en EE. UU. y Canadá encontrarán información sobre la garantía en las páginas 74–75 y en la contraportada (documento de garantía). Los usuarios que vivan en Europa y otras áreas deben consultar la página 75.

## Web internacional de TEAC

Las actualizaciones correspondientes a esta unidad se pueden descargar desde la web internacional de TEAC:

<https://teac.jp/int/>

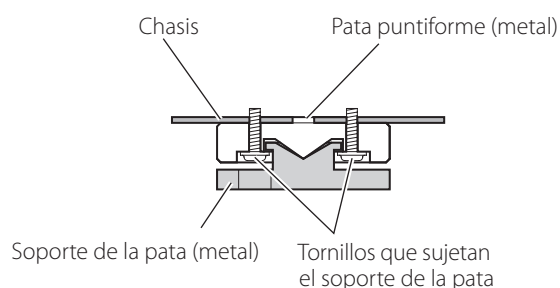
Haga clic en "LANGUAGE" en la parte superior derecha de la pantalla y seleccione el idioma que desee para acceder a la página en el idioma correspondiente.

## Antes de su utilización

- Este equipo pesa mucho, por lo que deberá tener cuidado para evitar lesionarse al abrir el embalaje y al moverlo.
- Las partes con forma de asa en los lados izquierdo y derecho del panel frontal son decorativas. No meta los dedos a través de ellas ni las use para transportar la unidad.
- No instale esta unidad donde pueda calentarse. Esto incluye lugares que estén expuestos a la luz solar directamente o cercanos a un radiador, calefactor, estufa o cualquier otro aparato de calefacción. Tampoco coloque esta unidad encima de un amplificador u otro equipo que genere calor. Si lo hace, esta unidad podría decolorarse, deformarse o sufrir una avería.
- Evite lugares que estén sujetos a vibraciones o expuestos a excesivo polvo, frío o humedad.
- Para permitir una buena disipación del calor, deje un poco de espacio (al menos 3 cm o 1 pulgada) entre esta unidad y las paredes u otros dispositivos cuando la instale. Si la coloca en un rack, por ejemplo, deje libres al menos 5 cm (2 pulgadas) por encima de la unidad y 10 cm (4 pulgadas) por detrás. Si no deja estos espacios libres, el calor puede acumularse en su interior y provocar fuego.
- Coloque la unidad en un lugar estable.
- No coloque nada encima de esta unidad.
- No levante ni mueva la unidad durante la reproducción, porque el disco gira a alta velocidad y puede dañarse.
- Antes de mover esta unidad o embalarla para instalarla en otro sitio, por ejemplo, quite siempre cualquier disco que esté cargado. Si mueve la unidad con un disco dentro, puede dañarse.
- El voltaje suministrado a la unidad deberá ser el mismo que está impreso en el panel posterior de la misma. Si tiene dudas al respecto, consulte a un electricista.
- No abra la carcasa de la unidad porque podría causar daños en los circuitos o una descarga eléctrica. En caso de que se introduzca un objeto extraño en la unidad, contacte con su distribuidor.
- Cuando desenchufe el cable de corriente de la toma de electricidad, tire siempre directamente del conector, nunca tire del cable.

### Nota sobre las patas puntiformes

Esta unidad tiene unas patas puntiformes metálicas de alta precisión que están sujetas a la placa inferior. Las patas puntiformes y sus soportes están sueltos, pero cuando se coloca la unidad sobre una superficie, son estas patas puntiformes las que soportan la unidad, dispersando de manera efectiva las vibraciones.



- Las almohadillas para las patas tienen la función de proteger la superficie sobre la que se sitúa la unidad. Colóquelas en la parte inferior de los soportes de las patas para evitar rayar la superficie sobre la que se sitúa la unidad.

## Mantenimiento

Limpie la cubierta y los demás paneles con un paño suave ligeramente humedecido con un líquido limpiador neutro diluido.

No utilice gamuzas ni paños impregnados con productos químicos, ni disolvente u otras sustancias químicas, ya que pueden dañar la superficie de la unidad.

**⚠ Por seguridad, desenchufe el cable de corriente de la toma de electricidad antes de proceder a la limpieza.**

## MQA (Master Quality Authenticated)

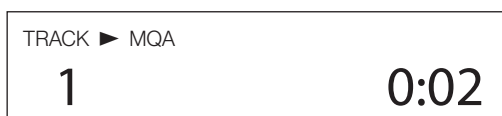
MQA es una galardonada tecnología británica que proporciona el sonido de la grabación máster original. El archivo MQA máster está totalmente certificado y es lo suficientemente pequeño como para transmitirse por secuencias (streaming) o descargarse.

Encontrará más información en [mqa.co.uk](http://mqa.co.uk).

El VRDS-701T es compatible con MQA, lo que permite la decodificación básica ("core") de discos MQA-CD para proporcionar el sonido de las grabaciones máster originales.

"MQA" o "MQA." indica que el producto está decodificando un disco MQA-CD, y denota la procedencia para garantizar que el sonido es idéntico al del material de origen. "MQA." indica que está reproduciendo un archivo MQA Studio que, o bien ha sido aprobado en el estudio por el artista/productor, o bien ha sido verificado por el propietario de los derechos.

### Ejemplo de pantalla durante la reproducción MQA



## Uso del mando a distancia

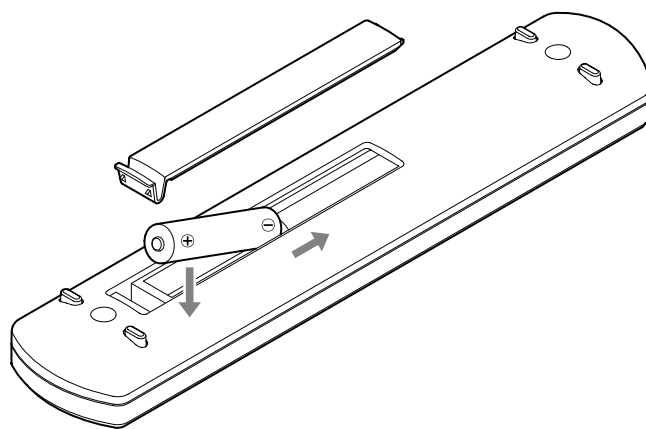
### Precauciones de uso

**⚠ Un mal uso de la pila podría hacer que se rompan o se sulfaten (pierdan líquido), lo que podría originar fuego, lesiones o la oxidación de materiales cercanos. Por favor, lea y observe las instrucciones de las precauciones de la página 51 con atención.**

- Cuando utilice el mando a distancia, apunte con él hacia el receptor de la señal del mando a distancia que hay en la unidad principal a una distancia de 5 m (16 pies) o menos. No coloque obstáculos entre la unidad principal y el mando a distancia.
- El mando a distancia podría no funcionar si el receptor de la señal del mando a distancia de esta unidad está expuesto a la luz solar directamente o a una luz intensa. Si esto ocurre, pruebe a mover la unidad.
- Tenga cuidado, ya que el uso de este mando a distancia podría causar el funcionamiento involuntario de otros dispositivos que puedan ser controlados por rayos infrarrojos.

### Instalación de las pilas

Quite la tapa de la parte posterior del mando a distancia e introduzca dos pilas AAA con sus polos  $\oplus/\ominus$  orientados como se muestra en el compartimento. Vuelva a colocar la tapa.



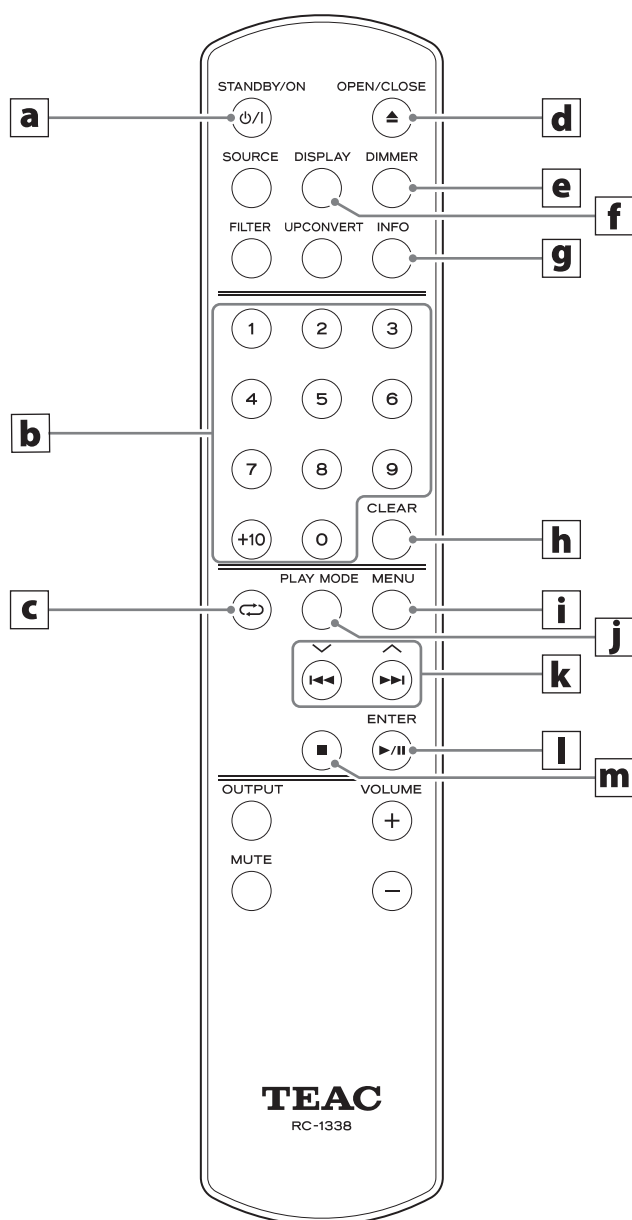
### Cuándo sustituir las pilas

Si la distancia requerida entre el mando a distancia y la unidad principal disminuye o si la unidad principal deja de responder a los botones del mando a distancia, cambie ambas pilas por otras nuevas.

Deshágase de las pilas usadas según las instrucciones que figuren en las mismas o los requisitos establecidos por las autoridades locales.



# Partes y funciones del mando a distancia



Cuando tanto la unidad principal como el mando a distancia tengan botones con las mismas funciones, en este manual solo explicaremos cómo se utiliza uno de ellos. No obstante, el otro también se puede utilizar de la misma manera.

## **a** Botón STANDBY/ON

Púlselo para poner la unidad en modo de reposo o encenderla.

## **b** Botones numéricos

Se utilizan para seleccionar y programar pistas, por ejemplo.

## **c** Botón de repetición (↺)

Se utiliza para cambiar el ajuste de reproducción repetida (página 65).

## **d** Botón de apertura/cierre de la bandeja OPEN/CLOSE (▲)

Púlselo para abrir y cerrar la bandeja de disco.

## **e** Botón DIMMER

Púlselo para ajustar la intensidad de iluminación de la pantalla de la unidad principal.

## **f** Botón DISPLAY

## **g** Botón INFO

Púlselo para mostrar información sobre el formato de reproducción (página 63).

## **h** Botón CLEAR

Se utiliza para borrar las pistas programadas.

## **i** Botón MENU

Púlselo para acceder al modo de configuración (página 68). Púlselo cuando esté en el modo de configuración para volver a la pantalla anterior.

## **j** Botón PLAY MODE

Púlselo para cambiar entre los modos de reproducción programada y aleatoria.

## **k** Botones de salto (◀◀, ▶▶) y botones arriba/abajo (^/∨)

Se utilizan para saltar a la pista anterior o siguiente. Pulse y mantenga pulsados estos botones durante la reproducción para buscar hacia atrás/hacia delante.

### Cuando esté abierta la pantalla de menú

Estos botones se utilizan para seleccionar los valores de los ajustes.

## **l** Botón de reproducción/pausa (▶/||) y botón ENTER

Púlselo con la reproducción parada o en pausa para comenzar o reanudar la reproducción.

Púlselo durante la reproducción para ponerla en pausa.

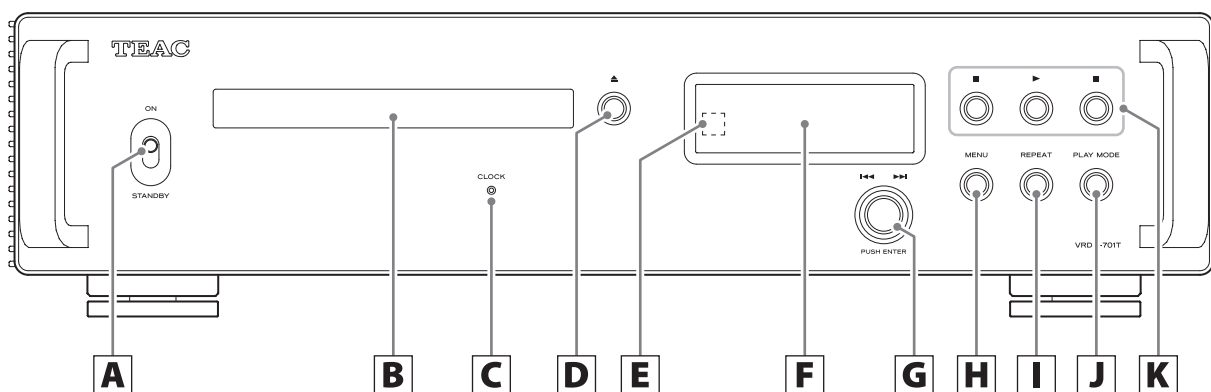
### Cuando esté abierta la pantalla de menú

Púlselo para comenzar o confirmar la selección de los valores de los ajustes.

## **m** Botón de parada (■)

Púlselo durante la reproducción para pararla.

# Partes y funciones de la unidad principal



## **A** Interruptor STANDBY/ON

Púlselo para poner la unidad en modo de reposo (STANDBY) o encenderla (ON).

- Si la pantalla está apagada, incluso aunque el interruptor STANDBY/ON esté en "ON", la causa es normalmente una de las siguientes:
  - La unidad está encendida, pero DIMMER (intensidad de iluminación de la pantalla) está ajustado en "AUTO OFF" (página 69).
  - La función de ahorro de energía automático se ha activado y ha puesto la unidad en reposo (página 70).
  - El cable de corriente está desconectado.
  - La unidad está en reposo debido a la función de disparador (página 62).

Para encender la unidad en caso de que se haya activado la función de ahorro de energía automático y haya puesto la unidad en reposo, pulse el botón STANDBY/ON del mando a distancia o ponga el interruptor STANDBY/ON en "STANDBY" una vez y después vuelva a ponerlo en "ON".

## **B** Bandeja de disco

Aquí se carga el disco que se va a utilizar.

## **C** Indicador CLOCK

Muestra el estado de la sincronización de reloj.

Iluminado: La unidad está sincronizada en ese momento con el reloj introducido por el terminal de entrada de sincronización de reloj CLOCK 10MHz IN.

Parpadeando: No se está introduciendo reloj o la unidad está intentando sincronizarse con la señal de reloj.

Apagado: No se está utilizando reloj externo.

- Consulte en la página 69 los ajustes de sincronización de reloj.

## **D** Botón de apertura/cierre de la bandeja (▲)

Púlselo para abrir y cerrar la bandeja de disco.

## **E** Receptor de señales del mando a distancia

Recibe las señales del mando a distancia. Cuando utilice el mando a distancia, apunte con él hacia este receptor de señales del mando a distancia.

## **F** Pantalla

Esta pantalla muestra información sobre la reproducción de audio y las pantallas de menú.

## **G** Mando de salto (◀◀/▶▶)

Utilícelo para saltar a la pista anterior o siguiente.

### **Cuando esté abierta la pantalla de menú**

Se utiliza para seleccionar los valores de los ajustes.

Púlselo para comenzar o confirmar la selección de los valores de los ajustes.

## **H** Botón MENU

Púlselo para acceder al modo de configuración (página 68).

Púlselo cuando esté en el modo de configuración para volver a la pantalla anterior.

## **I** Botón REPEAT (↻)

Se utiliza para cambiar el ajuste de reproducción repetida (página 65).

## **J** Botón PLAY MODE

Utilícelo para cambiar entre los modos de reproducción normal, desordenada/aleatoria y programada.

## **K** Botones de control de la reproducción

Botón de parada (■)

Púlselo para parar la reproducción.

Botón de reproducción (▶)

Púlselo cuando la reproducción esté parada o en pausa para comenzar la reproducción.

Botón de pausa (||)

Púlselo durante la reproducción para ponerla en pausa.

---

## **Función de ahorro de energía automático**

Esta unidad tiene una función de ahorro de energía automático (página 70).

El ajuste predeterminado es "ON" (activada).

La unidad entrará automáticamente en modo de reposo (standby) si no se emite audio ni se realiza ninguna operación durante aproximadamente 30 minutos.

Para desactivar la función de ahorro de energía automático, ajústela en "OFF" (página 70).

## **Intensidad de iluminación de la pantalla**

La intensidad de iluminación de la pantalla de la unidad se puede ajustar (página 69).

El ajuste predeterminado es "Slightly BRIGHT" (permanece iluminada tenuemente).

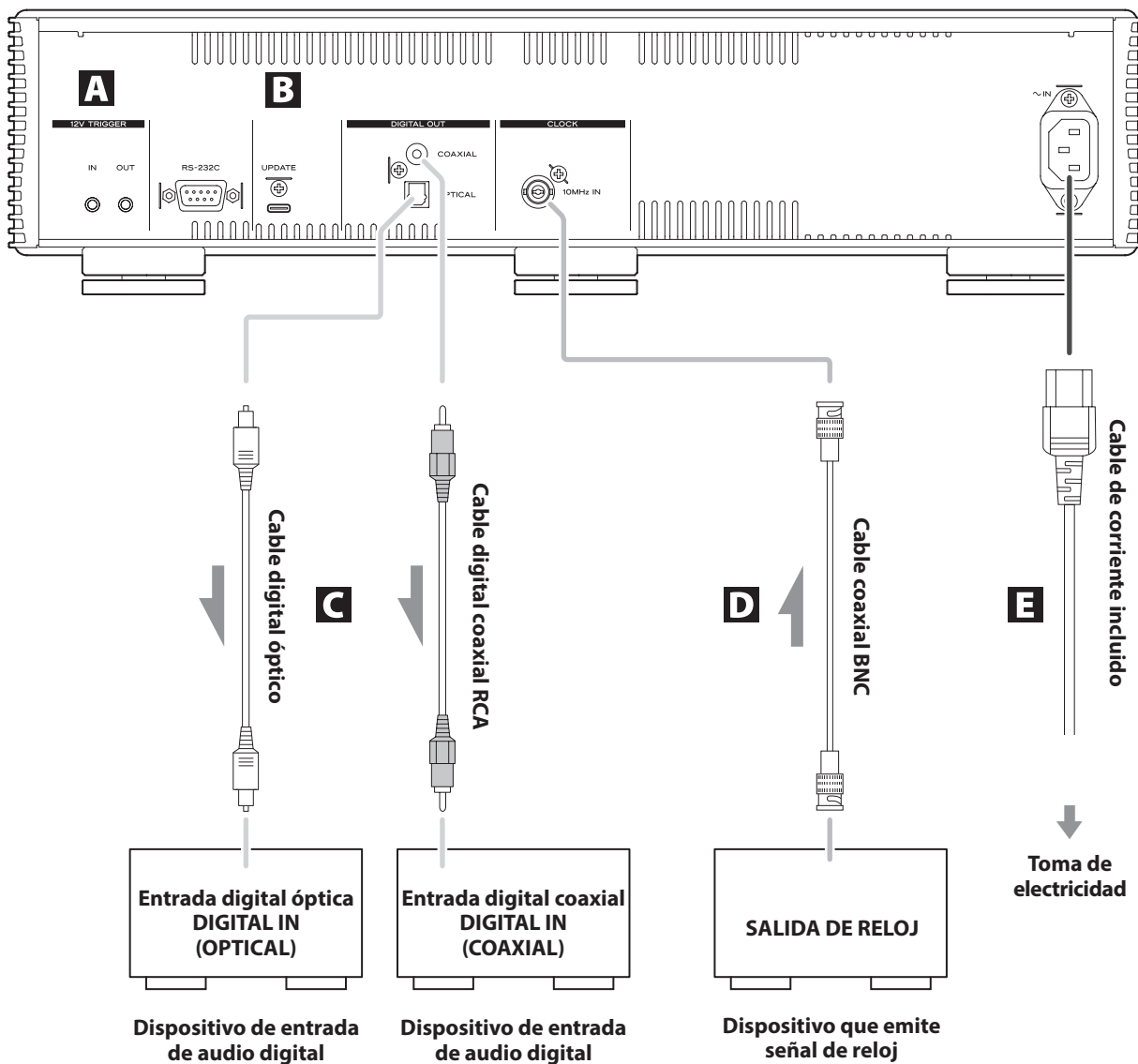
Si se ajusta en "AUTO OFF" (apagado automático de la iluminación), la pantalla se apagará cuando no se realicen operaciones.

- NO DISC (no hay disco) y otros avisos permanecerán iluminados.

# Conexiones

**⚠ No conecte el cable de corriente a una toma de electricidad hasta que haya terminado todas las conexiones.**

- Lea las instrucciones de cada uno de los dispositivos que vaya a utilizar con esta unidad.
- No agrupe los cables de las conexiones con los cables de corriente. Si lo hace, puede originarse ruido.
- Inserte todos los conectores hasta el fondo.



## **A** Terminales 12V TRIGGER

Se utilizan para controlar la alimentación desde una fuente externa.

No conecte nada a estos terminales cuando no se estén utilizando (página 62).

**Utilice cables con minijacks mono de los disponibles en establecimientos comerciales para las conexiones.**

## **B** Puerto UPDATE (mantenimiento)

Se utiliza para mantenimiento. No conecte nada a este puerto a menos que reciba instrucciones para hacerlo por parte de nuestro servicio técnico.

## **C** Terminales de salida de audio digital coaxiales/ópticos (COAXIAL/OPTICAL)

Se utilizan para emitir audio digital. Conecte aquí los terminales de entrada de audio digital de dispositivos de audio.

**Utilice cables digitales coaxiales RCA o cables digitales ópticos rectangulares de los disponibles en establecimientos comerciales para la conexión.**

## **D** Terminal de entrada de sincronización de reloj CLOCK 10MHz IN


Este terminal se utiliza para introducir señales de sincronización de reloj de 10 MHz (página 73).


**Utilice un cable coaxial BNC de los disponibles en establecimientos comerciales para la conexión.**

## **E** Entrada para el cable de corriente (~IN)

Aquí se conecta el cable de corriente suministrado.

**No conecte el cable de corriente a una toma de electricidad hasta que haya terminado todas las demás conexiones.**

 **No utilice ningún otro cable de corriente que no sea el incluido con esta unidad. El uso de otros cables de corriente puede provocar fuego o descargas eléctricas.**

 **Desenchufe el cable de corriente de la toma de electricidad si no va a utilizar la unidad durante un largo periodo de tiempo.**

## Conexiones (continuación)

### Sincronización de dispositivos externos con operaciones de alimentación de esta unidad (función de disparador)

La alimentación de un convertidor D/A u otro dispositivo conectado que admita funciones de disparador puede sincronizarse con las operaciones de alimentación de esta unidad.

Utilice cables con minijacks mono de los disponibles en establecimientos comerciales para las conexiones.

#### Terminales 12V TRIGGER

##### OUT

Cuando esta unidad está encendida, emite 12 V.

Si conecta el terminal TRIGGER OUT de esta unidad a una etapa de potencia, un subwoofer u otro dispositivo que admita entrada de disparador, la alimentación de dicho dispositivo se puede sincronizar con las operaciones de alimentación de esta unidad.

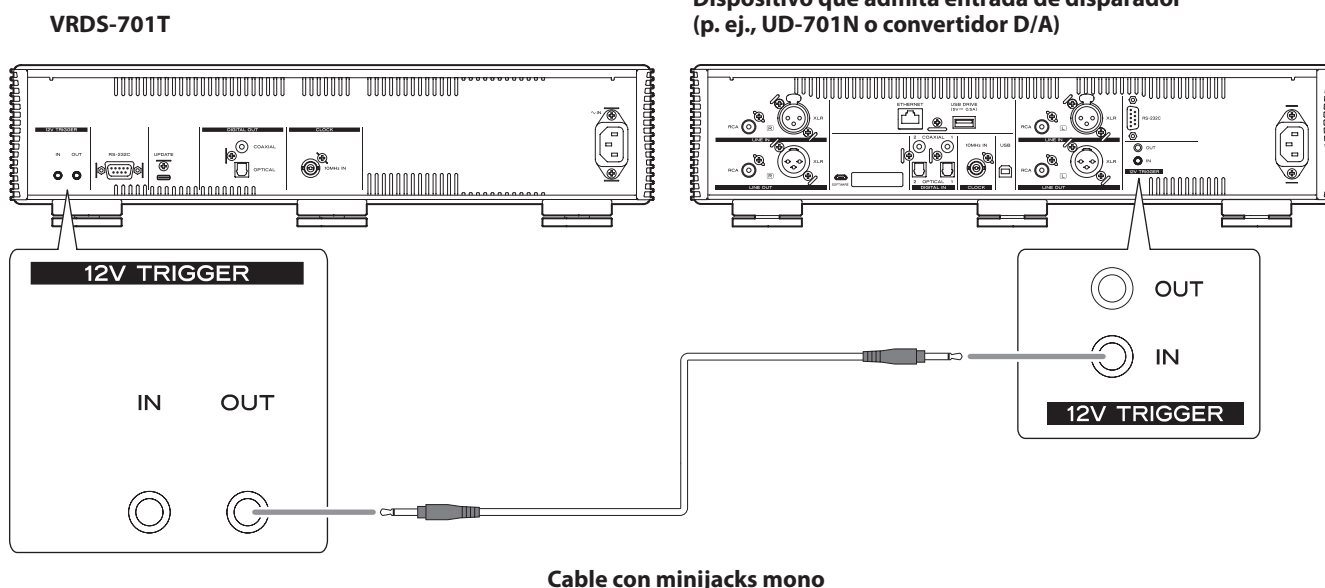
##### IN

Conecte este terminal al terminal de salida de disparador (trigger output) de un preamplificador u otro dispositivo.

Esto hará que el funcionamiento de la alimentación de dicho preamplificador o dispositivo controle a esta unidad poniéndola en reposo (standby) o encendiéndola (on).

#### ATENCIÓN

- Para utilizar la función de entrada de disparador, ajuste el interruptor STANDBY/ON de esta unidad en "ON".
- Cuando conecte tanto la entrada (IN) como la salida (OUT), tenga cuidado de no causar un bucle de disparador en todo el sistema.



Cable con minijacks mono

**Al encender**



Después de que aparezca la pantalla de arriba, se mostrará el estado.

**Cuando no hay disco disponible**



**Ejemplo de pantalla: reproducción parada**



Número total de pistas del disco      Tiempo total de reproducción (minutos:segundos)

Cuando un disco se esté reproduciendo o esté en pausa, pulse el botón DISPLAY para cambiar la pantalla como sigue:

**Ejemplo de pantalla: reproduciendo**



Número de pista en reproducción      Tiempo transcurrido de la pista en reproducción (minutos:segundos)



Número de pista en reproducción      Tiempo que queda de la pista en reproducción (minutos:segundos)

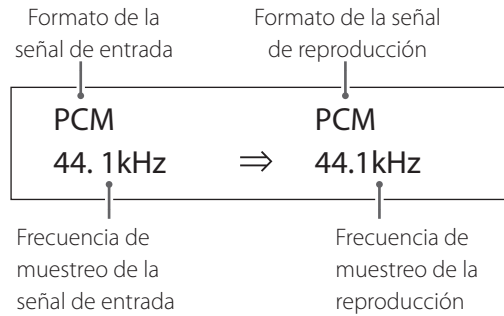


Número de pista en reproducción      Tiempo que queda del disco (minutos:segundos)

**Pantalla de información del formato de reproducción**

Pulse el botón INFO del mando a distancia durante la reproducción para mostrar la información del formato de reproducción.

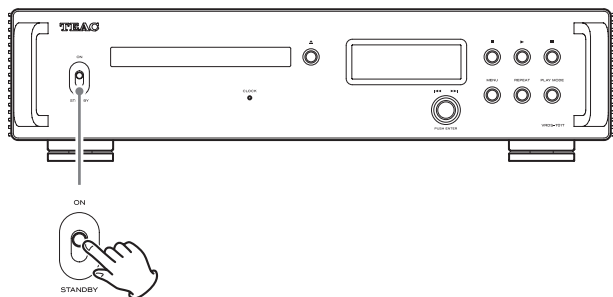
- Las pantallas de señal de entrada y de señal de reproducción serán las mismas cuando el ajuste de MQA sea "OFF".



ES

# Funcionamiento básico

- 1** Mueva el interruptor STANDBY/ON a su posición "ON" para encender la unidad.

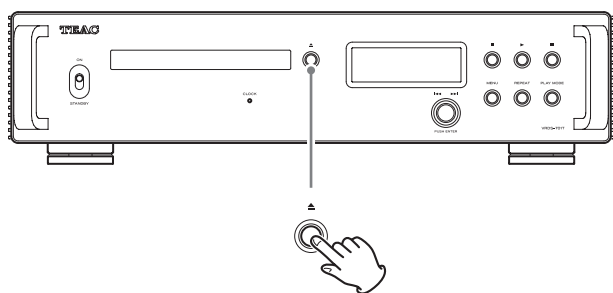


- Si hay un amplificador estéreo conectado a esta unidad, enciéndalo siempre el último.

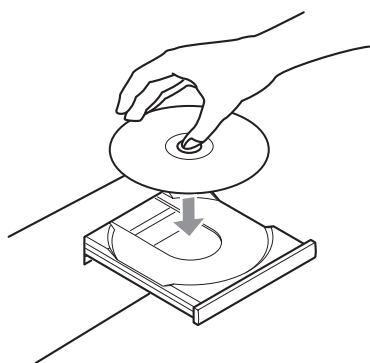
- 2** Ponga el volumen al mínimo.

Ponga el volumen al mínimo en los dispositivos que utilice para controlar el volumen (por ejemplo, un amplificador estéreo).

- 3** Pulse el botón de apertura/cierre de la bandeja (▲).

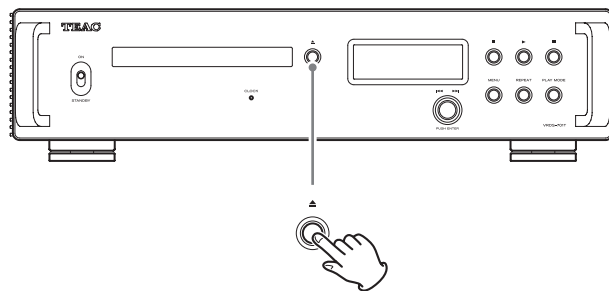


- 4** Coloque un disco en la bandeja con el lado rotulado hacia arriba.



- No ponga más de un disco a la vez en la bandeja.
- Si la bandeja se cierra mientras el disco se encuentra fuera de las guías centrales, el disco podría quedar atascado en el interior y la bandeja podría no volver a abrirse. Asegúrese de colocar siempre los discos dentro de las guías en el centro de la bandeja.
- Cuando la bandeja esté abriéndose o cerrándose, no la fuerce manualmente.

- 5** Pulse el botón de apertura/cierre de la bandeja (▲) para cerrarla.



## ! PRECAUCIÓN

Tenga cuidado de que la bandeja no le pille los dedos al cerrarse.

"READING" (leyendo) aparecerá en la pantalla y la unidad empezará a cargar el disco.

- La unidad tarda un poco en cargar el disco. Espere hasta que el número total de pistas y el tiempo total de reproducción aparezcan en la pantalla. Cuando la carga se complete, la pantalla se mostrará como sigue:

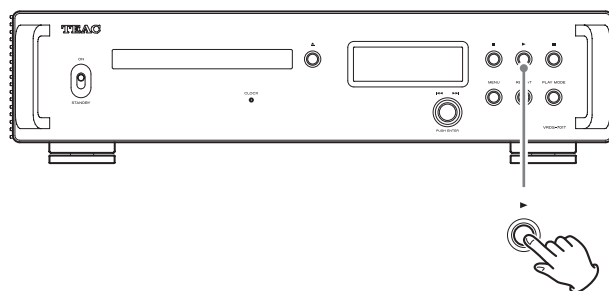
### Ejemplo de pantalla



Número total de pistas del disco      Tiempo total de reproducción (minutos:segundos)

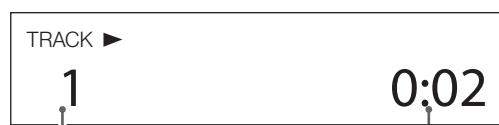
- Cuando POWER ON PLAY esté ajustado en "ON", la reproducción comenzará inmediatamente después de que se encienda la unidad (página 70).
- "NO DISC" aparecerá si no hay ningún disco cargado.
- "No support" (no compatible) aparecerá si hay cargado un disco que no se puede reproducir.

- 6** Pulse el botón de reproducción (▶).



La reproducción comenzará desde la primera pista.

### Ejemplo de pantalla



Número de pista en reproducción      Tiempo transcurrido de la pista en reproducción (minutos:segundos)



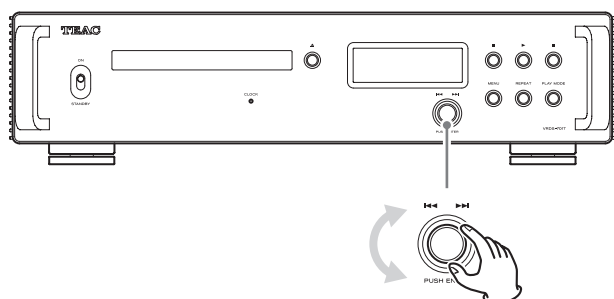
## 7 Ajuste el volumen.

Ajuste el volumen en los dispositivos que utilice para controlar el volumen (por ejemplo, un amplificador estéreo).

### NOTA

- La función de ahorro de energía automático está activada (ON) cuando la unidad sale de fábrica (página 70).
- Cuando DIMMER (intensidad de iluminación de la pantalla) esté ajustado en "AUTO OFF", la pantalla se apagará cuando no se realicen operaciones (página 69).

## Saltar para buscar una pista



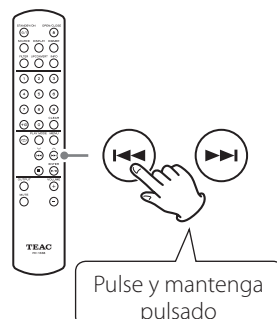
Gire el mando de salto (I◀◀/▶▶I). Utilícelo para saltar a la pista anterior o siguiente. Siga girando hasta que se seleccione la pista deseada.

Después de seleccionar una pista, empezará su reproducción desde el principio.

- Durante la reproducción, gire un clic el mando de salto I◀◀ para volver al principio de la pista actual. Gire el mando de salto I◀◀ continuamente para seleccionar y reproducir pistas con numeración inferior.

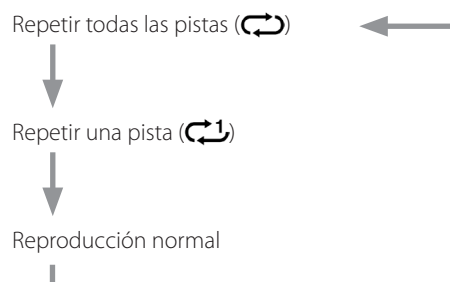
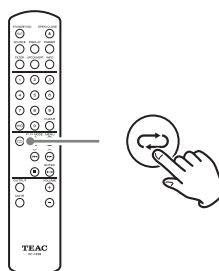
## Buscar una parte de una pista

Durante la reproducción, pulse y mantenga pulsado uno de los botones de salto (I◀◀/▶▶I) del mando a distancia para buscar hacia atrás/hacia delante. Suelte el botón de salto (I◀◀/▶▶I) cuando encuentre la parte que desee escuchar.




## Reproducción repetida

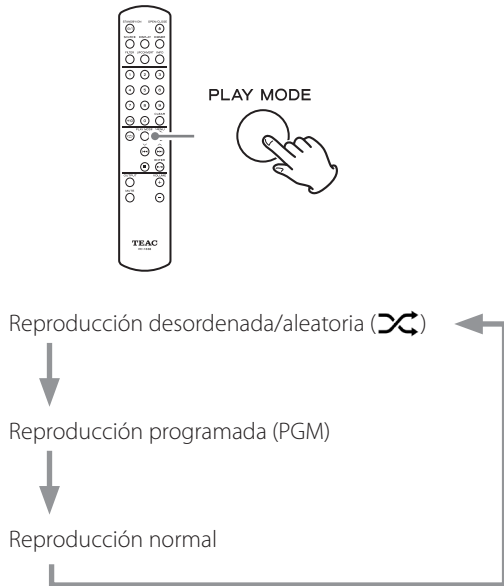
Pulse el botón de repetición (↺) para recorrer cíclicamente los modos de repetición como sigue:



# Funcionamiento básico (continuación)

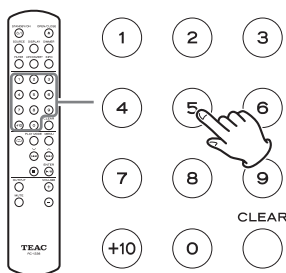
## Reproducción desordenada ("shuffle") y aleatoria ("random")

Para cambiar a reproducción desordenada/aleatoria, pulse el botón PLAY MODE repetidamente hasta que  aparezca en la parte superior derecha de la pantalla. Tendrá lugar la reproducción desordenada o aleatoria dependiendo del ajuste (página 70).



- La reproducción aleatoria no parará hasta que se pulse el botón de parada (■).
- Cuando la reproducción aleatoria está activa, el ajuste de reproducción repetida no tiene ningún efecto.

## Utilización de los botones numéricos para seleccionar una pista para su reproducción

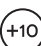

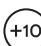

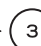


Con la reproducción en marcha o parada, pulse los botones numéricos para seleccionar una pista por su número y comenzar la reproducción desde dicha pista.

Para reproducir un número de pista de un solo dígito, pulse el botón numérico correspondiente. Para reproducir un número de pista de dos dígitos, pulse el botón +10 tantas veces como sea necesario y luego pulse el botón numérico correspondiente al segundo dígito. La reproducción comenzará después de introducir el número de pista.

Ejemplos de operación

Pista 7: 

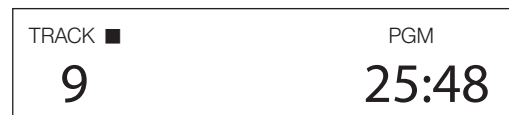
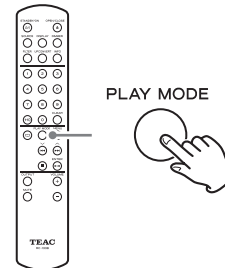
Pista 23:     

## Reproducción programada

La reproducción programada solo es posible con discos de CD Audio.

### Utilización de la reproducción programada

- 1** Pulse el botón PLAY MODE repetidamente hasta que aparezca PGM en la parte superior derecha de la pantalla.



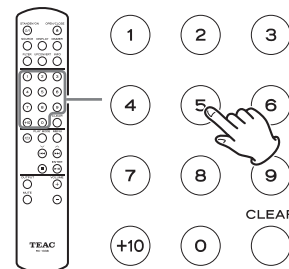
- Si se selecciona PGM durante la reproducción, la pista en reproducción se añadirá como paso 1 del programa.

### NOTA

La programación es posible incluso con la bandeja abierta. En ese caso, se pueden programar los números de pista 1 a 99. Sin embargo, después de que se haya cargado un CD, los números de pista que no estén en el CD serán eliminados.

- 2** Utilice los botones numéricos para introducir números de pistas.

En "Utilización de los botones numéricos para seleccionar una pista para su reproducción", encontrará instrucciones sobre cómo introducir números de pistas.



### Ejemplo de pantalla



**3** Continúe para introducir los números correspondientes a las pistas que desee programar.

**4** Pulse el botón de reproducción/pausa (▶/||) del mando a distancia o el botón de reproducción (▶) de la unidad para comenzar la reproducción programada.

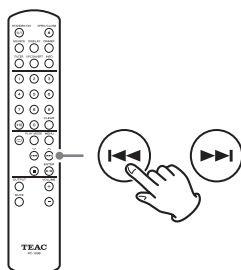
- Las funciones de salto, búsqueda y reproducción repetida se pueden utilizar durante la reproducción programada.

**NOTA**

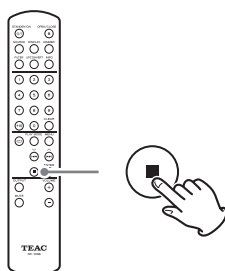
Cuando "PGM" aparezca en la parte superior derecha de la pantalla, lo que ocurra al utilizar los botones numéricos para introducir números de pistas dependerá del ajuste de PROGRAM PLAY (reproducción programada) (página 70).

### Comprobación del orden del programa

Pulse los botones de salto (◀◀/▶▶) cuando la reproducción esté parada para cambiar el paso de programa mostrado, lo que permite comprobar el orden del programa.



Pulse el botón de parada (■) cuando haya terminado la comprobación.



### Cambiar las pistas programadas

Si se pulsan los botones de salto (◀◀/▶▶) con la reproducción parada, el paso de programa parpadeará para mostrar que el modo de edición de programa está activo.

Pulse el botón de parada (■) para salir del modo de edición de programa.

#### Insertar pistas

**1** Utilice los botones de salto (◀◀/▶▶) cuando la reproducción esté parada para mostrar el paso de programa donde desee insertar una pista.

##### Ejemplo de pantalla



El paso de programa parpadea

**2** Utilice los botones numéricos para introducir números de pistas.

##### Ejemplo de pantalla



- En este ejemplo, el número de pista 6 ha sido añadido en el paso de programa 3. Las pistas situadas en todos los pasos de programa siguientes serán desplazadas a pasos posteriores.
- Continúe introduciendo números de pistas para insertar múltiples pistas.

**3** Pulse el botón de parada (■) para terminar la edición.

## Funcionamiento básico (cont.)

### Borrar pistas seleccionadas

- 1 Utilice los botones de salto (◀◀/▶▶) cuando la reproducción esté parada para mostrar el paso de programa con la pista que desee borrar.

#### Ejemplo de pantalla



Paso de programa

- 2 Pulse el botón CLEAR para eliminar la pista del programa.

#### Ejemplo de pantalla



Paso de programa

- En este ejemplo, el número de pista 6 ha sido borrado del paso de programa 2, trayendo hacia delante las pistas del paso 3 y posteriores.

- 3 Pulse el botón de parada (■) para terminar la edición.

#### NOTA

Si pulsa el botón CLEAR con la reproducción parada, se borrará la pista del último paso añadido al programa.

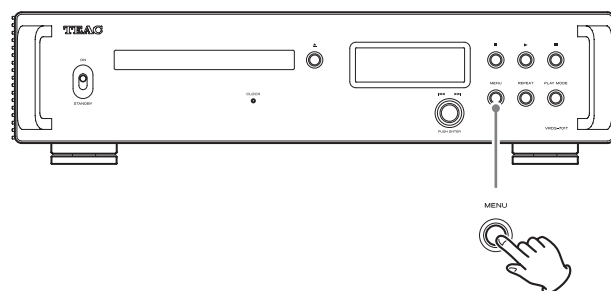
### Borrar el programa entero

Haga cualquiera de las siguientes acciones para borrar el programa:

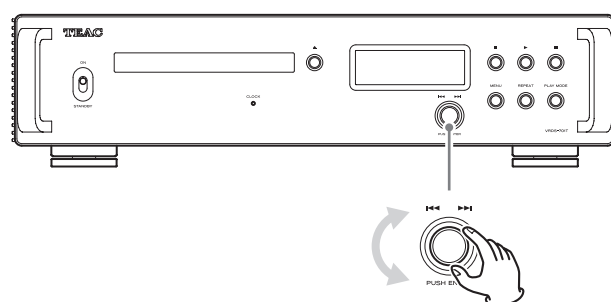
- Pulsar el botón PLAY MODE para que "PGM" desaparezca de la parte superior derecha de la pantalla.
- Expulsar el disco.

## Ajustes de configuración

- 1 Pulse el botón MENU para abrir la pantalla de menú.

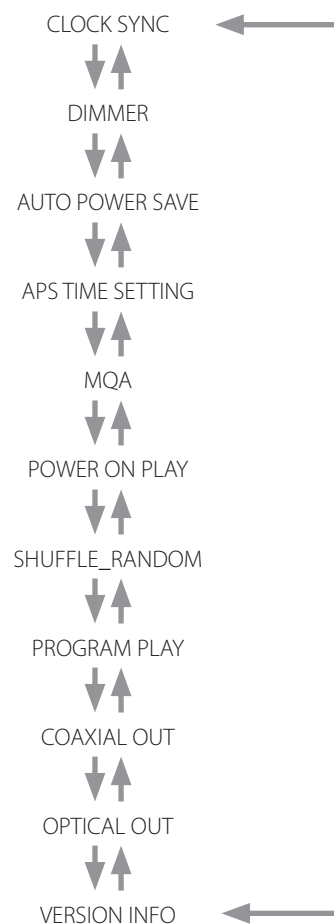


- 2 Gire el mando de salto (◀◀/▶▶) para mostrar el apartado que desee configurar.

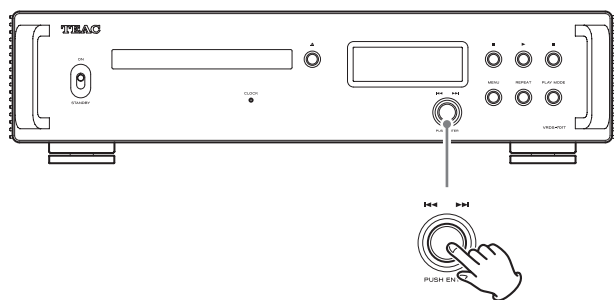


- También puede utilizar los botones arriba/abajo (∧, ∨) del mando a distancia.

Los apartados del menú aparecen en el orden siguiente:

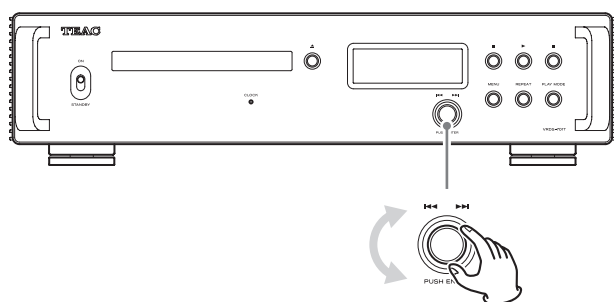


### 3 Pulse el mando de salto (|◀◀/▶▶|).



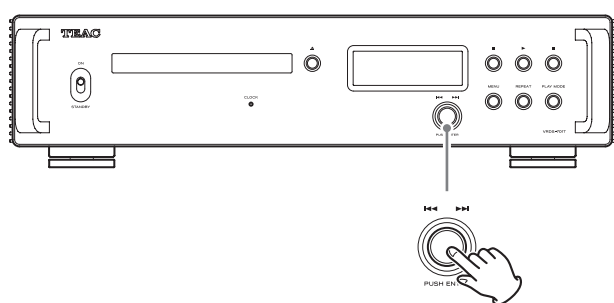
- También puede pulsar el botón ENTER del mando a distancia.
- El valor establecido en ese momento se mostrará en la pantalla.

### 4 Gire el mando de salto (|◀◀/▶▶|) para cambiar los valores de los ajustes.



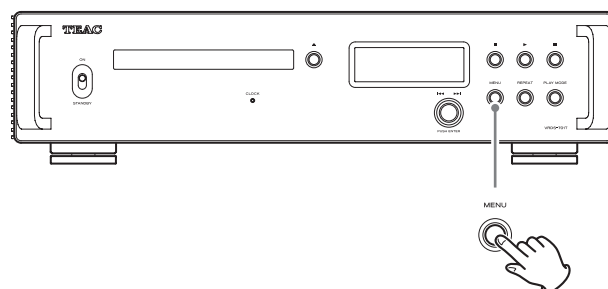
- También puede utilizar los botones arriba/abajo (∧, ∨) del mando a distancia.
- Pulse el botón MENU para volver a la selección de apartados de configuración.

### 5 Pulse el mando de salto (|◀◀/▶▶|).



- También puede pulsar el botón ENTER del mando a distancia.

### 6 Cuando haya terminado de cambiar los ajustes, pulse el botón MENU para mostrar otra vez el estado.



- Si no hace nada durante aproximadamente siete segundos, la pantalla volverá a mostrar el estado.

## Sincronización de reloj



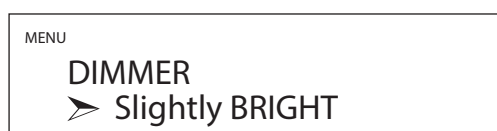
### OFF (por defecto)

No se utiliza sincronización de reloj.

### ON

El reloj maestro de esta unidad se sincronizará al reloj de 10 MHz introducido a través del terminal de entrada de sincronización de reloj (CLOCK 10MHz IN).

## Intensidad de iluminación de la pantalla



### BRIGHT

Permanece iluminada intensamente.

### Slightly BRIGHT (por defecto)

Permanece iluminada tenuemente.

### DARK

Permanece oscura.

### AUTO OFF

Se apaga automáticamente.

- La pantalla se apaga cuando no se realizan operaciones.

### NOTA

El ajuste se puede realizar directamente con el botón DIMMER del mando a distancia.

# Ajustes de configuración (continuación)

## Función de ahorro de energía automático

Esta unidad tiene una función de ahorro de energía automático.

- La función de ahorro de energía automático está activada (ON) cuando la unidad sale de fábrica.



### OFF

La función de ahorro de energía automático está desactivada.

### ON (por defecto)

La unidad entrará automáticamente en modo de reposo (standby) si no se emite audio ni se realiza ninguna operación durante aproximadamente 30 minutos.

- Se puede utilizar el ajuste de tiempo de la función de ahorro de energía automático para cambiar la cantidad de tiempo que debe transcurrir hasta que la unidad entre en modo de reposo.

## Ajuste de tiempo de la función de ahorro de energía automático

Aquí se ajusta la cantidad de tiempo que debe transcurrir hasta que la unidad entre en modo de reposo.



Se puede establecer en un rango que va desde 1 a 255 minutos en incrementos de 1 minuto (el ajuste predeterminado es 30 minutos).

## MQA

Aquí se ajusta la función de decodificación MQA.



### OFF (por defecto)

No se utilizará decodificación MQA.

### ON

Solo se llevará a cabo la decodificación básica ("core"). La salida será al doble de la frecuencia de muestreo (88,2 kHz).

## Función de reproducción al encender la alimentación

La reproducción puede comenzar automáticamente al encender la unidad.



### OFF (por defecto)

La reproducción no comenzará automáticamente al encender la unidad.

### ON

La reproducción comenzará automáticamente al encender la unidad.

## Reproducción desordenada ("shuffle") y aleatoria ("random")

Se pueden seleccionar modos de reproducción desordenada y aleatoria.



### SHUFFLE PLAY (por defecto)

En este modo, cada pista del disco se reproduce una vez.

- A menos que también se haya seleccionado la función de repetición, la reproducción se detendrá después de que se hayan reproducido todas las pistas del disco.

### RANDOM PLAY

En este modo, las pistas del disco se reproducen aleatoriamente.

- Independientemente de cuál sea el ajuste de la función de repetición, la reproducción no parará hasta que se pulse el botón de parada (■).

## Comportamiento de la introducción de pistas en la reproducción programada

Aquí se establece qué ocurre cuando se utilizan los botones numéricos durante la reproducción programada.



### PLAY LATER (por defecto)

El número de pista introducido se añade al final del programa. La pista que se está reproduciendo continúa reproduciéndose.

### PLAY NOW

El número de pista introducido se añade al final del programa y comienza a reproducirse inmediatamente.

## Salida digital coaxial

Aquí se ajusta la salida por el terminal de salida de audio digital COAXIAL.



### OFF

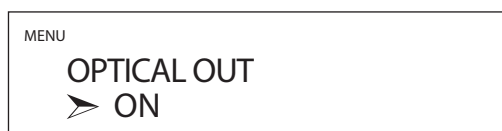
No se emitirá ninguna señal de audio por el terminal de salida de audio digital COAXIAL.

### ON (por defecto)

Se emitirán señales de audio por el terminal de salida de audio digital COAXIAL.

## Salida digital óptica

Aquí se ajusta la salida por el terminal de salida de audio digital OPTICAL.



### OFF

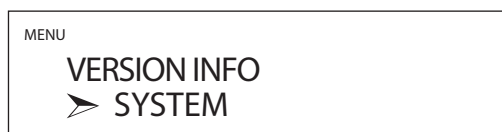
No se emitirá ninguna señal de audio por el terminal de salida de audio digital OPTICAL.

### ON (por defecto)

Se emitirán señales de audio por el terminal de salida de audio digital OPTICAL.

## Pantalla de información

Muestra la versión del firmware utilizado por la unidad.



### SYSTEM

Versión de firmware del microordenador.

### USB

Versión de firmware de USB.

### FPGA

Versión de firmware de FPGA.

### CD DRIVE

Versión de firmware de la unidad de CD.

## Solución de problemas

Si tiene un problema con este producto, por favor dedique un momento a revisar la información que le proporcionamos a continuación antes de solicitar servicio técnico. Si aún así la unidad no funciona correctamente, póngase en contacto con el establecimiento donde adquirió la unidad.

### General

#### La unidad no se enciende.

- ➔ Compruebe que el enchufe del cable de corriente está insertado completamente en la toma de electricidad. Si la toma de electricidad a su vez tiene un interruptor, confirme que el interruptor está en la posición de encendido.
- ➔ Conecte un dispositivo eléctrico diferente en la toma de electricidad para confirmar que suministra corriente.
- ➔ Si la función de ahorro de energía automático ha hecho que la unidad entre en reposo, pulse el botón STANDBY/ON del mando a distancia para volver a encender la unidad.

#### El modo de reposo (standby) se inicia automáticamente.

- ➔ La función de ahorro de energía automático está funcionando para poner la unidad en reposo. Ponga el interruptor STANDBY/ON en STANDBY (reposo) y a continuación vuelva a ponerlo en ON (encendido). Cambie el ajuste de la función de ahorro de energía automático si es necesario (página 70).

#### El mando a distancia no funciona.

- ➔ Encienda de la unidad principal (página 64).
- ➔ Si las pilas están gastadas, cambie ambas por otras nuevas (página 56).
- ➔ El mando a distancia no funcionará si hay obstáculos entre el mando y la unidad principal. Apunte con el mando a distancia hacia el panel frontal de la unidad desde una distancia inferior a 5 m (16 pies) (página 56).

#### Una televisión u otro dispositivo no funcionan correctamente.

- ➔ La utilización del mando a distancia de esta unidad podría hacer que algunas televisiones u otros dispositivos con funciones de control remoto inalámbrico funcionen incorrectamente.

#### Hay un zumbido.

- ➔ Si algún cable de conexión está cerca de un cable de corriente, de un fluorescente o de otra causa similar de interferencias, aumente la distancia entre ellos todo lo que sea posible.

#### No sale sonido.

- ➔ Si hay un amplificador estéreo conectado a esta unidad, ajuste su volumen.
- ➔ Reconfirme las conexiones con los demás componentes del equipo.

Continúa en la página siguiente ➔

## Solución de problemas (continuación)

### Transporte de CD

#### No es posible la reproducción.

- ➔ Si el disco está boca abajo, vuelva a cargarlo con la cara de la etiqueta hacia arriba.
- ➔ Si el disco está sucio, límpielo.
- ➔ Si hay un disco vacío cargado, sustitúyalo por un disco que tenga grabaciones.
- ➔ Dependiendo de la calidad y las condiciones de grabación del disco, es posible que algunos discos CD-R/CD-RW no puedan reproducirse.
- ➔ Esta unidad no puede reproducir discos CD-R/CD-RW no finalizados.

#### El sonido salta.

- ➔ Las vibraciones hacen que el sonido salte. Instale esta unidad en un lugar estable.
- ➔ Si el disco está sucio, límpielo.
- ➔ No utilice discos que estén rayados o agrietados.

### Sincronización de reloj

#### El indicador CLOCK no deja de parpadear.

- ➔ Ajuste el modo de sincronización de reloj en "OFF" cuando no se utilice.
- ➔ Podría estar entrando una señal de reloj con la que la unidad no puede sincronizarse. Verifique las conexiones de los terminales de sincronización de reloj y los ajustes de los dispositivos conectados.

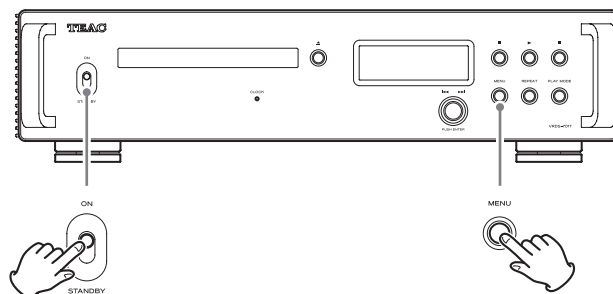
Puesto que esta unidad utiliza un microcontrolador, ruidos externos u otras interferencias pueden causar anomalías de funcionamiento en la unidad. Si esto ocurre, desenchufe el cable de corriente, espere un rato, y a continuación encienda la unidad otra vez y vuelva a empezar con las operaciones.

#### Nota sobre la condensación

Si traslada esta unidad de un entorno frío al aire libre a un entorno cálido en un interior, o si se acaba de encender la calefacción en la habitación donde esté situada, por ejemplo, puede producirse condensación en alguna de las piezas funcionales o en las lentes, dando como resultado un funcionamiento incorrecto. Si esto ocurre, deje el producto encendido y espere una o dos horas. Así debería restablecerse la reproducción con normalidad.

### Restaurar los ajustes predeterminados de fábrica

- 1** Mientras mantiene pulsado el botón MENU, ponga el interruptor STANDBY/ON en "ON".



- 2** Suelte el botón MENU cuando aparezca el menú FACTORY RESET.

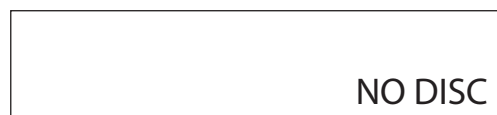


- 3** Pulse el mando de salto (|◀◀/▶▶|).



Una vez terminada la restauración, aparecerá la pantalla habitual.

Ejemplo de pantalla



#### ATENCIÓN

- No ponga la unidad en reposo (standby) hasta que aparezca la pantalla habitual.
  - Esta operación restaurará todos los ajustes a sus valores predeterminados.
- 
- Los ajustes predeterminados de fábrica son los valores de ajustes que se muestran en las imágenes de pantallas utilizadas en las explicaciones de este manual.



## Tipos de discos reproducibles

CD Audio (incluidos CD-R y CD-RW)

- Los CD de 8 cm no son compatibles.

## Entrada de sincronización de reloj

Terminal ..... BNC  
 Frecuencia de muestreo de entrada ..... 10 MHz  
 Impedancia de entrada ..... 50 Ω  
 Nivel de entrada ..... onda rectangular: equivalente a niveles TTL;  
 onda senoidal: de 0,5 a 1,0 Vrms

## Salidas de audio digital

Digital COAXIAL ..... 1  
 Nivel de salida ..... 0,5 Vpp  
 Impedancia de salida ..... 75 Ω  
 Digital OPTICAL ..... 1  
 TOS (JEITA RC5720C)

## Control externo

Entrada de disparador (12V TRIGGER IN) ..... 1  
 (minijack mono de 3,5 mm)  
 Nivel de entrada ..... 12 V, 1 mA  
 Salida de disparador (12V TRIGGER OUT) ..... 1  
 (minijack mono de 3,5 mm)  
 Nivel de salida ..... 12 V  
 Suministro de corriente máximo ..... 100 mA

## General

Alimentación

Modelo para Europa ..... CA 220–240 V, 50/60 Hz  
 Modelo para EE. UU./Canadá ..... CA 120 V, 60 Hz  
 Consumo de energía ..... 10 W  
 Corriente en reposo ..... 0,4 W (en modo "standby")  
 Dimensiones externas (ancho × alto × profundo, salientes incluidos)  
 444 × 111 × 333 mm (17 1/2 × 4 3/8 × 13 1/8 pulgadas)  
 Peso ..... 10,1 kg (22 3/8 libras)  
 Margen de temperatura de funcionamiento ..... de +5 °C a +35 °C  
 Margen de humedad de funcionamiento ..... de 5 % a 85 %  
 (sin condensación)  
 Margen de temperatura de almacenamiento ... de –20 °C a +55 °C

## Accesorios incluidos

Cable de corriente × 1  
 Mando a distancia (RC-1338) × 1  
 Pilas para el mando a distancia (AAA) × 2  
 Almohadillas para las patas × 3  
 Manual del usuario (este documento, incluida la garantía) × 1

- Los usuarios que vivan en EE. UU. y Canadá encontrarán información sobre la garantía en las páginas 74–75 y en la contraportada (documento de garantía). Los usuarios que vivan en Europa y otras áreas deben consultar la página 75.
- Las especificaciones y el diseño están sujetos a cambios sin previo aviso.
- El peso y las dimensiones son aproximados.
- Las ilustraciones de este manual pueden diferir ligeramente de los modelos de producción.

# WARRANTY/GARANTIE/GARANTÍA

## Warranty provisions (United States and Canada only)

### Length of Warranty

The parts and labor warranty will be effective for one (1) year from the date of the original purchase for products not used for commercial purposes. For products used commercially, the warranty is ninety (90) days for magnetic heads and optical pickups, one (1) year for all other parts and ninety (90) days for labor.

### Who Is Covered Under This Warranty

This warranty is valid only in the United States or Canada, dependent upon the country in which original purchase was made, and enforceable only by the original purchaser within the country in which the purchase was made.

This warranty is not valid if the product was purchased through an unauthorized dealer.

### What Is Not Covered Under This Warranty

- Damage to or deterioration of the external cabinet.
- Damage resulting from accident, misuse, abuse, or neglect.
- Damage resulting from failure to follow instructions contained in the products owners' manual or otherwise provided with the product.
- Damage occurring during shipment of the product (Claims must be presented to the carrier).
- Damage resulting from the repair or attempted repair by anyone other than TEAC or an authorized TEAC service station.
- Damage resulting from modification or attempted modification of product not authorized by TEAC.
- Damage resulting from causes other than product defects, including lack of technical skills, competence, or experience of the user.
- Damage to any unit that has been altered or which the serial number has been defaced, modified or removed.

### What TEAC Will Pay For

TEAC will pay all labor and material expenses for items covered by the warranty. Payment of shipping charges is covered in the next section.

### How To Obtain Warranty Service

Your unit must be serviced by an authorized TEAC service station within the country in which the product was purchased. If you are unable to locate an authorized service station in your area, please contact TEAC at the applicable address shown at the end of this warranty statement. PLEASE DO NOT RETURN YOUR UNIT TO TEAC WITHOUT OUR PRIOR AUTHORIZATION. You must pay shipping charges if it is necessary to ship the product for service. However, if the necessary repairs are covered by warranty, we will pay the return shipping charges to any destination within the country in which the product was purchased. Whenever warranty service is required, you must present the original dated sales receipt, or other proof indicating the purchase place and date, as proof of warranty coverage.

### LIMITATION OF IMPLIED WARRANTIES

ALL IMPLIED WARRANTIES, INCLUDING WARRANTIES OF MERCHANTABILITY AND FITNESS FOR A PARTICULAR PURPOSE, ARE LIMITED IN DURATION TO THE LENGTH OF THIS WARRANTY.

### EXCLUSION OF DAMAGES

TEAC'S LIABILITY FOR ANY DEFECTIVE PRODUCT IS LIMITED TO REPAIR OR REPLACEMENT OF THE PRODUCT, AT TEAC'S OPTION. TEAC SHALL NOT BE LIABLE FOR DAMAGE BASED UPON INCONVENIENCE, LOSS OF USE OF THE PRODUCT, INTERRUPTED OPERATION, COMMERCIAL LOSS OR LOST PROFITS, OR ANY OTHER DAMAGES, WHETHER INCIDENTAL, CONSEQUENTIAL, PUNITIVE OR OTHERWISE.

SOME STATES OR PROVINCES DO NOT ALLOW LIMITATIONS ON HOW LONG AN IMPLIED WARRANTY LASTS AND/OR DO NOT ALLOW THE EXCLUSION OR LIMITATION OF INCIDENTAL OR CONSEQUENTIAL DAMAGES, SO THE ABOVE LIMITATIONS AND EXCLUSIONS MAY NOT APPLY TO YOU.

THIS WARRANTY GIVES YOU SPECIFIC RIGHTS, AND MAY VARY FROM SOME OF THE RIGHTS PROVIDED BY LAW. THESE RIGHTS MAY VARY FROM STATE TO STATE OR PROVINCE TO PROVINCE.

## Conditions de garantie (États-Unis et Canada uniquement)

### Durée de la garantie

La garantie pièces et main d'oeuvre sera valable un (1) an à compter de la date d'achat initial des produits non utilisés dans un but commercial. Pour les produits à utilisation commerciale, la garantie des têtes magnétiques et capteurs optiques est de quatre-vingt dix (90) jours, elle est d'un (1) an pour les autres pièces et quatre-vingt dix (90) jours pour la main d'oeuvre.

### Bénéficiaire de la garantie

Cette garantie n'est valable qu'aux États-Unis et au Canada, selon le pays d'achat initial, et ne s'applique qu'à l'acquéreur initial dans le pays d'achat. Cette garantie n'est pas valable si le produit a été acheté auprès d'un revendeur non autorisé.

### Ce qui n'est pas couvert par cette garantie

- Les dommages ou détériorations du boîtier externe.
- Les dommages résultant d'un accident, d'une mauvaise utilisation, d'un abus ou d'une négligence.
- Les dommages résultant du non-respect des instructions contenues dans le mode d'emploi du produit ou fournies avec le produit.
- Les dommages survenus durant le transport du produit (les réclamations doivent être adressées au transporteur).
- Les dommages résultant d'une réparation ou tentative de réparation effectuée par toute personne extérieure au service après-vente TEAC ou agréé par TEAC.
- Les dommages résultant d'une modification ou tentative de modification de produit non autorisée par TEAC.

- Les dommages résultant de causes autres que des défauts de produit, y compris le manque d'aptitude technique, de compétence ou d'expérience de l'utilisateur.
- Les dommages de toute unité ayant été modifiée ou dont le numéro de série a été effacé, modifié ou retiré.

### Frais pris en charge par TEAC

TEAC prendra en charge tous les frais de pièces et main d'oeuvre pour les articles couverts par la garantie. Les frais d'expédition sont évoqués dans la section suivante.

### Comment obtenir une intervention sous garantie

Votre unité doit être réparée par un service après-vente agréé par TEAC dans le pays d'achat du produit. Si vous ne trouvez pas de service après-vente agréé dans votre région, veuillez contacter TEAC à l'adresse appropriée donnée à la fin de cette garantie. VEUILLEZ NE PAS RENVOYER VOTRE UNITÉ CHEZ TEAC SANS NOTRE AUTORISATION PRÉALABLE. Si le produit doit être renvoyé pour réparation, les frais d'expédition sont à votre charge. Toutefois, si les réparations nécessaires sont couvertes par la garantie, nous prendrons à notre charge les frais de retour vers toute destination dans le pays d'achat du produit. Lorsqu'une réparation sous garantie est requise, vous devez présenter comme preuve de couverture par la garantie la facture d'achat originale datée ou une autre preuve d'achat mentionnant le lieu et la date d'achat.

### LIMITATION DES GARANTIES IMPLICITES

TOUTES LES GARANTIES IMPLICITES, Y COMPRIS LES GARANTIES DE QUALITÉ MARCHANDE ET D'ADÉQUATION À UN USAGE PARTICULIER, SONT LIMITÉES À LA DURÉE DE CETTE GARANTIE.

### EXCLUSION DE DOMMAGES

LA RESPONSABILITÉ DE TEAC VIS-À-VIS DE TOUT PRODUIT DÉFECTUEUX EST LIMITÉE À LA RÉPARATION OU AU REMPLACEMENT DU PRODUIT, AU GRÉ DE TEAC. TEAC NE POURRA ÊTRE TENU POUR RESPONSABLE DE QUELCONQUES DOMMAGES SE RAPPORTANT AU DÉRANGEMENT, À LA PERTE D'USAGE DU PRODUIT, À L'INTERRUPTION DE L'UTILISATION, AUX PERTES COMMERCIALES OU DE PROFITS, NI D'AUCUN AUTRE DOMMAGE, QU'IL SOIT ACCESSOIRE, INDIRECT, PUNITIF OU AUTRE.

CERTAINS ÉTATS OU PROVINCES N'AUTORISENT PAS DE LIMITATIONS DE DURÉE D'UNE GARANTIE IMPLICITE ET/OU N'AUTORISENT PAS L'EXCLUSION OU LA LIMITATION DES DOMMAGES ACCESSOIRES OU INDIRECTS, AUQUEL CAS LES LIMITATIONS ET EXCLUSIONS CI-DESSUS PEUVENT NE PAS VOUS ÊTRE APPLICABLES.

CETTE GARANTIE VOUS DONNE DES DROITS SPÉCIFIQUES QUI PEUVENT ÊTRE DIFFÉRENTS DE CERTAINS DROITS OCTROYÉS PAR LA LOI. CES DROITS PEUVENT VARIER D'UN ÉTAT À L'AUTRE OU D'UNE PROVINCE À L'AUTRE.

## Europe/Europa

This product is subject to the legal warranty regulations of the country of purchase. In case of a defect or a problem, please contact the dealer where you bought the product.

Ce produit est sujet aux réglementations concernant la garantie légale dans le pays d'achat. En cas de défaut ou de problème, veuillez contacter le revendeur chez qui vous avez acheté le produit.

Las condiciones de garantía de este aparato están sujetas a las disposiciones legales sobre garantía del país en el que ha sido adquirido. En caso de garantía, debe dirigirse al establecimiento donde adquirió el aparato.

## In countries/regions other than the USA, Canada and Europe

This warranty gives you specific legal rights, and you may also have other rights that vary by country, state or province.

If you have a warranty claim or request, please contact the dealer where you bought the product.

该保证书赋予了顾客特定的合法权利,并且因国家,州或省等地区的不同,顾客可能拥有其他权利。如需申请或要求保修,请与购买本产品的销售店进行联系。

**WARRANTY/GARANTIE (United States and Canada only/États-Unis et Canada uniquement)**

Model/Modèle: **VRDS-701T**

Serial No./N° de série

Owner's address/Adresse du propriétaire

Date of purchase/Date de l'achat

Dealer's name/Nom du revendeur

**Sample**

Owner's name/Nom du propriétaire

Dealer's address/Adresse du revendeur

**TEAC**

TEAC CORPORATION

1-47 Ochiai, Tama-shi, Tokyo 206-8530, Japan  
<https://teac.jp/int/>

This product has a serial number located on the rear panel. Please write it here and retain this for your records.

Model name: VRDS-701T    Serial number: \_\_\_\_\_

