

UMAXX

SHALLOW SUBWOOFER



UMAXS102

UMAXS104

UMAXS122

UMAXS124

MANUAL

Cerwin Vega Mobile Subwoofers

Congratulations for purchasing Cerwin Vega Mobile subwoofers for your car audio system. You have chosen Cerwin Vega Mobile because you deserve the best!

Cerwin Vega Mobile speakers are designed and engineered to reproduce great sound quality for many years of listening enjoyment in your vehicle! We highly recommend that your new speakers be installed by an authorized Cerwin Vega Mobile dealer. Your authorized dealer can professionally assemble / disassemble the interior of your vehicle and set the proper subwoofer placement for ideal sound quality.

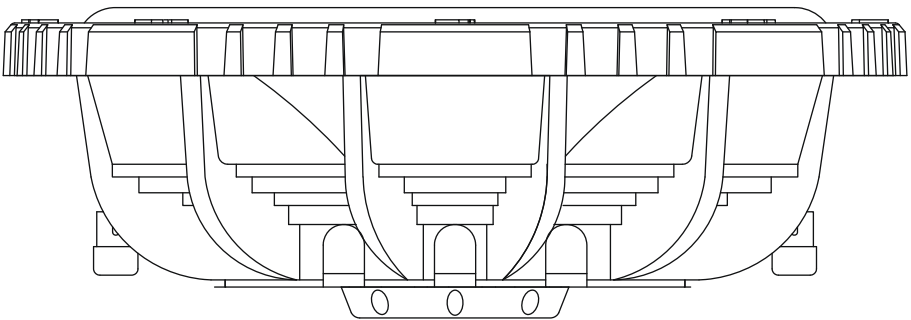
If you decide to install the subwoofers by yourself, please thoroughly read through this manual before getting started. This manual will help familiarize yourself with these speakers and guide you through the installation process and procedures.

Please contact your local authorized Cerwin Vega Mobile dealer if you have any questions regarding the instructions in this manual. If you require additional assistance, please contact the Cerwin Vega Mobile Technical Support Department during business hours at 213-261-4161

Features

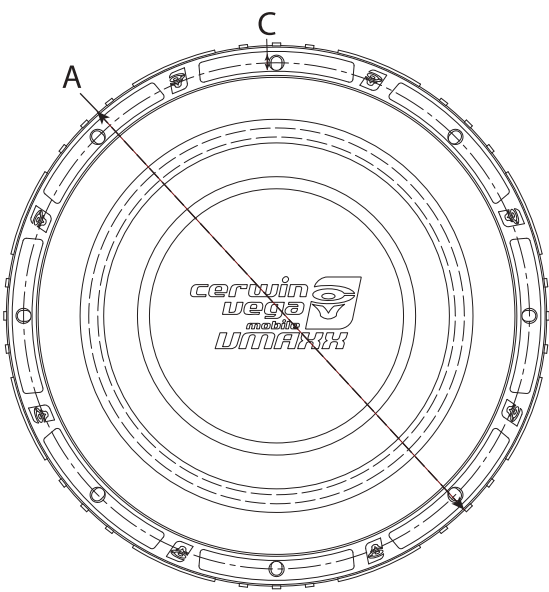
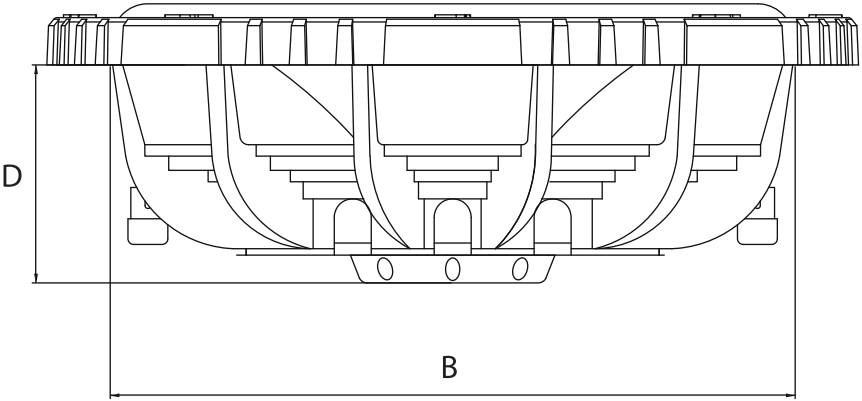
VMAXS102 / VMAXS104 - 10 INCH SUBWOOFER
VMAXS122 / VMAXS124 - 12 INCH SUBWOOFER

- Heavy Industrial Strength Aluminum Cast Frame
- Treated Semi-Pressed Pulped Cone
- Elevated Motor Structure For Increased Cooling
- Oversized Spider
- Black Coated 2 inch Voice Coil for Higher Thermal Capability
- Available in Dual 2 Ohm or Dual 4 Ohm
- Oversized Polished Black Chrome Terminals
- Shorting Ring for lower Distortion
- Polished Bumped Backplate
- Klippel Optimized Motor/Suspension Symmetry



Specifications

Dimensions	Unit	VMAXS102	VMAXS104	VMAXS122	VMAXS124
Total Diameter (A)	in. (mm)	11.06" (281)	11.06" (281)	12.79" (325)	12.79" (325)
Mounting Diameter (B)	in. (mm)	9.47" (240.5)	9.47" (240.5)	11.02" (280)	11.02" (280)
Screw Hole Dia. (C)	in. (mm)	0.18" (4.5)	0.18" (4.5)	0.26" (6.5)	0.26" (6.5)
Mounting Depth (D)	in. (mm)	3.11" (79)	3.11" (79)	3.62" (92)	3.62" (92)
Magnet Dia.	in. (mm)	5.51" (140)	5.51" (140)	5.51" (140)	5.51" (140)
Displacement	cu.ft / 3/L	0.037 (1.04L)	0.037 (1.04L)	0.072 (2.05L)	0.072 (2.05L)



Thiele/Small Parameters

Parameter (unit)	VMAXS102	VMAXS104	VMAXS122	VMAXS124
SPL (dB)	83.9	83.8	86.5	87.5
Re (Ω)[series]	1 Ω /4 Ω	2 Ω /8 Ω	1 Ω /4 Ω	2 Ω /8 Ω
Qms	7.04	6.27	6.75	6.65
Qes	0.8	0.75	0.76	0.64
Qts	0.72	0.67	0.68	0.59
Fs (Hz)	37.9	37.5	33.1	33.3
Vas (L)	23.6	22.4	61.8	64.4
Cms (mm/N)	0.13	0.12	0.15	0.15
Mms (g)	138.1	148.4	159.6	151.3
Sd (m ²)	0.03631	0.03631	0.05515	0.05515
BL (T*M)	12.2	17.3	12.5	17.7
Xmax (mm)	7	7	9	9
Pwr (W) NOM/MAX	300/600	300/600	400/800	400/800

NOTICE: IMPORTANT

Dual 2 ohm Voice Coil woofers are either 1 ohm or 4 ohm total impedance and NEVER 2 ohms!!

Dual 4 ohm Voice Coil woofers are either 2 ohm or 8 ohm total impedance and NEVER 4 ohms!!!

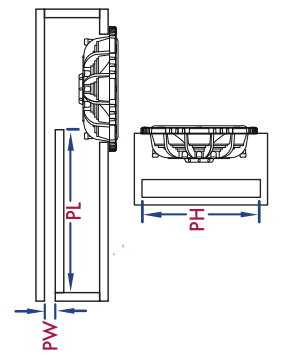
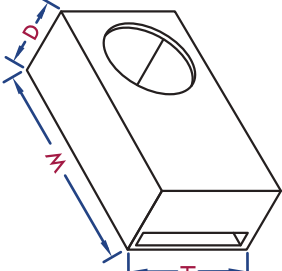
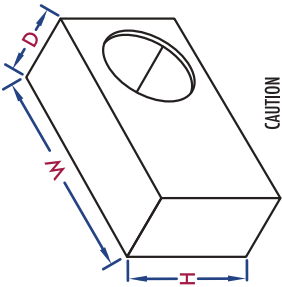
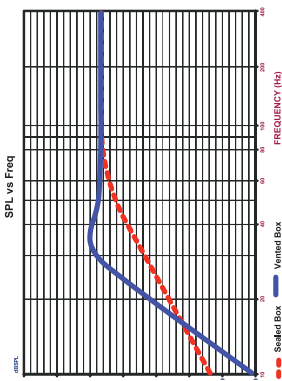
This is true from ANY manufacturer..not just us.

Make sure to wire your woofers into the CORRECT impedance your amplifier can use.

If you require additional assistance, please contact the Cerwin Vega Mobile Technical Support Department during business hours at 213-261-4161

RECOMMENDED ENCLOSURES

SUBWOOFER SIZE		SEALED ENCLOSURE		PORTED ENCLOSURE	
All measurements are calculated Using 3/4" MDF		Volume (net int.)	External Dimensions W _{width} x H _{height} x D _{depth}	Volume (net int.)	Enclosure External Dimensions W _{width} x H _{height} x D _{depth}
VMAXS102	0.6 ft ³	30" x 11" x 5.5" 762mm x 279.4mm x 140mm	1.0 ft ³	32" x 14.5" x 6" 813mm x 368mm x 152mm	Slot Port Internal Dimensions Port W _{width} x Port H _{height} x Port Length 1" x 13" x 21" 25.4mm x 330mm x 534mm
VMAXS104	0.6 ft ³	30" x 11" x 5.5" 762mm x 279.4mm x 140mm	1.0 ft ³	32" x 14.5" x 6" 813mm x 368mm x 152mm	1" x 13" x 21" 25.4mm x 330mm x 534mm
VMAXS122	0.75 ft ³	31.5" x 13" x 5.5" 800mm x 330mm x 140mm	1.25 ft ³	37" x 15.5" x 6.5" 813mm x 394mm x 165mm	1.25" x 14" x 22.5" 31.75mm x 356.6mm x 571.5mm
VMAXS124	0.75 ft ³	31.5" x 13" x 5.5" 800mm x 330mm x 140mm	1.25 ft ³	37" x 15.5" x 6.5" 813mm x 394mm x 165mm	1.25" x 14" x 22.5" 31.75mm x 356.6mm x 571.5mm



CAUTION
(The use of a sub-sonic filter set at a minimum of 30Hz is recommended on all vented enclosures.)



MINIMUM RMS POWER (500W BLACK AREA)
This lower amount of power will increase the longevity of the woofer, but will decrease the amount of output volume.

RECOMMENDED RMS POWER (500W GREEN AREA)
This is the optimum amount of power to provide the perfect balance output volume and woofer longevity.

MAXIMUM RMS POWER (1000W GREEN AREA)
This is the maximum amount of power the woofer is designed to operate safely under. Only a moderate volume increase is gained (<1.7dB) at this higher power level. Operating Beyond this power level will void your warranty!!

Warranty

Thank you for purchasing a Cerwin Vega Mobile product and we hope to provide you with countless hours of listening enjoyment.

Please take a brief moment to register your new product. By registering your new product, you will receive benefits such as:

- Important product notifications that may pertain to your purchase.
- Confirmation and record of ownership in case of loss or theft.
- Knowledgeable customer service and technical assistance pertaining to your product.

Register your new product by completely filling out this Product and Warranty Registration card or register online at www.cerwinvegamobile.com.

Registration is voluntary and failure to register will not diminish your limited warranty rights.

Limited Warranty (U.S.A.)

Cerwin Vega Mobile warrants all of our amplifiers and speakers to be free of defects in materials and workmanship for a period of one (1) year.

This warranty is non-transferable and applies only to the original purchaser from an authorized Cerwin Vega Mobile dealer. If service is required and necessary under this warranty due to manufacturing defect or malfunction, then Cerwin Vega Mobile will repair and/or replace defective product with either new or remanufactured like product at no charge at our discretion.

Damage to product caused by the following will not be covered under this warranty: abuse, accident, misuse, neglect, modifications, repairing attempts, seller/installer misrepresentation.

This warranty does not cover any incidental, consequential, or cosmetic damage due to accidents or normal wear and tear, nor does it cover the cost of removing or reinstallation of the product.

Warranty is void if the product's serial number has been removed, defaced, and/or tampered with.

Warranty Procedure:

We recommend that you contact your Cerwin Vega Mobile authorized dealer where your original purchase was made to initiate all warranty claims. Our authorized dealers can guide you through the warranty procedure to ensure that your claim will be processed in a timely manner. All warranty returns must be accompanied with a proof of purchase (a copy of the original sales receipt) and be shipped freight prepaid to our facility with an RA (Return Authorization) number clearly marked on the outside of the package. Direct returns from consumers or non-authorized dealers will be refused if shipped without a valid RA number authorized by Cerwin Vega Mobile beforehand.

INTERNATIONAL

Products purchased outside of the U.S.A. are covered only by that country's distributor and not by Cerwin Vega Mobile U.S.A.

Please Ship All Warranty Claims With Pre-Authorized RA Number To:
CV&DA Holdings, Inc.
ATTN: Customer Service Department
3761 S. Hill St.
Los Angeles, CA 90007 USA

Please Contact Customer Service for Further Warranty Information:
U.S.A.
Tel: 213-261-4161 / Fax: 213-947-4767



**3761 South Hill Street
Los Angeles 90007, USA
P 213-261-4161 / F 213-947-4767**

WWW.CERWINVEGAMOBILE.COM

**©2019 Cerwin Vega Mobile All rights reserved.
(a division of CV & DA Holdings, Inc.)**