

UMAXX

SUBWOOFER



UMAX6SD2/UMAX6SD4
UMAX8D2/UMAX8D4
UMAX10D2/UMAX10D4
UMAX12D2/UMAX12D4
UMAX15D2/UMAX15D4

MANUAL

Cerwin Vega Mobile Subwoofers

Congratulations for purchasing Cerwin Vega Mobile subwoofers for your car audio system. You have chosen Cerwin Vega Mobile because you deserve the best!

Cerwin Vega Mobile speakers are designed and engineered to reproduce great sound quality for many years of listening enjoyment in your vehicle! We highly recommend that your new speakers be installed by an authorized Cerwin Vega Mobile dealer. Your authorized dealer can professionally assemble / disassemble the interior of your vehicle and set the proper subwoofer placement for ideal sound quality.

If you decide to install the subwoofers by yourself, please thoroughly read through this manual before getting started. This manual will help familiarize yourself with these speakers and guide you through the installation process and procedures.

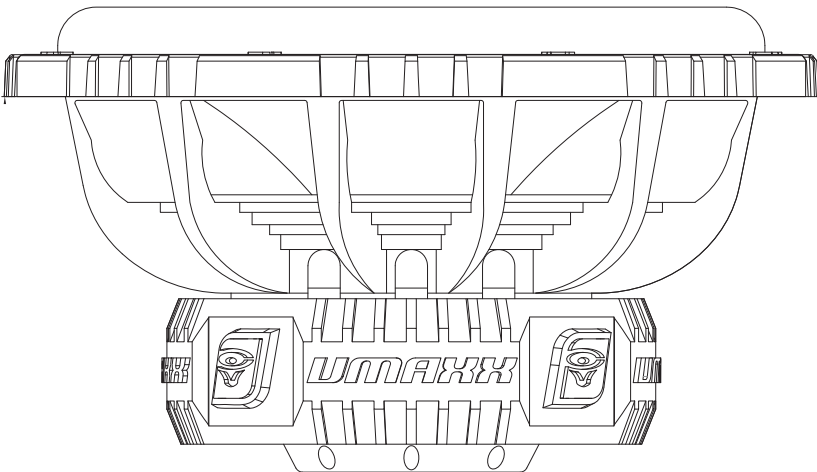
Please contact your local authorized Cerwin Vega Mobile dealer if you have any questions regarding the instructions in this manual.

If you require additional assistance, please contact the Cerwin Vega Mobile Technical Support Department during business hours at 213-261-4161

Features

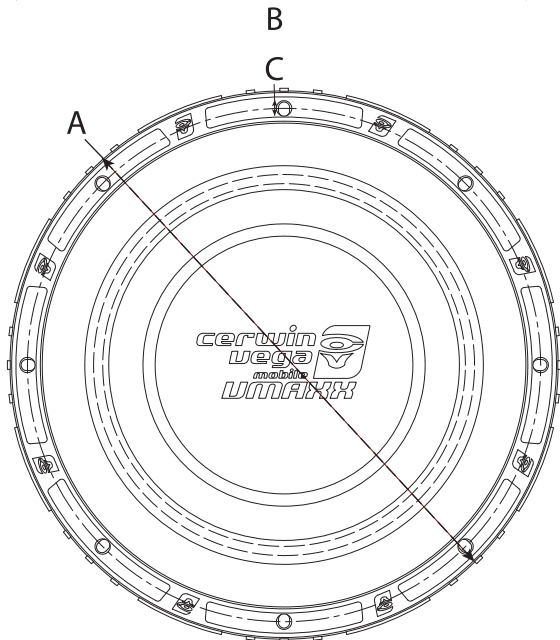
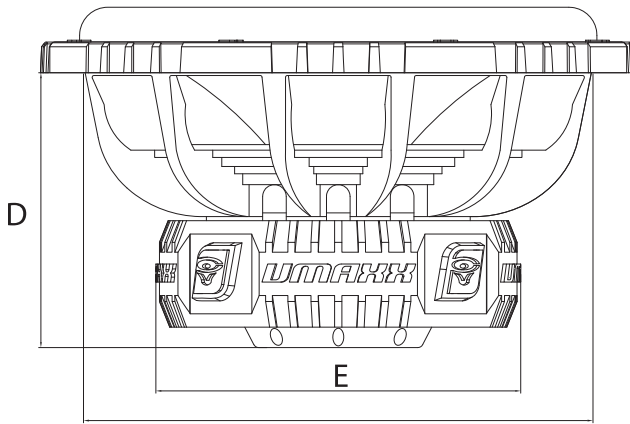
VMAX65D2/VMAX65D4 - 6.5 INCH SUBWOOFER
VMAX8D2 / VMAX8D4 - 8 INCH SUBWOOFER
VMAX10D2 / VMAX10D4 - 10 INCH SUBWOOFER
VMAX12D2 / VMAX12D4 - 12 INCH SUBWOOFER
VMAX15D2 / VMAX15D4 - 15 INCH SUBWOOFER

- Heavy Industrial Strength Aluminum Cast Frame
- Black Design Patterned Treated Semi-Pressed Pulped Cone
- Elevated Motor Structure Cooling Design
- Oversized Spider
- Black Coated Voice Coil for Higher Thermal Capability
- Oversized Polished Black Chrome Finished Terminals
- Shorting Ring for lower Distortion
- Polished Bumped Backplate
- Klippel DA Optimized Motor and Suspension Symmetry



Specifications

Dimensions	Unit	VMAX65D2/65D4	VMAX8D2/8D4	VMAX10D2/10D4	VMAX12D2/12D4	VMAX15D2/15D4
Total Diameter (A)	in. (mm)	6.89" (175)	8.74" (222)	11.06" (281)	12.79" (325)	15.95" (405v)
Mounting Diameter (B)	in. (mm)	5.59" (142)	7.36" (187)	9.47" (240.5)	11.02" (280)	13.98" (355)
Screw Hole Dia. (C)	in. (mm)	0.18" (4.5)	0.24" (6)	0.26" (6.5)	0.26" (6.5)	0.26" (6.5)
Mounting Depth (D)	in. (mm)	4.25" (108)	4.80" (122)	5.39" (137)	5.98" (152)	7.48" (190)
Magnet Dia. (E)	in. (mm)	5.53" (140.5)	6.57" (167)	6.89" (175)	7.89" (200.5)	7.89" (200.5)
Displacement	cu.ft / 3/L	0.037 (1.04L)	0.058 (1.65L)	0.072 (2.05L)	0.094 (2.67L)	0.15 ft ³ (4.24L)



Thiele/Small Parameters

Parameter (unit)	VMAX65D2	VMAX65D4	VMAX8D2	VMAX8D4	VMAX10D2
SPL (dB)	83.5	83.0	81.1	81.9	83.3
Re (Ω)[series]	1 Ω /4 Ω	2 Ω /8 Ω	1 Ω /4 Ω	2 Ω /8 Ω	1 Ω /4 Ω
Qms	5.07	4.56	5.86	4.75	6.73
Qes	0.44	0.56	0.65	0.62	0.61
Qts	0.40	0.50	0.58	0.55	0.56
Fs (Hz)	51.3	60.7	41.5	43.6	32.6
Vas (L)	4.7	3.3	8.1	7.5	24.6
Cms (mm/N)	0.16	0.11	0.14	0.13	0.13
Mms (g)	58.7	60.0	103.2	100.4	178.5
Sd (m ²)	0.014	0.014	0.02	0.02	0.036
BL (T*M)	12.5	16.2	13.8	16.9	14.7
Xmax (mm)	10	10	15	15	15
Pwr (W) NOM/MAX	200/400	200/400	500/1000	500/1000	800/1600

Parameter (unit)	VMAX10D4	VMAX12D2	VMAX12D4	VMAX15D2	VMAX15D4
SPL (dB)	84.4	84.8	86.9	87.6	86.6
Re (Ω)[series]	2 Ω /8 Ω	1 Ω /4 Ω	2 Ω /8 Ω	1 Ω /4 Ω	2 Ω /8 Ω
Qms	5.23	5.09	4.49	3.233	3.98
Qes	0.6	0.5	0.48	0.688	1.005
Qts	0.54	0.46	0.44	0.568	0.803
Fs (Hz)	36.9	29.1	32.9	28.87	31.48
Vas (L)	21.5	40.6	44.2	106.89	94.907
Cms (mm/N)	0.12	0.1	0.12	109.38	97.11
Mms (g)	159.5	290.9	272.3	320.3	317.7
Sd (m ²)	0.036	0.053	0.053	0.083	0.083
BL (T*M)	20.4	19.5	25	15.303	19.3
Xmax (mm)	15	14	14	14	14
Pwr (W) NOM/MAX	800/1600	1000/2000	1000/2000	1500/3000	1500/3000

Enclosures

SUBWOOFER SIZE

(All measurements are calculated Using 3/4" MDF)

SEALED ENCLOSURE

Volume (net int.)

External Dimensions
Width x Height x Depth

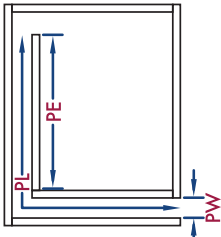
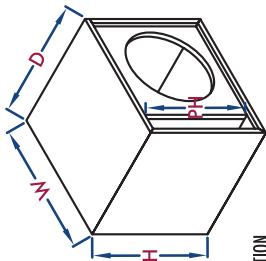
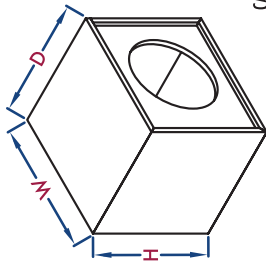
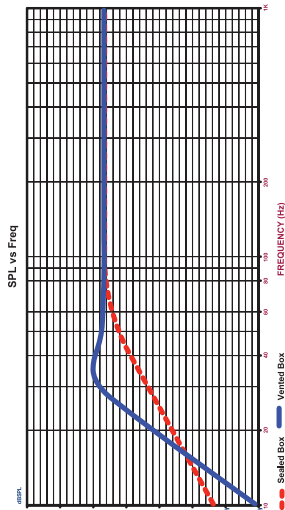
Volume (net int.)

Enclosure External Dimensions
Width x Height x Depth

Slor Port Internal Dimensions
Port Width x Port Height x Port Length

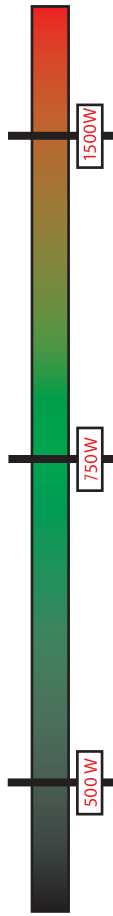
Port Extension Length
"PE"

Subwoofer Size	Volume (net int.)	External Dimensions Width x Height x Depth	Volume (net int.)	Enclosure External Dimensions Width x Height x Depth	Slor Port Internal Dimensions Port Width x Port Height x Port Length	Port Extension Length "PE"
VMAX65D2/VMAX65D4	0.4 ft ³	8" x 9.5" x 15" 203.2mm x 241.3mm x 381mm	0.75 ft ³	10" x 12" x 16" 254mm x 304.8mm x 406.4mm	0.75" x 8" x 17" 19.05mm x 203.2mm x 431.8mm	8"
VMAX8D2/VMAX8D4	0.6 ft ³	9.5" x 9.5" x 17.5" 241.3mm x 241.3mm x 444.5mm	1.0 ft ³	11.25" x 13" x 17" 285.8mm x 330.2mm x 431.8mm	0.75" x 10" x 24" 19.05mm x 254mm x 609.6mm	203.2mm 10"
VMAX10D2/VMAX10D4	1.0 ft ³	11" x 14.5" x 15.5" 279.4mm x 368.3mm x 393.7mm	1.25 ft ³	12" x 14.25" x 17.5" 304.8mm x 361.95mm x 444.5mm	1.25" x 12" x 21" 31.75mm x 304mm x 533.4mm	254mm 10.5"
VMAX12D2/VMAX12D4	1.25 ft ³	13" x 14.5" x 16" 330.2mm x 368.3mm x 406.4mm	1.75 ft ³	14" x 16" x 18.25" 355.6mm x 406.4mm x 463.55mm	1.5" x 14" x 21" 38.1mm x 355.6mm x 533.4mm	266.7mm 12.5"
VMAX15D2/VMAX15D4	4 ft ³	18.5" x 30" x 16" 479mm x 762mm x 406mm	5 ft ³	18.5" x 33" x 18" 479mm x 838mm x 457mm	3" x 17" x 18" 76.2mm x 425mm x 457mm	317.5mm 3.5" 89mm



CAUTION

(The use of a sub-sonic filter set at a minimum of 30Hz is recommended on all vented enclosures.)



MINIMUM RMS POWER (500W BLACK AREA)

This lower amount of power will increase the longevity of the woofer, but will decrease the amount of output volume.

RECOMMENDED RMS POWER (100W GREEN AREA)

This is the optimum amount of power to provide the perfect balance output volume and woofer longevity.

MAXIMUM RMS POWER (1500W RED AREA)

This is the maximum amount of power the woofer is designed to operate safely under. Only a moderate volume increase is gained (< 7dB) at this higher power level. Operating Beyond this power level will void your warranty.

Warranty

Thank you for purchasing a Cerwin Vega Mobile product and we hope to provide you with countless hours of listening enjoyment.

Please take a brief moment to register your new product. By registering your new product, you will receive benefits such as:

- Important product notifications that may pertain to your purchase.
- Confirmation and record of ownership in case of loss or theft.
- Knowledgeable customer service and technical assistance pertaining to your product.

Register your new product by completely filling out this Product and Warranty Registration card or register online at www.cerwinvegamobile.com.

Registration is voluntary and failure to register will not diminish your limited warranty rights.

Limited Warranty (U.S.A.)

Cerwin Vega Mobile warrants all of our amplifiers and speakers to be free of defects in materials and workmanship for a period of one (1) year.

This warranty is non-transferable and applies only to the original purchaser from an authorized Cerwin Vega Mobile dealer. If service is required and necessary under this warranty due to manufacturing defect or malfunction, then Cerwin Vega Mobile will repair and/or replace defective product with either new or remanufactured like product at no charge at our discretion.

Damage to product caused by the following will not be covered under this warranty: abuse, accident, misuse, neglect, modifications, repairing attempts, seller/installer misrepresentation.

This warranty does not cover any incidental, consequential, or cosmetic damage due to accidents or normal wear and tear, nor does it cover the cost of removing or reinstallation of the product.

Warranty is void if the product's serial number has been removed, defaced, and/or tampered with.

Warranty Procedure:

We recommend that you contact your Cerwin Vega Mobile authorized dealer where your original purchase was made to initiate all warranty claims. Our authorized dealers can guide you through the warranty procedure to ensure that your claim will be processed in a timely manner. All warranty returns must be accompanied with a proof of purchase (a copy of the original sales receipt) and be shipped freight prepaid to our facility with an RA (Return Authorization) number clearly marked on the outside of the package. Direct returns from consumers or non-authorized dealers will be refused if shipped without a valid RA number authorized by Cerwin Vega Mobile beforehand.

INTERNATIONAL

Products purchased outside of the U.S.A. are covered only by that country's distributor and not by Cerwin Vega Mobile U.S.A.

Please Ship All Warranty Claims With Pre-Authorized RA Number To:

CV&DA Holdings, Inc.

ATTN: Customer Service Department

3761 S. Hill St.

Los Angeles, CA 90007 USA

Please Contact Customer Service for Further Warranty Information:

U.S.A.

Tel: 213-261-4161 / Fax: 213-947-4767



**3761 South Hill Street
Los Angeles 90007, USA
P 213-261-4161 / F 213-947-4767**

WWW.CERWINVEGAMOBILE.COM

**©2019 Cerwin Vega Mobile All rights reserved.
(a division of CV & DA Holdings, Inc.)**