

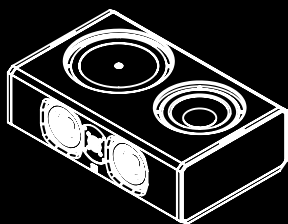
D.

DEFINITIVE TECHNOLOGY

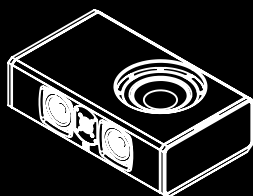
BP9000 | SERIES

Owner's Manual

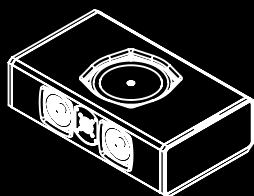
CS9080, CS9060, CS9040



CS9080



CS9060



CS9040

DEFINITIVE TECHNOLOGY

WHAT OBSESSION SOUNDS LIKE™

Thank you for choosing the Definitive Technology BP9000 center channel loudspeaker. The BP9000 range offers some of the most cutting-edge audio technologies designed for use in audio/video systems of the highest quality. Because of its wide range, high-power handling and articulate clarity, the BP9000 center channel is ideal for use in any high performance home theater system.

Our engineers have spent many years developing this product. In order to ensure that you experience the finest performance possible, we encourage you to take a moment to fully read this owner's manual and familiarize yourself with the proper installation and set-up procedures for your center channel loudspeaker.

SAFETY PRECAUTIONS



CAUTION! To reduce the risk of electric shock and fire, do not remove the cover or back plate of this device. There are no user serviceable parts inside. Please refer all servicing to licensed service technicians. Avis: Risque de choc électrique, ne pas ouvrir.

CAUTION! The international symbol of a lightning bolt inside of a triangle is intended to alert the user to uninsulated "dangerous voltage" within the device's enclosure. The international symbol of an exclamation point inside of a triangle is intended to alert the user to the presence of important operating, maintenance and servicing information in the manual accompanying the device.

CAUTION! To prevent electrical shock, match wide blade of plug to wide slot, fully insert. Attention: Pour éviter les chocs électriques, introduire la lame la plus large de la fiche dans la borne correspondante de la prise et pousser jusqu'au fond.

CAUTION! To reduce the risk of electrical shock, do not expose this equipment to rain or moisture.

1. **READ INSTRUCTIONS**—All safety and operating instructions should be read before operating the device.
2. **RETAIN INSTRUCTIONS**—The safety and operating instructions should be retained for future reference.
3. **HEED WARNINGS**—All warnings on the device and in the operating instructions should be adhered to.
4. **FOLLOW INSTRUCTIONS**—All operating and safety instructions should be followed.
5. **WATER & MOISTURE**—The device should never be used in, on or near water for risk of fatal shock.
6. **VENTILATION**—The device should always be located in such a way that it maintains proper ventilation. It should never be placed in a built-in installation or anywhere that may impede the flow of air through its heat sink.
7. **HEAT**—Never locate the device near heat sources such as radiators, floor registers, stoves or other heat-generating devices.
8. **POWER SUPPLY**—The device should only be connected to a power supply of the type described in the operating instructions or as marked on the device.

9. **POWER CORD PROTECTION**—Power cables should be routed so they are not likely to be stepped on or crushed by items placed on them or against them. Special attention should be paid to areas where the plug enters a socket or fused strip and where the cord exits the device.
10. **CLEANING**—The device should be cleaned in accordance with manufacturer's instructions. We recommend using a lint roller or household duster for the grille cloth.
11. **PERIODS OF NON-USE**—The device should be unplugged when not being used for extended periods of time.
12. **DANGEROUS ENTRY**—Care should be taken that no foreign objects or liquids fall or are spilled inside the device.
13. **DAMAGE REQUIRING SERVICE**—The device should be serviced by licensed technicians when:
 - The plug or power supply cord has been damaged.
 - Objects have fallen on or liquid has spilled inside the device.
 - The device has been exposed to moisture.
 - The device does not appear to be operating properly or exhibits a marked change in performance.
 - The device has been dropped or the cabinet becomes damaged.
14. **SERVICE**—The device should always be serviced by licensed technicians. Only replacement parts specified by the manufacturer should be used. The use of unauthorized substitutions may result in fire, shock, or other hazards.

POWER SUPPLY

1. The fuse and power disconnect device are located on the back of the speaker.
2. The disconnect device is the power cord, detachable at either the speaker or the wall.
3. The power cord must be disconnected from the speaker before servicing.

This symbol on our electrical products or their packaging indicates that it is forbidden in Europe to discard the product in question as domestic waste. In order to ensure that you dispose of the products correctly, please dispose of the products according to local laws and regulations on the disposal of electrical and electronic equipment. In doing so you are contributing to the retention of natural resources and to the promotion of environmental protection by the treatment and disposal of electronic waste.



We're delighted that you're part of our Definitive Technology family.

Please take a few minutes to register your product* so we have a complete record of your purchase. Doing so helps us serve you the best we can now and in the future. It also lets us contact you for any service or warranty alerts (*if required*).

Register here: <http://www.definitivetechology.com/registration>

No internet? Call Customer Service

M-F 9:30 a.m. - 6 p.m. US ET

at (800) 228-7148 (US & Canada), 01 (410) 363-7148 (all other countries)

Note: the data we gather during online registration is never sold or distributed to third parties.

**Serial number can be found at the back of the manual*

Unpacking Your CS9000 Speaker

Please unpack your BP9000 center channel speaker carefully. We recommend saving all cartons and packing materials in case you move or need to ship your system. It is important to save this booklet, as it contains the serial number for your product. You can also find the serial number on the back of your BP9000 center channel speaker. Each loudspeaker leaves our factory in perfect condition. Any visible or concealed damage most likely occurred in handling after it left our factory. If you discover any shipping damage, please report this to your Definitive Technology dealer or the company that delivered your loudspeaker.

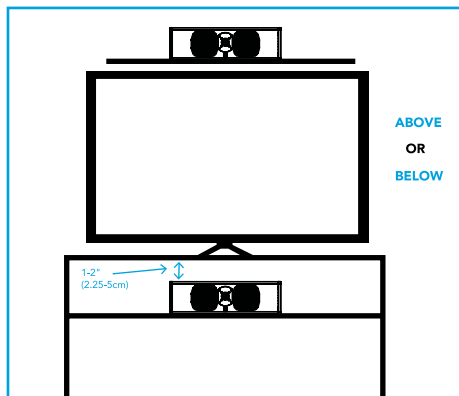


FIGURE 1 – Positioning your center channel speakers

NOTE: PLEASE ENSURE THAT ANY SHELF USED FOR THE CENTER CHANNEL IS RATED TO CORRECTLY SUPPORT ITS WEIGHT.

- A CENTER CHANNEL SPEAKER SHOULD BE PLACED AS CLOSE TO THE CENTER OF YOUR TELEVISION AS POSSIBLE WITHOUT OBSTRUCTING YOUR VIEW.
- TO RECEIVE THE FULL BENEFIT OF THE BASS RADIATORS BUILT INTO YOUR CS SPEAKER LEAVE AT LEAST 1-2" (2.5-5CM) OF SPACE BETWEEN THE TOP OF THE SPEAKER AND ANY SURFACE

Accessories Included:

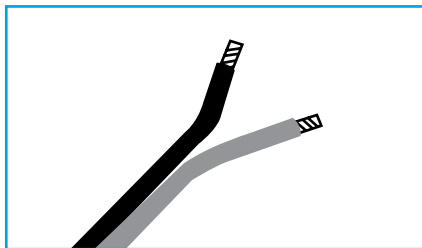
1. Power cord:

- US - Qty (1) for CS9080 and CS9060 models
- EU/UK - Qty (2) for CS9080 and CS9060 models

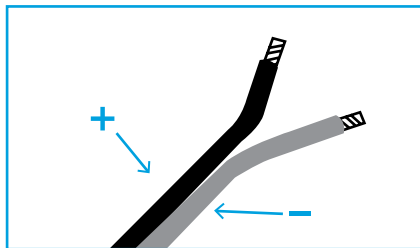
Positioning Your Speakers

Your BP9000 center channel speaker is designed to deliver immense clarity and focus to the vocal range and accurately reproduce even the most demanding audio content. To optimize its performance, please follow these simple guidelines. Although the following recommendations will usually yield the best results, all rooms and listening setups are different, so do not be afraid to experiment with the speaker placement. Whatever sounds best to you is likely correct.

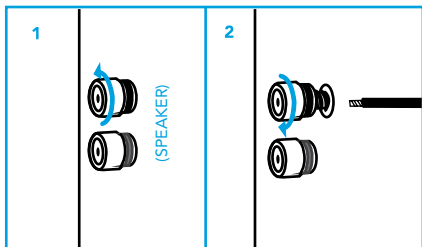
Connecting Your Loudspeakers



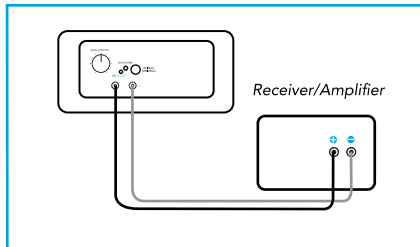
STRIP 1/4" (6MM) WIRE



1. IDENTIFY MARKINGS ON WIRE AND ASSIGN +/-
2. APPLY BANANA PLUGS OR SPADES AT THIS POINT IF APPLICABLE



1. UNSCREW BOTTOM SET OF BINDING POST AND CONNECT WIRE
2. TIGHTEN UNTIL SECURE



ENSURE THAT THE SPEAKER IS ALWAYS CONNECTED TO THE RECEIVER OR AMPLIFIER + TO + AND - TO -

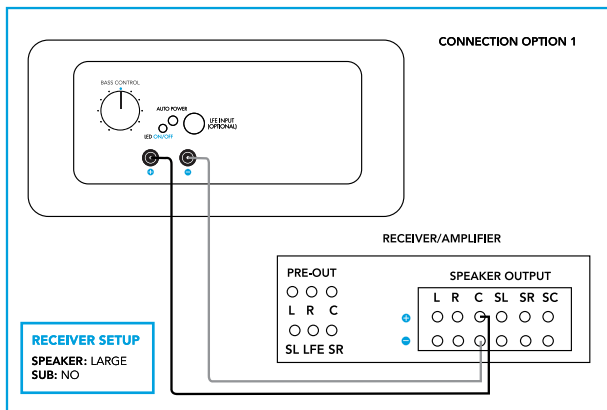
FIGURE 2 – Wiring and Polarity

Connection Options: Speaker-Level Only or Speaker-Level + LFE Connector

Use the manual speaker setup functions in your receiver or processor to set speaker configuration, speaker distance and channel balance. Consult your receiver/processor manual to learn how to access and use the setup menus. Use the settings called for in Figure 3.

Note: We recommend that you do not use your receiver's auto setup functions as they can be ineffective in setting up and adjusting speakers with integrated powered subwoofers.

Connection Option 1: Speaker-Level Only (recommended)



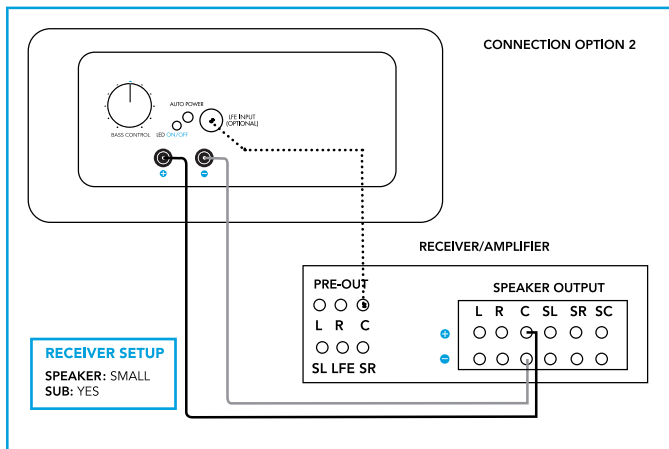
Option 1 offers an incredibly precise, full-range sound. The internal cross-over network distributes all frequencies to their intended drivers, and the integrated subwoofer works harmoniously with the mid-range array.

Directions:

- Connect speaker wire from receiver/amplifier to speaker level input on the back of the speaker
- Adjust receiver/processor settings to: Speaker (Large); Subwoofer (No)

FIGURE 3 – Speaker-Level Only Connection Diagram

Connection Option 2: Speaker-Level + LFE



Directions:

- Connect speaker wire from receiver/amplifier to speaker level input on the back of the speaker
- Connect RCA Cable from Center Channel Pre-Out on back of the receiver/processor to LFE Input on the back of the center channel
- Adjust receiver or processor settings to: Speaker (Small); Subwoofer (Yes)

FIGURE 4 – Speaker-Level + LFE Connector Connection Diagram

For those who demand greater customization, Option 2 gives you the ability to control the amount of low frequencies (those below the crossover point set in your receiver/processor) sent to the integrated subwoofer. Should you prefer Option 2, we highly recommend setting the crossover point in your receiver/processor to 80Hz or below to avoid disturbing the delicate blending between the subwoofer and midrange. In addition, careful balance between the subwoofer output level of your receiver and the bass control on the back of your speaker should be considered. We recommend starting with the bass control at 12 o'clock (as shown in Figure 4).

Powering the Active Subwoofer (CS9080 and CS9060 only)

For CS9080 and CS9060 owners, your BP9000 center channel speaker contains a integrated powered subwoofer designed to extend the frequency response and dynamic range of the center channel.

Your center channel should be plugged into an electrical socket to power the integrated subwoofer. To highlight the integrated powered subwoofers, you will see an LED "D." logo at the bottom front panel of each BP9000 center channel speaker. The CS9040 center channel uses a passive bass radiator and will receive All necessary power from your amplifier. This LED logo will default to "on" but can be completely disabled by simply pressing the LED ON/OFF button on the back of the loudspeaker. When enabled, the LED logo will engage only once it's receiving an active signal from your receiver/processor. It will automatically turn off/standby after 20 minutes of no active signal.

Note: *Do not connect the Low Level input to your receiver's LFE output. The center channel speakers are not designed to be a dedicated subwoofer.*

Intelligent Bass Control™

Definitive Technology has long believed that the best loudspeaker is one that reproduces a full-range audio signal as precisely as possible. Our sonic signature allows you to not just hear what is on the screen, but to feel it as well. Intelligent Bass Control™ (found on the CS9060 and CS9080 models only) gives you the ability to modulate deep bass up or down in level while simultaneously maintaining optimal mid-range clarity regardless of where the bass control is set. Simply rotate the dial on the back of the loudspeaker to your preferred bass setting and the speaker will do the rest. That's it. We recommend starting at the mid-point and adjust to your preference from there.

For advanced instructions on Intelligent Bass Control™ including integrating with room correction software (ex. Audyssey), please visit our website or give us a call.

	CS9040	CS9060	CS9080
SPECIFICATIONS			
DIMENSIONS	5.95" H x 20.75" W x 12" D (15.1 cm H x 52.7 cm W x 30.4 cm D)	5.95" H x 20.75" W x 12" D (15.1 cm H x 52.7 cm W x 30.4 cm D)	7" H x 23" W x 14.25" D (17.8 cm H x 58.4 cm W x 36.2 cm D)
PRODUCT WEIGHT	20 lbs.	26 lbs.	36 lbs.
DRIVER COMPLEMENT	(2) 4.5" (11.4 cm) drivers, (1) 1" (2.5 cm) aluminum dome tweeter	(2) 4.5" (11.4 cm) drivers, (1) 1" (2.5 cm) aluminum dome tweeter	(2) 5.25" (13.3 cm) drivers, (1) 1" (2.5 cm) aluminum dome tweeter
SUBWOOFER SYSTEMS DRIVER COMPLEMENT	(1) 8" (20.3 cm) bass radiator	(1) 8" (20.3 cm) woofer	(1) 8" (20.3 cm) woofer; (1) 10" (25.4 cm) bass radiator
FREQUENCY RESPONSE	50Hz-40kHz	50Hz-40kHz	24Hz-40kHz
SENSITIVITY	89dB SPL	91dB SPL	91dB SPL
IMPEDANCE	8 ohms	8 ohms	8 ohms
RECOMMENDED INPUT POWER	50-200W	50-300W	50-300W
NOMINAL POWER (1% THD, 5 SEC.)	none	150W	300W

Technical Assistance

It is our pleasure to offer assistance if you have any questions regarding your BP9000 or its setup. Please contact your nearest Definitive Technology dealer or call us directly at (800) 228-7148 (US & Canada), 01 (410) 363-7148 (all other countries) or e-mail info@definitivetech.com. Technical support is offered in English only.

Troubleshooting

If you experience any difficulties with your BP9000 center channel speakers, try the suggestions below. If you still have problems, contact your Definitive Technology Authorized Dealer for assistance.

1. Audible distortion when the speakers are playing at loud levels is caused by turning up your receiver or amplifier louder than the receiver or the speakers are capable of playing. Most receivers and amplifiers put out their full-rated power well before the volume control is turned all the way up, so the position of the volume control is a poor indicator of its power limit. If your speakers distort when you play them loud, turn the volume down!
2. If you experience a lack of bass, it is likely that one speaker is out of phase (polarity) with the other and needs to be rewired with closer attention to connecting positive to positive and negative to negative on both channels. Most speaker wire has some indicator (such as color-coding, ribbing or writing) on one of the two conductors to help you maintain consistency. It is essential to connect both speakers to the amplifier in the same way (in phase). You may also experience lack of bass if the bass volume knob is turned down or not on.
3. Make sure all your system interconnects and power cords are solidly in place.
4. Should you hear hum or noise coming from your speakers, try plugging the speakers' power cords into a different AC circuit than your amplifier.
5. The system has sophisticated internal protection circuitry. If for some reason the protection circuitry trips, turn off your system and wait five minutes before trying the system again. If the speakers' built-in amplifier should overheat, the system will turn off until the amplifier cools down and resets.
6. Check to be sure that your power cord has not been damaged.
7. Check that no foreign objects or liquid has entered the speaker cabinet.
8. If you cannot get the subwoofer driver to turn on or if no sound comes out and you are sure the system is set up properly, please bring the loudspeaker to your Definitive Technology Authorized Dealer for assistance; call first.

Definitive Technology Offices

1 Viper Way, Vista, CA 92081

Phone: (800) 228-7148 (US & Canada), 01 (410) 363-7148 (all other countries)

Service

Service and warranty work on your Definitive loudspeakers will normally be performed by your local Definitive Technology dealer. If, however, you wish to return the speaker to us, please contact us first, describing the problem and requesting authorization as well as the location of the nearest factory service center. Please note that the address given in this booklet is the address of our offices only. Under no circumstances should loudspeakers be shipped to our offices or returned without contacting us first and obtaining return authorization.

Limited Warranty:

5-Years for Drivers and Cabinets, 3-Years for Electronic Components

DEI Sales Co., dba Definitive Technology (herein “Definitive”) warrants to the original retail purchaser only that this Definitive loudspeaker product (the “Product”) will be free from defects in material and workmanship for a period of five (5) years covering the drivers and cabinets, and three (3) years for the electronic components from the date of the original purchase from a Definitive Authorized Dealer. If the Product is defective in material or workmanship, Definitive or its Authorized Dealer will, at its option, repair or replace the warranted product at no additional charge, except as set forth below. All replaced parts and Product(s) become the property of Definitive. Product that is repaired or replaced under this warranty will be returned to you, within a reasonable time, freight collect. This warranty is non-transferrable and is automatically void if the original purchaser sells or otherwise transfers the Product to any other party.

This Warranty does not include service or parts to repair damage caused by accident, misuse, abuse, negligence, inadequate packing or shipping procedures, commercial use, voltage in excess of the rated maximum of the unit, cosmetic appearance of cabinetry not directly attributable to defects in material or workmanship. This warranty does not cover the elimination of externally generated static or noise, or the correction of antenna problems or weak reception. This warranty does not cover labor costs or damage to the Product caused by installation or removal of the Product. Definitive Technology makes no warranty with respect to its products purchased from dealers or outlets other than Definitive Technology Authorized Dealer.

THE WARRANTY IS AUTOMATICALLY VOID IF:

- 1) The product has been damaged, altered in any way, mishandled during transportation, or tampered with.
- 2) The product is damaged due to accident, fire, flood, unreasonable use, misuse, abuse, customer applied cleaners, failure to observe manufacturers warnings, neglect or related events.
- 3) Repair or modification of the Product has not been made or authorized by Definitive Technology.
- 4) The product has been improperly installed or used.

Product must be returned (insured and prepaid), together with the original dated proof of purchase to the Authorized Dealer from whom the Product was purchased, or to the nearest Definitive factory service center. Product must be shipped in the original shipping container or its equivalent. Definitive is not responsible or liable for loss or damage to Product in transit.

THIS LIMITED WARRANTY IS THE ONLY EXPRESS WARRANTY THAT APPLIES TO YOUR PRODUCT. DEFINITIVE NEITHER ASSUMES NOR AUTHORIZES ANY PERSON OR ENTITY TO ASSUME FOR IT ANY OTHER OBLIGATION OR LIABILITY IN CONNECTION WITH YOUR PRODUCT OR THIS WARRANTY. ALL OTHER WARRANTIES, INCLUDING BUT NOT LIMITED TO EXPRESS, IMPLIED, WARRANTY OF MERCHANTABILITY OR FITNESS FOR A PARTICULAR PURPOSE, ARE EXPRESSLY EXCLUDED AND DISCLAIMED TO THE MAXIMUM EXTENT ALLOWED BY LAW. ALL IMPLIED WARRANTIES ON PRODUCT ARE LIMITED TO THE DURATION OF THIS EXPRESSED WARRANTY. DEFINITIVE HAS NO LIABILITY FOR ACTS OF THIRD PARTIES. DEFINITIVE'S LIABILITY, WHETHER BASED ON CONTRACT, TORT, STRICT LIABILITY, OR ANY OTHER THEORY, SHALL NOT EXCEED THE PURCHASE PRICE OF THE PRODUCT FOR WHICH A CLAIM HAS BEEN MADE. UNDER NO CIRCUMSTANCE WILL DEFINITIVE BEAR ANY LIABILITY FOR INCIDENTAL, CONSEQUENTIAL OR SPECIAL DAMAGES. THE CONSUMER AGREES AND CONSENTS THAT ALL DISPUTES BETWEEN THE CONSUMER AND DEFINITIVE SHALL BE RESOLVED IN ACCORDANCE WITH CALIFORNIA LAWS IN SAN DIEGO COUNTY, CALIFORNIA. DEFINITIVE RESERVES THE RIGHT TO MODIFY THIS WARRANTY STATEMENT AT ANY TIME.

Some states do not allow the exclusion or limitation of consequential or incidental damages, or implied warranties, so the above limitations may not apply to you. This warranty gives you specific legal rights, and you may also have other rights which vary from state to state.

©2016 DEI Sales Co. All rights reserved.

AVERTISSEMENTS DE SÉCURITÉ

FR



CAUTION! AVERTISSEMENT! Pour réduire le risque de choc électrique et de feu, n'enlevez pas le couvercle ou la plaque arrière de cet appareil. Il n'y a pas de pièce utilisable par l'utilisateur à l'intérieur. Veuillez consulter un technicien accrédité pour toute réparation. Avis: Risque de choc électrique, ne pas ouvrir.

AVERTISSEMENT! Le symbole international d'un éclair à l'intérieur d'un triangle est conçu pour alerter l'utilisateur d'une tension dangereuse non isolée à l'intérieur du caisson de l'appareil. Le symbole international d'un point d'exclamation à l'intérieur d'un triangle est conçu pour aviser l'utilisateur de la présence d'une information importante d'opération, de maintenance et de réparation dans le manuel qui accompagne l'appareil.

AVERTISSEMENT! Pour éviter les risques de chocs électriques, introduisez la lame la plus large de la fiche dans la fente la plus large de la prise et poussez jusqu'au fond.

AVERTISSEMENT! Pour éviter les risques de chocs électriques, n'exposez pas cet équipement à la pluie ou à l'humidité.

1. LISEZ LES INSTRUCTIONS — Toutes les instructions de sécurité et d'opération doivent être lues avant d'utiliser l'appareil.
2. CONSERVEZ LES INSTRUCTIONS — Les instructions de sécurité et d'opération doivent être conservées pour référence ultérieure.
3. TENEZ COMPTE DES AVERTISSEMENTS — Tous les avertissements sur cet appareil et dans les instructions d'opération doivent être suivis.
4. SUIVEZ LES INSTRUCTIONS — Toutes les instructions d'opération et de sécurité doivent être suivies.
5. EAU ET HUMIDITÉ — L'appareil ne doit jamais être utilisé dans ou près de l'eau car il y a risque de choc fatal.
6. AÉRATION — L'appareil doit toujours être placé de manière à être bien aéré. Il ne doit jamais être placé dans une installation intégrée ou dans tout endroit qui peut entraver le flux d'air à travers son puits thermique.
7. CHALEUR — Ne placez jamais l'appareil près de toute source de chaleur telle des appareils de chauffage, des grilles de soufflage, des poêles ou tout autre appareil produisant de la chaleur.
8. ALIMENTATION — L'appareil doit être connecté uniquement à une alimentation du type décrit dans les instructions d'opération ou tel qu'indiqué sur l'appareil.

9. PROTECTION DU CORDON D'ALIMENTATION — Les cordons d'alimentation doivent être acheminés de manière à ne pas être piétinés ou écrasés par des objets placés sur eux ou contre eux. Une attention spéciale doit être apportée aux endroits où la fiche entre dans une prise ou une bande dénudée et où le cordon sort de l'appareil.
10. NETTOYAGE — L'appareil doit être nettoyé selon les instructions du fabricant. Nous recommandons l'utilisation d'un rouleau adhésif ou d'un plumeau pour nettoyer le tissu protecteur.
11. PÉRIODES DE NON UTILISATION — L'appareil devrait être débranché lorsqu'il n'est pas utilisé pour une longue durée.
12. ENTRÉE DANGEREUSE — Portez attention à ce qu'aucun objet ou liquide ne tombe ou soit renversé à l'intérieur de l'appareil.
13. DOMMAGE NÉCESSITANT UNE RÉPARATION — L'appareil doit être réparé par un technicien agréé lorsque :
 - La fiche ou le cordon d'alimentation a été endommagé.
 - Des objets sont tombés ou un liquide a été renversé à l'intérieur de l'appareil.
 - L'appareil a été exposé à l'humidité.
 - L'appareil ne semble pas fonctionner correctement ou a un changement de performance.
 - L'appareil a été échappé ou le caisson est endommagé.
14. RÉPARATION — L'appareil doit toujours être réparé par un technicien agréé. Uniquement les pièces spécifiées par le fabricant doivent être utilisées. L'utilisation de pièces de substitutions non

ALIMENTATION

1. Le fusible et le dispositif de déconnexion de l'appareil sont situés à l'arrière du haut-parleur.
2. Le dispositif de déconnexion de l'appareil est le cordon d'alimentation, détachable du haut parleur ou du mur.
3. Le cordon d'alimentation doit être déconnecté du haut-parleur avant la réparation.

Ce symbole sur votre produit ou sur son emballage indique qu'il est interdit en Europe de le jeter dans des poubelles domestiques. Afin de vous assurer de jeter correctement le produit, veuillez le jeter selon les lois et règlements locaux régissant les appareils et équipements électriques. Ainsi, vous contribuerez à la conservation des ressources naturelles et à la promotion de la protection environnementale par le traitement et la l'élimination des déchets.



15

Nous sommes heureux que vous fassiez partie de notre famille Definitive Technology.

Veillez prendre quelques minutes pour enregistrer votre produit* afin que nous ayons un dossier complet de votre achat. Ainsi, nous pourrions mieux vous servir dans le futur. Cela nous permet également de vous contacter pour toute question de réparation ou de garantie (si nécessaire)

Enregistrez le produit à : <http://www.definitivetechnology.com/registration>

Vous n'avez pas Internet? Téléphonnez au service à la clientèle

Lundi au vendredi 9:h30 à 18 h É.-U. HE au 800-228-7148 (É.-U. et Canada), 01-410-363-7148 (et tous les autres pays)

Note: les données que nous recueillons lors de l'enregistrement en ligne ne sont jamais vendues ou partagées à des tierces parties.

**Le numéro de série se retrouve à l'endos du manuel*

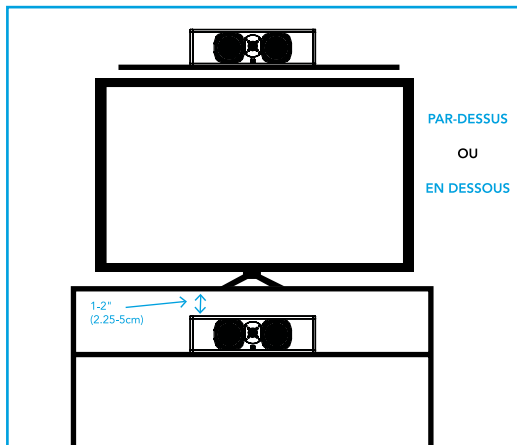
Déballer votre haut-parleur CS9000

Veillez déballer soigneusement votre enceinte de canal centrale BP9000. Nous vous recommandons de conserver toutes les boîtes et le matériel d'emballage, en cas de déménagement ou d'expédition de votre système. Il est important de conserver ce livret car il contient le numéro de série du produit. Vous pouvez aussi trouver le numéro de série à l'arrière de votre enceinte de canal centrale BP9000. Chaque haut-parleur quitte notre usine dans une condition parfaite. Tout dommage visible ou caché a probablement été causé lors de la manipulation, après que le produit ait quitté notre usine. Si vous découvrez tout dommage causé par l'expédition, veuillez aviser votre vendeur Definitive Technology ou l'entreprise qui a livré votre haut-parleur.

Accessories Included:

1. Cordon d'alimentation:

- É.-U. - Qté (1) pour les modèles CS9080 et CS9060
- É.-U. /R.-U. - Qté (2) pour les modèles CS9080 et CS9060



Positionner votre haut-parleur

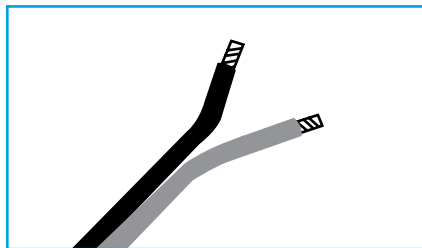
Votre enceinte de canal central BP9000 est conçue pour livrer une immense clarté et se concentrer sur la gamme vocale et pour reproduire précisément le contenu le plus exigeant. Pour optimiser ses performances, veuillez suivre ces consignes simples. Bien que les recommandations suivantes devraient vous apporter les meilleurs résultats, toutes les pièces et les installations d'écoute sont différentes, alors n'hésitez pas à expérimenter avec l'emplacement de votre haut-parleur. Ce qui sonne le mieux pour vous est ce qui convient.

FIGURE 1 | Positionnement du haut-parleur BP9000 pour canal central

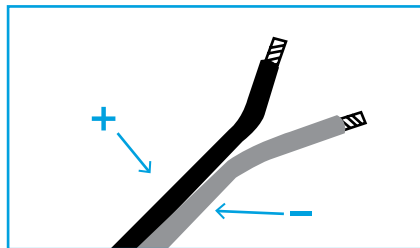
NOTE: VEUILLEZ VOUS ASSURER QUE TOUTE TABLETTE UTILISÉE POUR LE CANAL CENTRAL EST COTÉE POUR SOUTENIR CORRECTEMENT UN MINIMUM DE 36LBS

- UN HAUT-PARLEUR POUR CANAL CENTRAL DOIT ÊTRE POSITIONNÉ AINSI QU'IL EST POSSIBLE AU CENTRE DE VOTRE ÉCRAN SANS OBSTRUER LA VUE.
- POUR PROFITER AU MAXIMUM DES AVANTAGES DES RADIATEURS DE FRÉQUENCES BASSES INTÉGRÉS À VOTRE HAUT-PARLEUR POUR CANAL CENTRAL, LAISSEZ UN MINIMUM DE 1-2 PO (2,5-5 CM) D'ESPACE ENTRE LE DESSUS DU HAUT-PARLEUR ET TOUTE SURFACE

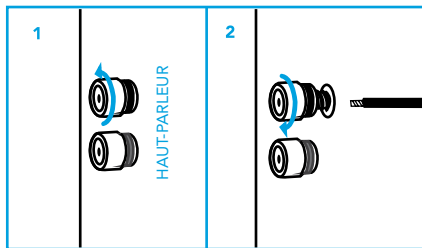
Connecter vos haut-parleurs



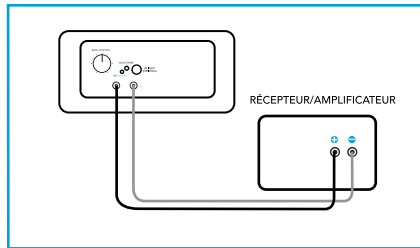
DÉNUDEZ LE CÂBLE DE 1/4 PO (6 MM)



1. MARQUEZ LE CÂBLE AVEC DES SIGNES +/-
2. APPLIQUEZ LES FICHES BANANES ET LES COSSES RECTANGULAIRES À CE MOMENT, SI APPLICABLE



1. DÉVISSEZ LE JEU DU BAS DE LA BORNE DE RACCORDEMENT ET CONNECTEZ LE CÂBLE
2. SERREZ JUSQU'À CE QUE FIXÉ



ASSUREZ-VOUS QUE LE HAUT-PARLEUR SOIT TOUJOURS CONNECTÉ AU RÉCEPTEUR OU AMPLIFICATEUR + À + ET - À -

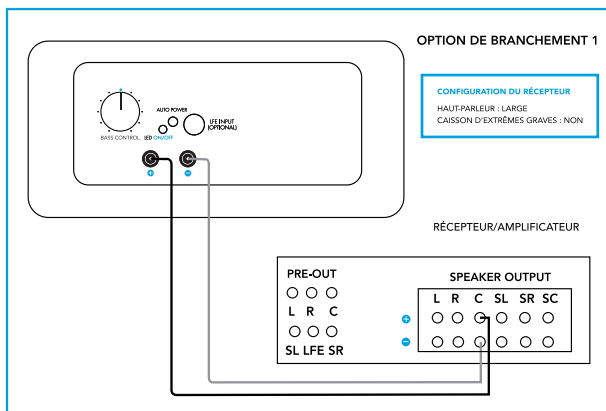
FIGURE 2 – Câblage et polarité

Options de connexion : niveau du haut-parleur uniquement ou niveau du haut-parleur uniquement + connecteur LFE

Utilisez les fonctions de réglage manuel du haut-parleur dans votre récepteur ou votre processeur pour régler la configuration du haut-parleur, la distance du haut-parleur et la balance des canaux. Consultez le manuel de votre récepteur/processeur pour savoir comment accéder et utiliser les menus de configuration. Utilisez le paramètre indiqué à la figure 3.

Note: nous vous recommandons de ne pas utiliser les fonctions d'autoréglage de votre récepteur car elles peuvent être inefficaces dans le réglage et l'ajustement des haut-parleurs avec des caissons des graves intégrés.

Option 1 de connexion : niveau du haut-parleur uniquement (recommandé)



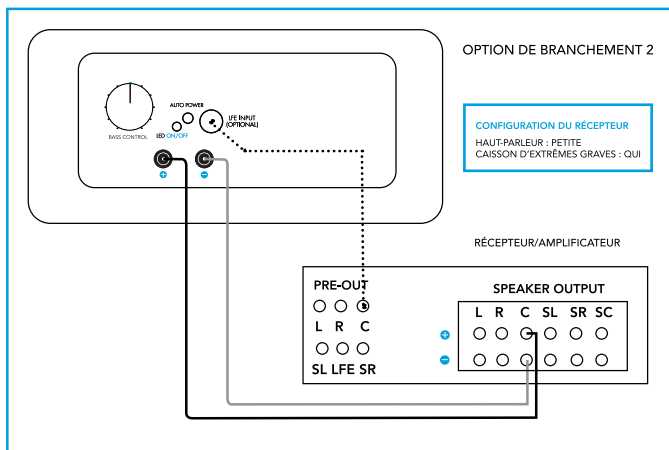
L'option 1 offre une précision incroyable et une gamme complète de son. Le réseau croisé interne distribue toutes les fréquences aux pilotes désignés et au caisson des graves intégré qui fonctionnent harmonieusement avec la gamme du milieu.

Instructions:

- Connectez le câble du haut-parleur du récepteur/ amplificateur au point d'entrée du haut-parleur, à l'arrière de celui-ci.
- Ajustez le réglage du récepteur/ amplificateur à : Haut-parleur (grand); caisson des graves(non)

FIGURE 3 – Diagramme de connexion du niveau du haut-parleur

Option 2 de connexion : niveau du haut-parleur + LFE



Mode d'emploi:

- Connectez le câble du haut-parleur de récepteur/amplificateur à l'entrée du niveau du haut-parleur à l'arrière de votre haut-parleur.
- Connectez le câble RCA de la pré-sortie de l'enceinte centrale à l'arrière du récepteur/ processeur à l'entrée LFE à l'arrière de l'enceinte centrale.
- Ajustez les paramètres du récepteur ou processeur à : haut-parleur (petit); Caisson des graves (oui)

FIGURE 4 – Niveau du haut-parleur + schéma du connecteur LFE

Pour ceux qui exigent une plus grande consommation, l'option 2 vous permet de contrôler la qualité des basses fréquence (celles sous le point de croisement réglé dans votre récepteur/processeur) envoyées au caisson des graves intégré. Si vous préférez l'option 2, nous vous recommandons fortement de régler le point de croisement dans votre récepteur/processeur à 80 Hz ou moindre pour éviter de déranger le mélange délicat entre le caisson des graves et le gamme du milieu. De plus, équilibrez soigneusement entre le niveau de sortie du caisson des graves de votre récepteur et le contrôle des basses à l'arrière de votre haut-parleur doit être considéré. Nous recommandons de commencer avec le contrôle des basse à 12 heures. (Tel qu'illustré à la figure 4.)

Alimenter le caisson actif des basses (CS9080 et CS9060 uniquement)

Pour les propriétaires de CS9080 et de CS9060, votre enceinte centrale BP9000 comprend un caisson des graves intégré, conçu pour étendre la courbe de fréquence et la gamme dynamique de l'enceinte centrale.

Ainsi, votre enceinte centrale doit être connectée dans une prise électrique, afin d'alimenter le caisson des graves intégré. Pour allumer vos caissons des graves intégrés, vous remarquerez un logo « DEL » au bas du panneau frontal de chaque enceinte centrale BP9000. L'enceinte centrale BP9000 utilise un radiateur passif et recevra le courant de votre amplificateur. Ce logo passera à « ON » mais il peut être désactivé complètement, en appuyant simplement sur le bouton DEL ON/OFF, à l'arrière de votre haut-parleur. Lorsque désactivé, le logo DEL s'enclenchera uniquement lorsqu'il recevra un signal de votre récepteur/processeur. Il s'éteindra/en attente, automatiquement, après 20 minutes d'aucun signal actif.

Note: ne déconnectez pas l'entrée de bas niveau de votre sortie LFE du récepteur. Les haut-parleurs de l'enceinte centrale ne sont pas conçus pour servir de caisson des basses dédiées.

Intelligent Bass Control™

Definitive Technology croit depuis longtemps que le meilleur haut-parleur est celui qui reproduit une vaste gamme de signal audio, le plus précisément possible. Notre signature sonore vous permet, non seulement d'entendre ce qui est à l'écran, mais également de le ressentir. Intelligent Bass Control™ (uniquement sur les modèles CS9060 et CS9080) vous permet de moduler les basses profondes, en volume haut ou bas, et simultanément, de garder la clarté des gammes du milieu, optimale, qu'importe comment la basse est réglée. Tournez simplement le cadran à l'arrière de votre haut-parleur, placez à votre réglage préféré et le haut-parleur fera le reste. C'est tout. Nous recommandons de commencer au point médian et d'ajuster à votre goût, à partir de là.

Pour des instructions élaborées sur Intelligent Bass Control™, incluant l'intégration avec le logiciel de correction de la pièce (par exemple : Audyssey), veuillez visiter notre site Web ou téléphonez-nous.

	CS9040	CS9060	CS9080
SPECIFICATIONS			
DIMENSIONS	5.95" H x 20.75" W x 12" D (15.1cm H x 52.7cm W x 30.4 cm D)	5.95" H x 20.75" W x 12" D (15.1cm H x 52.7cm W x 30.4 cm D)	7" H x 23" W x 14.25" D (17.8cm H x 58.4cm W x 36.2 cm D)
POIDS DU PRODUIT	20 lbs.	26 lbs.	36 lbs.
COMPLÉMENT DU PILOTE	(2) 4.5" (11.4 cm) pilotes, (1) 1" (2.5 cm) Twitter à dôme en aluminium	(2) 4.5" (11.4 cm) pilotes, (1) 1" (2.5 cm) Twitter à dôme en aluminium	(2) 5.25" (13.3") pilotes, (1) 1" (2.5 cm) Twitter à dôme en aluminium
PILOTE DES SYSTÈMES DU CAISSON DES BASSE	(1) 10" (25.4 cm) radiateur des basses	(1) 8" (20.3cm) haut- parleur des graves;	(1) 8" (20.3cm) hautparleur des graves; (1) 10" (25.4 cm) radiateur des basses
COURBE DE RÉSONNANCE	50Hz-40kHz	50Hz-40kHz	24Hz-40kHz
SENSIBILITÉ	89dB SPL	91dB SPL	91dB SPL
IMPÉDANCE NOMINALE	8 ohms	8 ohms	8 ohms
PUISSANCE D'ENTRÉE RECOMMANDÉE	50-200W	50-300W	50-300W
PUISSANCE D'AMPLIFICATION INTERNE	accune	150W	300W

Assistance technique

Il nous fera plaisir de vous offrir de l'aide pour toute question au sujet du BP9000 ou de ses réglages. Veuillez contacter le marchand Definitive Technology, le plus près de chez-vous, ou téléphonez-nous directement au : 800-228-7148 (É.-U. et Canada), 01-410-363-7148 (pour tous les autres pays) ou par courriel : info@definitivetech.com. Le support technique est offert uniquement en anglais.

Dépannage

Si vous éprouvez des difficultés avec vos enceintes centrales BP9000, essayez les suggestions cidessous. Si vous éprouvez toujours des problèmes, contactez votre marchand autorisé Definitive Technology pour obtenir de l'aide.

1. La distorsion audible, lorsque les haut-parleurs sont à volume élevé, est causée parce que vous placez votre récepteur ou amplificateur plus fort que le récepteur ou que ce que les haut-parleurs sont capables de jouer. La plupart des récepteurs et des amplificateurs sortent leur puissance maximale avant que le contrôle du volume ne soit placé au plus haut, alors la position du contrôle du volume est un faible indicateur de sa limite de puissance. Si vos haut-parleurs font de la distorsion lorsque vous les faites jouer fort, baissez le volume!
2. Si vous éprouvez un manque des basses, c'est probablement qu'un haut-parleur est déphasé (polarité) avec l'autre et il doit être câblé de nouveau, avec plus d'attention, pour connecter le positif et le positif, le négatif et le négatif, sur les deux canaux. La plupart des câbles de haut-parleurs possèdent quelques indicateurs tels que: code de couleur, friction ou écrit) sur un des deux conducteurs, pour vous aider à maintenir la consistance. Il est essentiel de connecter de la même manière, les deux haut-parleurs à l'amplificateur (en phase). Vous pourriez également éprouver un manque de basse si le bouton du volume des basses est placé bas ou n'est pas allumé.
3. Assurez-vous que tout votre système soit interconnecté et que vos cordons d'alimentation soient solidement en place.
4. Si vous entendez un hum ou un bruit venant de vos haut-parleurs, tentez de connecter les câbles d'alimentation des haut-parleurs dans un autre circuit CA.
5. Le système possède un circuit de protection interne sophistiqué. Si, pour toute raison, le circuit de protection fait défaut, éteignez votre système et attendez cinq minutes avant de le rallumer. Si l'amplificateur intégré des haut-parleurs surchauffe, le système s'éteindra jusqu'à ce que l'amplificateur refroidisse et se réinitialise.
6. Vérifiez pour vous assurer que le cordon d'alimentation n'est pas endommagé.
7. Vérifiez qu'il n'y a pas d'objet étranger ou de liquide, à l'intérieur du caisson du haut-parleur.
8. Si vous ne pouvez allumer le pilote du caisson des graves ou si aucun son ne sort et que vous êtes certain que votre système est réglé adéquatement, veuillez apporter votre haut-parleur à votre marchand autorisé Definitive Technology pour obtenir de l'aide; veuillez téléphoner d'abord.

Bureaux de Definitive Technology

1 Viper Way, Vista, CA 92081

Téléphone : 800-228-7148 (É.-U. et Canada), 01-410-363-7148 (pour tous les autres pays)

Réparation

La réparation et la garantie de vos haut-parleurs Definitive seront normalement traités par votre marchand local Definitive Technology. Cependant, si vous voulez nous retourner le haut-parleur, veuillez d'abord nous téléphoner pour nous décrire le problème, pour demander une autorisation, et l'emplacement du centre de service de l'usine le plus près. Veuillez noter que l'adresse inscrite dans ce livret est uniquement l'adresse de nos bureaux. Les haut-parleurs ne doivent, en aucun cas, être expédiés à nos bureaux ou retournés sans d'abord nous contacter pour obtenir une autorisation de retour.

Garantie limitée

5 ans pour les pilotes et les caissons, 3 ans pour les composants électroniques

DEI Sales Co., dba Definitive Technology (aux présentes, Definitive) garantit à l'acheteur original uniquement, que ce haut-parleur Definitive (le Produit) sera sans défaut de matériau et de fabrication, pendant une période de cinq (5) ans couvrant les pilotes et les caissons, et trois (3) ans pour les composants électroniques, à compter de la date d'achat originale, d'un marchand Definitive autorisé. Si le Produit est défectueux de matériau ou de fabrication, Definitive ou son marchand autorisé, fera, à sa discrétion, réparer ou remplacera le Produit garanti, sans frais supplémentaire, sauf pour les raisons mentionnées ci-dessous. Toutes les pièces remplacées et les Produits deviennent la propriété de Definitive. Le Produit qui est réparé ou remplacé sous cette garantie vous sera retourné, dans un délai raisonnable, port dû. Cette garantie est non transférable et est annulée automatiquement si l'acheteur original vend, ou autrement, transfère le Produit à une autre partie. Cette garantie n'inclut pas la réparation ou les pièces pour réparer les dommages causés par accident, mauvaise utilisation, abus, négligence, emballage inadéquat ou mauvais moyen d'expédition, utilisation commerciale, tension excessive de la tension maximale évaluée pour l'appareil, apparence cosmétique du caisson non attribuable directement aux défauts de matériau ou de fabrication. Cette garantie ne couvre pas l'élimination de la statique ou du bruit générés extérieurement, la correction de problèmes d'antenne ou une faible réception. Cette garantie ne couvre pas les coûts de la main-d'oeuvre ou les dommages au Produit causés par l'installation ou le retrait du Produit. Definitive Technology ne garantit pas les Produits achetés des marchands ou des points de vente, autres que les marchands autorisés Definitive Technology

CETTE GARANTIE EST AUTOMATIQUEMENT ANNULÉE SI:

- 1) Le Produit a été endommagé, altéré de toute manière, mal manipulé pendant le transport ou trafiqué.
- 2) Le Produit est endommagé dû à un accident, un feu, une inondation, une utilisation déraisonnable, une mauvaise utilisation, un abus, des produits nettoyants appliqués par le client, le défaut d'observer les avertissements des fabricants, la négligence ou des événements liés.
- 3) La réparation ou la modification du Produit n'a pas été faite ou autorisée par Definitive Technology.
- 4) Le Produit n'a pas été installé ou utilisé correctement.

Le produit doit être retourné (assuré et prépayé) avec la preuve d'achat original datée au détaillant autorisé où le Produit a été acheté ou au centre de service Definitive le plus près. Le Produit doit être expédié dans le contenant d'expédition original ou un équivalent. Definitive n'est pas responsable de toute perte ou de tout dommage causé au Produit en transit.

LA GARANTIE LIMITÉE EST LA SEULE GARANTIE EXPRESSE QUI S'APPLIQUE À VOTRE PRODUIT. DEFINITIVE N'ASSUME NI N'AUTORISE TOUTE PERSONNE OU ENTITÉ À ASSUMER EN SON NOM TOUTE OBLIGATION OU RESPONSABILITÉ EN LIEN AVEC VOTRE PRODUIT OU CETTE GARANTIE. TOUTE AUTRE GARANTIE, INCLUANT MAIS NE S'Y LIMITANT PAS, EXPRESSE, IMPLICITE, GARANTIE DE COMMERCIALISATION OU D'ADAPTATION À UNE FIN PARTICULIÈRE, SONT EXPRESSÉMENT EXCLUES DANS LES LIMITES MAXIMALES PERMISES PAR LA LOI. TOUTES LES GARANTIES TACITES DU PRODUIT SONT LIMITÉES À LA DURÉE DE CETTE GARANTIE EXPRESSE. DEFINITIVE N'A AUCUNE RESPONSABILITÉ POUR LES ACTES DES TIERS PARTIE. LA RESPONSABILITÉ DE DEFINITIVE, QU'ELLE SOIT BASÉE SUR UN CONTRAT, UN DÉLIT, UNE RESPONSABILITÉ STRICTE, OU TOUTE AUTRE THÉORIE, NE DOIT PAS DÉPASSER LE PRIX D'ACHAT DU PRODUIT QUI FAIT L'OBJET D'UNE RÉCLAMATION. EN AUCUN CAS, DEFINITIVE N'ASSUME LA RESPONSABILITÉ ACCESSOIRE, CONSÉCUTIVE OU LES DOMMAGES SPÉCIAUX. LE CLIENT ACCEPTE ET CONSENT QUE TOUTE DISPUTE ENTRE LE CLIENT ET DÉFINITIVE SERA RÉGLÉ SELON LES LOIS DE LA CALIFORNIE, DANS LE COMTÉ DE SAN DIEGO, EN CALIFORNIE. DEFINITIVE SE RÉSERVE LE DROIT DE MODIFIER CETTE DÉCLARATION DE GARANTIE EN TOUT TEMPS.

Certains États ne permettent pas l'exclusion ou la limitation de dommages accessoires ou consécutifs, ou les garanties tacites, alors les limites ci-dessous peuvent ne pas s'appliquer à vous. Cette garantie vous accorde des droits juridiques et il est possible que vous ayez également d'autres droits qui varient d'un État à un autre.

©2016 DEI Sales Co. Tous droits réservés

PRECAUCIONES DE SEGURIDAD



¡PRECAUCIÓN! Para reducir el riesgo de choque eléctrico e incendio, no retire la cubierta ni la placa posterior de este dispositivo. No hay piezas que el usuario pueda reparar. Consulte todas las reparaciones a efectuar con técnicos de servicio autorizados. Avis: Risque de choc électrique, ne pas ouvrir.

¡PRECAUCIÓN! El símbolo internacional de un rayo dentro de un triángulo pretende alertar al usuario de que existe un "voltaje peligroso" en el interior del dispositivo. El símbolo internacional de un signo de exclamación dentro de un triángulo pretende alertar al usuario de la presencia de información importante sobre el funcionamiento, mantenimiento y reparación en el manual que acompaña al dispositivo.

¡PRECAUCIÓN! Para evitar descargas eléctricas, haga coincidir la pala ancha del enchufe con la ranura más amplia e introdúzcala hasta el fondo. Attention: Pour éviter les chocs électriques, introduire la lame la plus large de la fiche dans la borne correspondante de la prise et pousser jusqu'au fond.

¡PRECAUCIÓN! Para reducir el riesgo de descarga eléctrica, no exponga este equipo a la lluvia o la humedad.

1. LEA LAS INSTRUCCIONES—Debería leer todas las instrucciones de seguridad y funcionamiento antes de utilizar el dispositivo.
2. GUARDE LAS INSTRUCCIONES—Las instrucciones de seguridad y operación deben conservarse para futuras referencias.
3. ADVERTENCIAS—Debería hacer caso de todas las advertencias sobre el aparato presentes en las instrucciones de operación.
4. SIGA LAS INSTRUCCIONES—Se deben seguir todas las instrucciones de funcionamiento y seguridad.
5. AGUA Y HUMEDAD—El dispositivo no debe usarse nunca en, sobre o cerca del agua para evitar el riesgo de una descarga fatal.
6. VENTILACIÓN—El dispositivo siempre se debe colocar de tal manera que mantenga una ventilación adecuada. Nunca debe colocarse en una instalación integrada o en cualquier otro lugar que impida el flujo de aire a través de su disipador de calor.
7. CALOR—Nunca coloque el aparato cerca de fuentes de calor tales como radiadores, suelo radiante, estufas u otros aparatos generadores de calor.
8. FUENTE DE ALIMENTACIÓN—El aparato sólo se debe conectar a una fuente de alimentación del tipo descrito en las instrucciones de funcionamiento o como se indica en el dispositivo.

9. PROTECCIÓN DEL CABLE DE ALIMENTACIÓN—Los cables de alimentación deben colocarse de forma que reduzcan la posibilidad de ser pisados o aplastados por objetos colocados sobre ellos o contra ellos. Se debe prestar especial atención a las zonas donde el enchufe entra en una toma de corriente o empalme y donde el cable salga del aparato.
10. LIMPIEZA—El dispositivo debe limpiarse de acuerdo con las instrucciones del fabricante. Se consiiglia di utilizzare un rullo antipeluchi o uno spolverino da casa come panno per le griglie.
11. PERIODOS DE NO USO—El dispositivo debe desconectarse si no se usa durante periodos largos de tiempo.
12. ACCESOS PELIGROSOS—Se debe tener cuidado de que no se caigan o derramen objetos extraños o líquidos en el interior del dispositivo.
13. DAÑOS QUE REQUIERAN SERVICIO TÉCNICO—El dispositivo debe ser reparado por técnicos autorizados cuando:
 - El cable de corriente o la fuente de alimentación hayan sido dañados.
 - Se hayan caído objetos o se haya derramado líquido en el interior del dispositivo.
 - El dispositivo haya sido expuesto a la humedad.
 - El dispositivo parezca no funcionar correctamente o muestre un acusado cambio de rendimiento.
 - El dispositivo se haya caído o su exterior esté dañado.
14. SERVICIO TÉCNICO—El dispositivo siempre debe ser reparado por técnicos autorizados. Sólo se deben usar las piezas de repuesto especificadas por el fabricante. El uso de repuestos no autorizados puede provocar incendios, descargas eléctricas u otros peligros.

Fuente de alimentación

1. El fusible y el dispositivo de desconexión de alimentación se encuentran en la parte posterior del altavoz.
2. El dispositivo de desconexión es el cable de alimentación, que se puede desconectar del altavoz o de la pared.
3. El cable de alimentación se debe desconectar del altavoz antes de realizar operaciones de servicio técnico.



Este símbolo en nuestros productos* eléctricos o en su embalaje indica que está prohibido en Europa desechar el producto en cuestión como basura doméstica. Con el fin de garantizar que se deshaga de los productos correctamente, le rogamos que los trate de acuerdo con las leyes y reglamentos locales sobre la eliminación de equipos eléctricos y electrónicos. Al hacerlo, usted estará contribuyendo a la conservación de los recursos naturales y la promoción de la protección del medio ambiente a través del tratamiento y eliminación de residuos electrónicos.

Nos complace que ya forme parte de nuestra familia Definitive Technology.

Por favor, tómese unos minutos para registrar su producto de modo que dispongamos de un registro completo de su compra. Hacerlo nos ayuda a servirle

lo mejor que podemos, tanto ahora como en el futuro. También nos permite contactar con usted para cualquier reparación o alerta de garantía (si es necesario).

Regístrese aquí: <http://www.definitivetechology.com/registration>

¿No tiene internet? Llame a Atención al Cliente

M-F 9:30 a.m. - 6 p.m. ET EE. UU. al (800) 228-7148 (EE. UU. y Canadá), 01 (410) 363-7148 (resto de países)

Nota: los datos que recopilamos durante el registro en línea no se venden ni se distribuyen a terceros.

** El número de serie se puede encontrar en la parte posterior del manual*

Desembalaje del altavoz CS9000

Por favor, desembale el altavoz de canal central BP9000 con cuidado. Recomendamos guardar todos los envases de cartón y materiales de embalaje en caso de que se mude o necesite empaquetar su producto. Es importante guardar este manual, ya que contiene el número de serie de su producto. También puede encontrar el número de serie en la parte posterior del altavoz de canal central BP9000. Cada altavoz sale de nuestra fábrica en perfecto estado. Es probable que cualquier daño visible o encubierto se produzca durante la manipulación y envío tras salir de nuestra fábrica. Si usted descubre cualquier daño a causa del envío, por favor indíquese a su distribuidor de Definitive Technology o a la empresa que le entregó su altavoz.

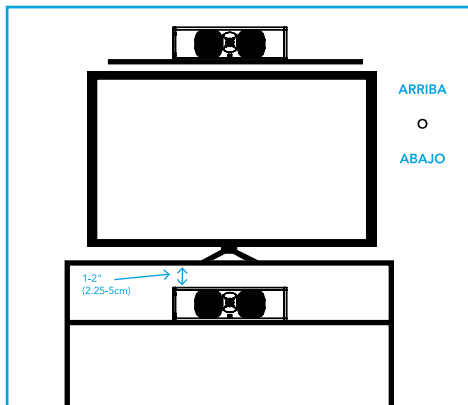


FIGURA 1| Ubicación del Altavoz de Canal Central BP9000

NOTA: VERIFIQUE QUE CUALQUIER ESTANTE QUE UTILICE PARA EL CANAL CENTRAL SEA ADECUADO PARA SOPORTAR AL MENOS 36LBS

- EL ALTAVOZ DE CANAL CENTRAL DEBE COLOCARSE LO MÁS CENTRADO POSIBLE EN RELACIÓN A SU PANTALLA SIN QUE OBSTRUYA LA VISIÓN.
- PARA APROVECHAR AL MÁXIMO LOS RADIADORES DE BAJOS INTEGRADOS A SU CS SPEAKER DEJE AL MENOS 1-2" (2,5 A 5 CM) DE ESPACIO ENTRE LA PARTE SUPERIOR DEL ALTAVOZ Y CUALQUIER OTRA SUPERFICIE.

Accesorios incluidos:

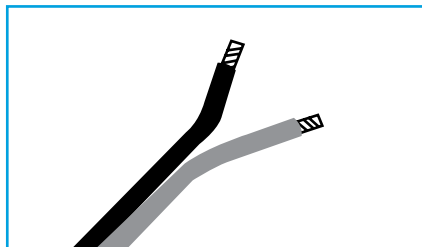
1. Cable de alimentación:

- EE. UU. - Cantidad (1) para los modelos CS9060 y CS9080
- EU/UK - Cantidad (2) para los modelos CS9060 y CS9080

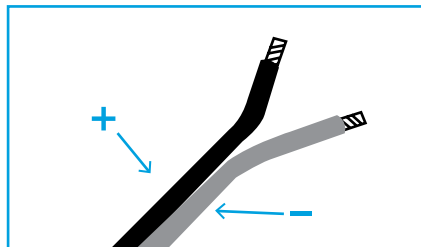
Colocación de los altavoces

Su altavoz de canal central BP9000 está diseñado para ofrecer una inmensa claridad y foco del rango vocal y reproducir con precisión incluso el contenido más exigente. Para optimizar su rendimiento, por favor, siga estas sencillas instrucciones. Aunque las siguientes recomendaciones suelen proporcionar los mejores resultados, todas las configuraciones de sala y escucha son diferentes, por lo que no dude en experimentar con la ubicación de los altavoces. Lo que mejor le suene

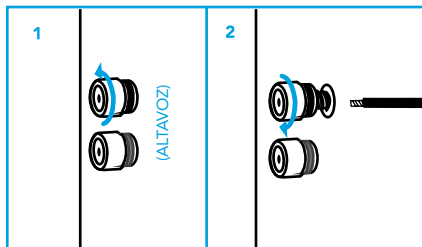
Conexión de sus altavoces



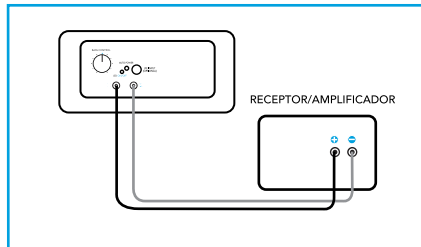
DIVIDA SU CABLE DE 1/4" (6 MM)



1. IDENTIFIQUE LAS MARCAS EN EL CABLE Y ASIGNE +/-
2. APLIQUE CONECTORES BANANA O DE PALA EN ESTE PUNTO SI PROCEDE



1. DESENROSCUE LA PARTE INFERIOR DEL CONECTOR Y CONECTE EL CABLE
2. APRIETE HASTA ASEGURAR



ASEGÚRESE DE QUE EL ALTAVOZ SIEMPRE ESTÉ CONECTADO AL RECEPTOR O AMPLIFICADOR + A + Y - A -

FIGURA 2 | Cableado y polaridad

Opciones de conexión: Sólo a nivel de altavoz o a nivel de altavoz + conector LFE

Utilice las funciones de configuración manual de los altavoces en su receptor o procesador para establecer la configuración de altavoces, distancia de los mismos y balance de canal. Consulte el manual del receptor/procesador para aprender a acceder a los menús de configuración y utilizarlos. Utilice los ajustes solicitados en la figura 3.

Nota: Le recomendamos que no utilice las funciones de configuración automática de su receptor, ya que pueden ser ineficaces a la hora de crear y ajustar los altavoces con subwoofers activos integrados.

Opción de conexión 1: Sólo a nivel de altavoz (recomendado)

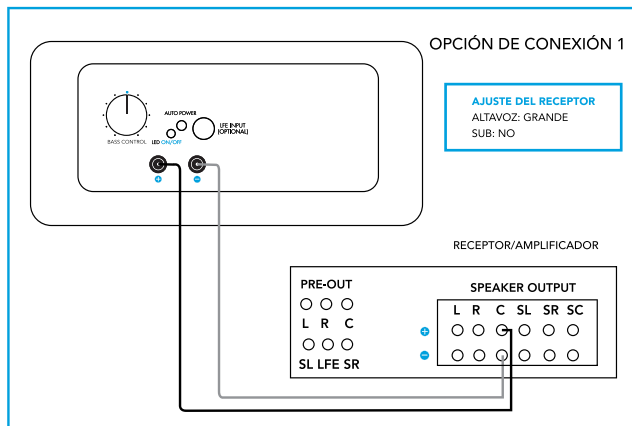


FIGURA 3 – Diagrama de conexión sólo a nivel de altavoz únicamente

La opción 1 ofrece un sonido increíblemente preciso de rango completo. La red cruzada interna distribuye todas las frecuencias a sus conductores destinados, y el subwoofer integrado trabaja armoniosamente con la matriz de rango medio.

Instrucciones:

- Conecte el cable del altavoz del receptor/amplificador a la entrada de altavoz en la parte posterior del mismo
- Ajuste la configuración de receptor/procesador a: Altavoz (grande); Subwoofer (no)

Opción de conexión 2: Nivel de altavoz + LFE

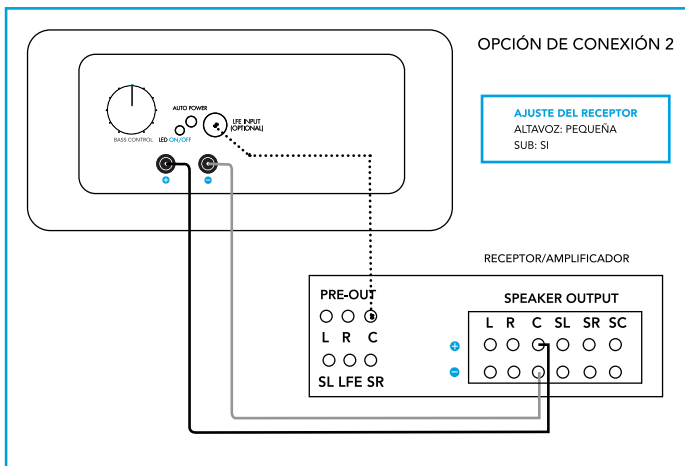


FIGURA 4 – Diagrama de nivel del altavoz + conector LFE

Instrucciones:

- Conecte el cable del altavoz del receptor/amplificador a la entrada de altavoz en la parte posterior del mismo
- Conecte el cable RCA del Pre-Out del Canal Central en la parte posterior del receptor/procesador a la entrada LFE de entrada en la parte posterior del canal central
- Ajuste la configuración del receptor o procesador a: Altavoz (pequeño); Subwoofer (sí)

Para los que exigen una mayor personalización, la opción 2 da la capacidad de controlar la cantidad de frecuencias de bajos (aquellas por debajo del punto de corte establecido en su receptor/procesador) enviadas al subwoofer integrado. Si prefiere la opción 2, recomendamos encarecidamente fijar el punto de cruce en su receptor/procesador a 80 Hz o inferior para evitar entorpecer la delicada mezcla entre el subwoofer y la gama media. Además, debe balancear cuidadosamente el nivel de salida del subwoofer de su receptor y el control de graves en la parte posterior de su altavoz. Se recomienda comenzar con el control de graves en las 12 en punto (como se muestra en la figura 4).

Alimentar le caisson actif des basses (CS9080 et CS9060 uniquement)

Para propietarios de CS9080 y CS9060, su altavoz de canal central BP9000 contiene un subwoofer integrado diseñado para ampliar la frecuencia de respuesta y el rango dinámico del canal central.

De ese modo, el canal central debe estar conectado a una toma de corriente con el fin de alimentar al subwoofer integrado. Para poner de relieve los subwoofers activos integrados, podrá ver un logotipo con LED y una "D" en la parte frontal inferior de cada altavoz de canal central BP9000. El canal central CS9040 utiliza un radiador de graves pasivo y recibirá la energía de su amplificador. Este logotipo está encendido por defecto, pero puede desactivarse por completo simplemente pulsando el botón LED ON/OFF en la parte posterior del altavoz. Cuando está activado, el logotipo LED sólo se activará una vez, al recibir una señal activa de su receptor/procesador. Se apagará/suspenderá automáticamente después de 20 minutos sin señal activa.

Nota: No conecte la entrada de bajo nivel a la salida LFE de su receptor. Los altavoces de canal central no están diseñados para trabajar como subwoofers dedicados.

Intelligent Bass Control™

Durante mucho tiempo, Definitive Technology ha creído que el mejor altavoz es aquel que reproduce una señal de audio de rango completo con la mayor precisión posible. Nuestra firma sónica le permite no sólo escuchar lo que hay en pantalla, sino sentirlo vivo. Intelligent Bass Control™ (solo disponible en los modelos CS9060 y CS9080) le da la capacidad de modular graves profundos a su antojo en el nivel de volumen, manteniendo al mismo tiempo una óptima claridad de gama media, independientemente de dónde ajuste los bajos. Simplemente Para obtener instrucciones avanzadas sobre Intelligent Bass Control™, incluyendo la integración con el software de corrección de la sala (p. ej. Audyssey), por favor, visite nuestra página web o llámenos.

	CS9040	CS9060	CS9080
ESPECIFICACIONES			
DIMENSIONS	5.95" H x 20.75" W x 12" D (15.1cm H x 52.7cm W x 30.4 cm D)	5.95" H x 20.75" W x 12" D (15.1cm H x 52.7cm W x 30.4 cm D)	7" H x 23" W x 14.25" D (17.8cm H x 58.4cm W x 36.2 cm D)
PESO DEL PRODUCTO	20 lbs.	26 lbs.	36 lbs.
COMPLEMENTO DE TRANSDUCTOR	(2) 4.5" (11.4 cm) transductores, (1) 1" (2.5 cm) tweeter de cúpula de aluminio	(2) 4.5" (11.4 cm) transductores, (1) 1" (2.5 cm) tweeter de cúpula de aluminio	(2) 5.25" (13.3") transductores, (1) 1" (2.5 cm) tweeter de cúpula de aluminio
TRANSDUCTOR DE SUBWOOFER COMPLEMENTO	(1) 8" (20.3 cm) radiador de graves	(1) 8" (20.3cm) woofer;	(1) 8" (20.3cm) woofer; (1) 10" (25.4 cm) radiador de graves
FRECUENCIA DE RESPUESTA	50Hz-40kHz	50Hz-40kHz	24Hz-40kHz
SENSIBILIDAD	89dB SPL	91dB SPL	91dB SPL
IMPEDANCIA NOMINAL	8 ohms	8 ohms	8 ohms
POTENCIA DE ENTRADA RECOMENDADA	50-200W	50-300W	50-300W
ENERGÍA INTERNA DEL AMPLIFICADOR	ninguna	80W	200W

Asistencia técnica

Es un placer para nosotros poder ofrecerle ayuda si tiene alguna pregunta con respecto a su BP9000 o su configuración. Le rogamos que se ponga en contacto con su distribuidor Definitive Technology más cercano o se ponga en contacto con nosotros directamente al (800) 228-7148 (EE. UU. y Canadá), 01 (410) 363-7148 (resto de países) o por correo electrónico en info@definitivetech.com. La asistencia técnica se ofrece sólo en inglés.

Resolución de problemas

Si tiene algún problema con sus altavoces de canal central BP9000, pruebe las siguientes sugerencias. Si todavía tiene problemas, póngase en contacto con su distribuidor autorizado Definitive Technology para obtener ayuda.

1. Se puede producir una distorsión audible cuando los altavoces reproducen a niveles altos al ajustar su receptor o amplificador más fuerte que la capacidad de reproducción máxima del receptor o los altavoces. La mayoría de receptores y amplificadores llegan al tope de su potencia nominal mucho antes de llegar al máximo en el control de volumen, por lo que la posición del control de volumen es un mal indicador de su límite máximo de potencia. Si sus altavoces distorsionan al reproducir a un volumen alto, ¡baje el volumen!
2. Si nota una ausencia de graves, es probable que uno de los altavoces esté fuera de fase (polaridad) con respecto al otro y deba ser reconectado prestando más atención a la conexión de positivo a positivo y negativo a negativo en ambos canales. La mayoría de cables de altavoces tiene algún indicador (como una codificación por colores, relieves o texto) sobre uno de los dos conductores para ayudarle a mantener la consistencia. Es esencial conectar ambos altavoces al amplificador de la misma manera (en fase). También puede experimentar ausencia de graves si el control de volumen está muy bajo o no activo.
3. Assurez-vous que tout votre système soit interconnecté et que vos cordons d'alimentation soient solidement en place.
3. Asegúrese de que todas las conexiones de su sistema sean firmes y los cables de alimentación estén firmemente en su lugar.
4. En caso de que escuche un zumbido o ruido procedente de los altavoces, intente conectar los cables de alimentación de los altavoces en un circuito de CA diferente al de su amplificador.
5. El sistema cuenta con sofisticados circuitos de protección interna. Si, por alguna razón, se dispara la circuitería de protección, apague el sistema y espere cinco minutos antes de volver a probarlo. Si el amplificador incorporado de los altavoces se sobrecalienta, el sistema se apagará hasta que el amplificador se enfríe.
6. Asegúrese de que su cable de alimentación no haya sido dañado.
7. Compruebe que no hayan entrado objetos extraños o líquido en el altavoz.
8. Si no puede encender el driver del subwoofer o si no sale ningún sonido, y tiene total seguridad de que el sistema está configurado correctamente, por favor, remita el altavoz a su distribuidor autorizado de Definitive Technology para más asistencia; se ruega llamar primero.

Oficinas de Definitive Technology

1 Viper Way, Vista, CA 92081

Teléfono: (800) 228-7148 (EE. UU. y Canadá), 01 (410) 363-7148 (resto de países)

Servicio técnico

El trabajo de servicio técnico y garantía en sus altavoces Definitive normalmente son llevados a cabo por su distribuidor Definitive Technology local. Sin embargo, si usted desea devolvernos el altavoz, por favor póngase en contacto con nosotros primero, describiendo el problema y solicitando una autorización, así como la ubicación del centro de servicio de fábrica más cercano. Tenga en cuenta que la dirección indicada en este folleto es únicamente la dirección de nuestras oficinas.

Bajo ninguna circunstancia debe enviarnos los altavoces a nuestras oficinas o devolverlos sin antes haberse puesto en contacto con nosotros y obtener la autorización de devolución.

Garantía limitada:

5 años para los drivers y sus carcasas, 3 años para los componentes electrónicos

DEI Sales Co., dba Definitive Technology (en adelante, "Definitive") garantiza al comprador original que este altavoz de Definitive (el "Producto") estará libre de defectos en materiales y mano de obra por un período de cinco (5) años cubriendo los drivers y sus carcasas, y tres (3) años para los componentes electrónicos, a partir de la fecha de compra original a un distribuidor autorizado de Definitive. Si el producto es defectuoso en materiales o mano de obra, Definitive o su distribuidor autorizado, a su criterio, repararán o reemplazarán el producto garantizado sin coste adicional, excepto como se indica a continuación. Todas las piezas y Producto(s) reemplazados pasan a ser propiedad de Definitive. El producto reparado o reemplazado bajo esta garantía le será devuelto a usted, en un plazo razonable, a portes debidos. Esta garantía no es transferible y se anula de pleno derecho si el comprador original vende o transfiere el producto a cualquier otra parte. Esta garantía no incluye los servicios o piezas para reparar los daños causados por accidentes, mal uso, abuso, negligencia, procedimientos de embalaje o transporte inadecuados, uso comercial, tensión superior a la nominal máxima de la unidad o apariencia estética de la carcasa no directamente atribuibles a defectos en el material o la mano de obra. Esta garantía no cubre la eliminación de ruido o estática generados externamente, o la corrección de problemas de antena o recepción débil. Esta garantía no cubre los costes de mano de obra o daños en el producto causados por la instalación o la retirada del Producto. Definitive Technology no ofrece ninguna garantía con respecto a sus productos comprados a distribuidores o puntos de venta distintos de los distribuidores autorizados de Definitive Technology.

LA GARANTÍA SE ANULA AUTOMÁTICAMENTE SI:

- 1) El producto ha sido dañado, alterado de cualquier manera, mal manejado durante el transporte o manipulado.
- 2) El producto está dañado debido a un accidente, incendio, inundación, uso no razonable, uso indebido, abuso, productos de limpieza aplicados por el cliente, inobservancia de las advertencias de los fabricantes, negligencia u otras causas relacionadas.
- 3) La reparación o modificación del producto no se ha realizado o autorizado por parte de Definitive Technology.
- 4) El producto ha sido mal instalado o utilizado.

El producto debe ser devuelto (asegurado y prepago), junto con un comprobante de la fecha original de compra al distribuidor autorizado donde se compró el producto, o al centro de servicio de fábrica de Definitive más cercano. El producto debe ser enviado en el contenedor de envío original o uno equivalente. Definitive no se responsabiliza por la pérdida o daños del Producto en tránsito.

ESTA GARANTÍA LIMITADA ES LA ÚNICA GARANTÍA EXPRESA QUE SE APLICA A SU PRODUCTO. DEFINITIVE NO ASUME, NI AUTORIZA A PERSONA O ENTIDAD ALGUNAS A QUE ASUMAN, CUALQUIER OTRA OBLIGACIÓN O RESPONSABILIDAD EN RELACIÓN CON SU PRODUCTO O ESTA GARANTÍA. CUALQUIER OTRA GARANTÍA, INCLUYENDO PERO NO LIMITADO A, GARANTÍAS EXPRESAS, IMPLÍCITAS, DE COMERCIALIZACIÓN O IDONEIDAD PARA UN PROPÓSITO PARTICULAR, ESTÁN EXPRESAMENTE EXCLUIDAS Y

SE RENUNCIA A ELLAS EN LA MEDIDA MÁXIMA PERMITIDA POR LA LEY. TODAS LAS GARANTÍAS IMPLÍCITAS DEL PRODUCTO ESTÁN LIMITADAS A LA DURACIÓN DE ESTA GARANTÍA EXPRESA. DEFINITIVE NO TIENE RESPONSABILIDAD POR ACTOS DE TERCEROS. LA RESPONSABILIDAD DE DEFINITIVE, YA SEA POR CONTRATO, AGRAVIO, ESTRICTA RESPONSABILIDAD O CUALQUIER OTRA TEORÍA, NO DEBERÁ EXCEDER EL PRECIO DE COMPRA DEL PRODUCTO PARA EL CUAL SE EFECTÚA LA RECLAMACIÓN. DEFINITIVE NO SE HARÁ CARGO, BAJO NINGUNA CIRCUNSTANCIA, DE CUALQUIER RESPONSABILIDAD POR DAÑOS CONSECUENTES O ESPECIALES. EL CONSUMIDOR ACEPTA Y CONSIENTE QUE TODAS LAS DISPUTAS ENTRE EL CONSUMIDOR Y DEFINITIVE SE RESOLVERÁN DE ACUERDO CON LAS LEYES DE CALIFORNIA EN EL CONDADO DE SAN DIEGO, CALIFORNIA. DEFINITIVE SE RESERVA EL DERECHO DE MODIFICAR ESTA DECLARACIÓN DE GARANTÍA EN CUALQUIER MOMENTO.

Algunos estados no permiten la exclusión o limitación de daños indirectos o incidentales, o las garantías implícitas, por lo que las limitaciones anteriores podrían no aplicarse en su caso. Esta garantía le otorga derechos legales específicos, y usted también puede tener otros derechos que varían de estado a estado. ©2016 DEI Sales Co. Todos los derechos reservados.

SICHERHEITSVORKEHRUNGEN



CHTUNG! Um eine Gefährdung durch elektrischen Schlag und Brand auszuschließen, entfernen Sie weder die Abdeckung noch die Hinterplatte dieses Gerätes. Im Inneren befinden sich keine durch den Benutzer zu wartenden Teile. Überlassen Sie die Wartung aller Teile qualifiziertem Servicepersonal. Hinweis: Nicht öffnen - Stromschlaggefahr! **ACHTUNG!** Das internationale elektrische Gefahrensymbol, dargestellt durch einen Blitz in einem ausgefüllten Dreieck, warnt den Anwender vor nicht isolierter, gefährlicher Spannung innerhalb des Systemgehäuses. Das internationale Symbol, dargestellt durch ein Ausrufezeichen in einem ausgefüllten Dreieck, weist den Benutzer auf wichtige Bedienungs- und Wartungsanleitungen im begleitenden Benutzerhandbuch hin.

ACHTUNG! Um einen elektrischen Schlag zu vermeiden, stecken Sie den breiten Kontakt des Steckers vollständig in den breiten Schlitz.

ACHTUNG! Um einen elektrischen Schlag zu vermeiden, setzen Sie das Gerät weder Regen noch Feuchtigkeit aus.

1. **ANLEITUNGEN LESEN** - Vor der Geräteinbetriebnahme müssen alle Sicherheits- und Betriebsanleitungen gelesen werden.
2. **ANLEITUNGEN AUFBEWAHREN** - Die Sicherheits- und Betriebsanleitungen müssen für späteren Gebrauch gut aufbewahrt werden.
3. **WARNHINWEISE BEACHTEN** - Alle Warnhinweise auf dem
4. **ANWEISUNGEN BEFOLGEN** - Alle Sicherheits- und Betriebsanleitungen müssen befolgt werden.
5. **WASSER & FEUCHTIGKEIT** - Das Gerät darf nicht in oder in der Nähe von Wasser benutzt werden - es besteht Stromschlaggefahr mit tödlichen Folgen.
6. **BELÜFTUNG** - Das Gerät muss sich an einem gut belüfteten Ort befinden. Es darf nicht in Einbaustationen oder Orten benutzt werden, die den Luftstrom durch seinen Kühlkörper behindern.
7. **HITZE** - Stellen Sie das Gerät niemals in der Nähe von Wärmequellen wie Heizkörpern, Wärmespeichern, Öfen oder anderen Wärme erzeugenden Geräten auf.
8. **STROMVERSORGUNG** - Das Gerät darf nur mit dem dafür vorgesehenen Netzteil betrieben werden - siehe Betriebsanleitung und Typenschild.
9. **NETZKABELSCHUTZ** - Stromkabel müssen so verlegt werden, dass

DE sie nicht betreten oder durch Gegenstände eingeklemmt werden können. Besondere Aufmerksamkeit erfordern Bereiche, in welchen der Stecker mit einer Steckdose oder Sicherungsleiste verbunden ist sowie Kabelaustrittsstellen am Gerät.

10. **REINIGUNG** - Das Gerät muss gemäß Herstellerangaben gereinigt werden.
11. **NICHTNUTZUNGSZEITEN** - Das Gerät muss vom Netz getrennt werden, wenn es über längere Zeit nicht verwendet wird.
12. **FREMDKÖRPERSCHADEN** - Es dürfen keine Fremdkörper oder Flüssigkeiten in das Gerät gelangen.
13. **REPARATURBEDÜRFTIGE SCHÄDEN** - Das Gerät muss von Fachpersonal repariert werden, wenn:
 - der Stecker oder das Netzkabel beschädigt ist.
 - Gegenstände oder Flüssigkeit ins Geräteinnere gelangt sind.
 - das Gerät Feuchtigkeit ausgesetzt wurde.
 - das Gerät nicht ordnungsgemäß zu funktionieren scheint oder Gerät und in der Betriebsanleitung müssen eingehalten werden. eine deutliche Betriebsänderung aufweist.
 - das Gerät fallengelassen wurde oder das Gehäuse beschädigt ist.
14. **WARTUNG** - Die Gerätewartung darf ausschließlich von qualifiziertem Fachpersonal durchgeführt werden. Verwendete Ersatzteile müssen den Herstellerangaben entsprechen. Der Einsatz nicht zugelassener Ersatzteile kann zu Brand, Stromschlag und anderen Gefahren führen.

Stromversorgung

1. Die Sicherung und Stromtrennvorrichtung befinden sich auf der Rückseite des Lautsprechers.
2. Das Netzkabel ist die Trennvorrichtung und kann entweder vom Lautsprecher oder von der Wand getrennt werden.
3. Das Netzkabel muss vor Wartungsarbeiten vom Lautsprecher getrennt werden.

Dieses Symbol auf unserem Elektrogerät bzw. auf der Verpackung gibt an, dass es innerhalb Europas verboten ist, dieses Produkt als Haushaltsabfall zu entsorgen. Um das Produkt ordnungsgemäß zu entsorgen, ziehen Sie bitte die in Ihrer Region geltenden Verordnungen und Gesetze über die Entsorgung von Elektro- und Elektronikgeräten zu Rate. Damit tragen Sie zum Erhalt natürlicher Ressourcen und Umweltschutz.

Wir freuen uns, dass Sie ein Mitglied unserer Definitive-Technology-Familie geworden sind.

Bitte nehmen Sie sich einige Minuten Zeit und registrieren Sie Ihr Produkt*, damit wir Ihren Kauf in unsere Kundendatei aufnehmen. Dadurch können wir Ihnen jederzeit den besten Service zukommen lassen und Sie, falls erforderlich, über wichtige Wartungs- oder Garantiehinweise benachrichtigen.

Registrieren Sie sich hier: <http://www.definitivetech.com/registration>

Kein Internet? Rufen Sie den Kundendienst an!

Mo - Fr 09:30 - 18:00 US ET

unter (800) 228-7148 (USA & Kanada), 01 (410) 363-7148 (alle anderen Länder)

Nota: Daten, die wir während der Online-Registrierung erfassen, werden niemals an Dritte verkauft oder weitergegeben.

** Die Seriennummer finden Sie auf der Rückseite des Handbuchs*

Auspacken Ihres CS9000 Lautsprechers

Packen Sie Ihren BP9000 Center-Lautsprecher vorsichtig aus. Bewahren Sie die Kartons und Verpackungsmaterialien für den Fall auf, dass Sie den Lautsprecher in Zukunft umstellen oder versenden müssen. Es ist wichtig, dieses Handbuch sicher zu lagern, denn es enthält die Seriennummer Ihres Produktes. Die Seriennummer finden Sie auch auf der Geräterückseite. Jeder Lautsprecher verlässt unser Werk in einwandfreiem Zustand. Sichtbare oder verdeckte Schäden entstehen am häufigsten bei der Handhabung, nachdem das Gerät unser Werk verlässt. Falls Sie Transportschäden entdecken, kontaktieren Sie bitte Ihren Definitive-Technology-Händler oder das Unternehmen, das Ihren Lautsprecher geliefert hat.

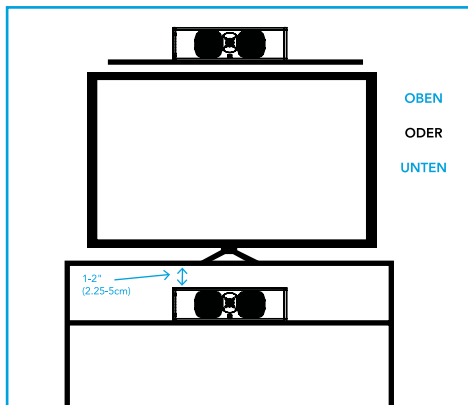


ABBILDUNG 1 - Positionieren der Mittellautsprecher

HINWEIS: DAS REGAL, AUF WELCHES DER CENTER-LAUTSPRECHER GESTELLT WIRD, MUSS STABIL GENUG SEIN. 36LBS

- EIN CENTER-LAUTSPRECHER MUSS SO NAH WIE MÖGLICH AN DAS ZENTRUM DES FERNSEHERS GESTELLT WERDEN, OHNE DIE SICHT ZU BEHINDERN.
- UM DIE IN IHREN CS-LAUTSPRECHER EINGEBAUTEN BASSSTRAHLER VOLL AUSZUNUTZEN, LASSEN SIE MINDESTENS 2,5 – 5 CM PLATZ ZWISCHEN DER OBERSEITE DES LAUTSPRECHERS UND DER GEGENÜBER LIEGENDEN FLÄCHE.

Mitgeliefertes Zubehör:

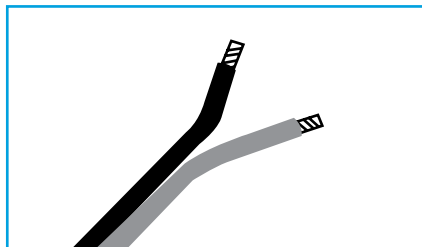
1. Netzkabel:

- US - Qty (1) für CS9080- und CS9060-Modelle
- EU/UK - Qty (2) für CS9080- und CS9060-Modelle

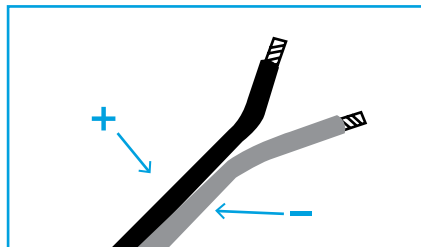
Aufstellen Ihrer Lautsprecher

Ihr BP9000 Center-Lautsprecher liefert unvergleichliche Klarheit, wenn es darum geht, den gesamten Vokalbereich anspruchsvollster Inhalte akkurat wiederzugeben. Für optimale Leistung folgen Sie bitte den hier aufgeführten Richtlinien. Unsere Empfehlungen führen normalerweise zu besten Ergebnissen. Doch da sich alle Räume und Hörumgebungen voneinander unterscheiden, experimentieren Sie mit dem Aufstellungsort des Lautsprechers. Die Lautsprecher sind dann richtig positioniert, wenn der Klang Ihrer Meinung nach am besten ist.

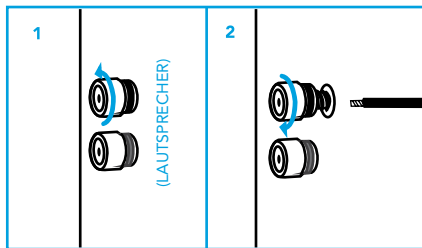
Lautsprecher anschließen



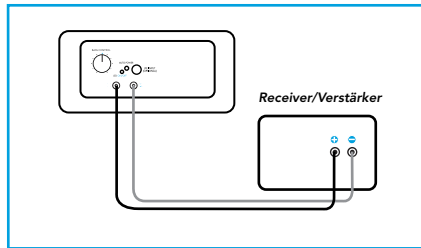
1/4" (6 MM) DRAHT ABISOLIEREN



1. DRAHTKENNZEICHNUNGEN IDENTIFIZIEREN UND +/- ZUORDNEN
2. VERWENDEN SIE GGF. BANANENSTECKER ODER KABELSCHUHE



1. UNTERSEITE DER POLKLEMME ABSCHRAUBEN UND KABEL ANSCHLIESSEN
2. FESTZIEHEN



LAUTSPRECHER MUSS IMMER MIT DEM RECEIVER ODER VERSTÄRKER + AN + UND - AN - VERBUNDEN SEIN

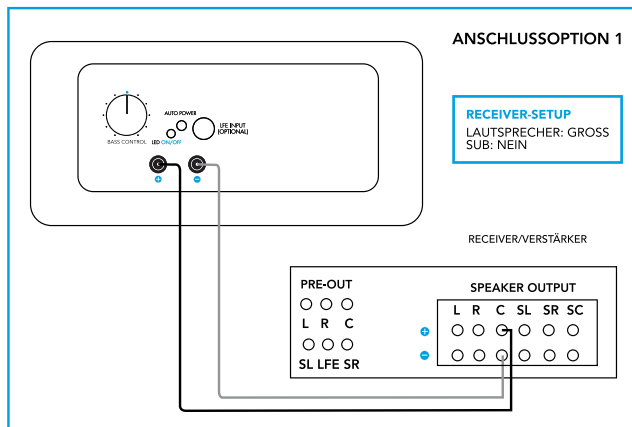
ABBILDUNG 2 – Verdrahtung und Polarität

Anschlussoptionen: Nur Lautsprecherpegel oder Lautsprecherpegel+ LFE-Anschluss

Mit Hilfe der manuellen Lautsprecher-Setup-Funktionen in Ihrem Receiver oder Prozessor stellen Sie die Lautsprecherkonfiguration, den Lautsprecherabstand und Kanalabgleich ein. Im Handbuch für den Receiver/ Prozessor erfahren Sie, wie Sie auf die Setup-Menüs zugreifen und diese verwenden. Verwenden Sie die Einstellungen in Abbildung 3.

Hinweis: Wir empfehlen Ihnen, nicht die Audio-Setup-Funktionen Ihres Receivers zu benutzen, da sie bei der Einstellung und Anpassung von Lautsprechern mit integrierten aktiven Subwoofern ineffektiv sein können.

Anschlussoption 1: Nur Lautsprecherpegel (empfohlen)



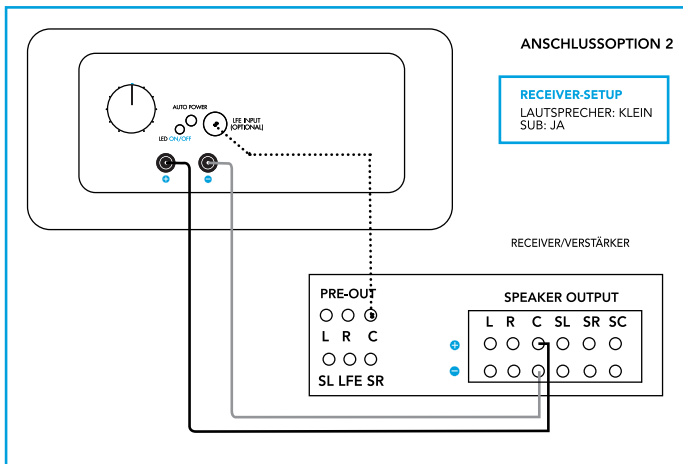
Option 1 liefert hochpräzisen Sound in vollem Umfang. Die interne Frequenzweichtechnologie verteilt alle Frequenzen an den jeweiligen Treiber. Der integrierte Subwoofer arbeitet harmonisch mit dem Mitteltonsystem zusammen.

Anleitung:

- Verbinden Sie das Lautsprecherkabel vom Receiver/Verstärker mit dem Lautsprecherpegel-Eingang auf der Rückseite des Lautsprechers
- Passen Sie die Einstellungen für den Receiver/Prozessor an: Lautsprecher (Groß); Subwoofer (Nein)

ABBILDUNG 3 – Nur Lautsprecherpegel Anschlusschema

Anschlussoption 2: Lautsprecherpegel + LFE



Anleitung:

- Verbinden Sie das Lautsprecherkabel vom Receiver/Verstärker mit dem Lautsprecherpegel-Eingang auf der Lautsprecherrückseite
- Verbinden Sie das RCA-Kabel vom Center-Pre-Out auf der Rückseite des Receivers/Prozessors mit dem LFE-Eingang auf der Center-Rückseite
- Einstellungen für den Receiver/Prozessor: Lautsprecher (Klein); Subwoofer (Ja)

ABBILDUNG 4 – Lautsprecherpegel + LFE-Anschluss Diagramm

Wenn Sie sich mehr individuelle Einstellungen wünschen, so gibt Option 2 Ihnen die Möglichkeit, die Menge niedriger Frequenzen (Frequenzen unterhalb des Übergangspunktes im Receiver/Prozessor) zu steuern, die an den integrierten Subwoofer gesendet werden. Wenn Sie Option 2 bevorzugen, empfehlen wir Ihnen, den Übergangspunkt in Ihrem Receiver/Prozessor auf 80 Hz oder niedriger zu setzen, um den empfindlichen Übergang zwischen Subwoofer und Mitteltöner nicht zu stören. Darüber hinaus sollten Sie eine sorgfältige Balance zwischen dem Subwoofer-Ausgangspegel und dem Bassregler auf der Rückseite Ihres Lautsprechers berücksichtigen. Wir empfehlen, beim Bassregler auf 12 Uhr zu beginnen (siehe Abbildung 4).

Stromversorgung des aktiven Subwoofers (nur CS9080 und CS9060)

Besitzen Sie ein CS9080- oder CS9060-Modell, dann umfasst Ihr BP9000 Center-Lautsprecher einen integrierten aktiven Subwoofer, der den Frequenzgang und die dynamische Bandbreite des Center- Lautsprechers erweitert.

Ihr Center-Lautsprecher muss an eine Steckdose angeschlossen sein, damit der integrierte Subwoofer mit Strom versorgt ist. An der unteren Vorderseite jedes BP9000 Center-Lautsprechers befindet sich ein LED „D“- Logo, das auf den integrierten aktiven Subwoofer hinweist. Der CS9040 Center-Lautsprecher verfügt über einen passiven Basstrahler und wird über den Verstärker mit Energie versorgt. Das Logo zeigt standardmäßig „On“, kann jedoch vollständig deaktiviert werden, indem Sie einfach auf den LED EIN/AUS-Knopf auf der Lautsprecherrückseite drücken. Im aktivierten Zustand schaltet sich das LED-Logo nur dann ein, wenn es ein aktives Signal von Ihrem Receiver/Prozessor erhält. Erhält es über 20 Minuten kein aktives Signal, schaltet es sich automatisch aus oder geht in den Standby-Modus über.

Hinweis: Verbinden Sie den Low-Level-Eingang nicht mit dem LFE-Ausgang Ihres Receivers. Der Center-Lautsprecher ist nicht für den Betrieb als separater Subwoofer ausgelegt.

Intelligent Bass Control™

Definitive Technology war schon immer davon überzeugt, dass der beste Lautsprecher dadurch ausgezeichnet ist, Audiosignale in voller Bandbreite so präzise wie möglich wiederzugeben. Unsere unverwechselbare Klangsignatur lässt Sie nicht nur das hören, was Sie auf dem Bildschirm sehen, sondern es auch spüren. Intelligent Bass Control™ (nur in den Modellen CS9060 und CS9080) erlaubt es Ihnen, die Lautstärke tiefer Basstöne beliebig nach oben und unten zu regeln, während gleichzeitig eine optimale Mitteltonklarheit beibehalten wird - unabhängig von der Basseinstellung. Drehen Sie einfach nur den Bassregler auf der Lautsprecherrückseite nach Ihrem Belieben und der Lautsprecher erledigt den Rest. So leicht ist das. Wir empfehlen, im mittleren Bereich zu beginnen und von hier aus Ihren gewünschten Sound anzupassen.

Wenn Sie an erweiterten Anleitungen zum Intelligent Bass Control™ interessiert sind, einschließlich Integration mit Raumkorrektur-Software (z.B. Audyssey), besuchen Sie bitte unsere Webseite oder rufen Sie uns an.

	CS9040	CS9060	CS9080
TECHNISCHE DATEN			
ABMESSUNGEN	5.95" H x 20.75" W x 12" D (15.1cm H x 52.7cm W x 30.4 cm D)	5.95" H x 20.75" W x 12" D (15.1cm H x 52.7cm W x 30.4 cm D)	7" H x 23" W x 14.25" D (17.8cm H x 58.4cm W x 36.2 cm D)
PRODUKTGEWICHT	20 lbs.	26 lbs.	36 lbs.
TREIBERBESTÜCKUNG	(2) 4.5" (11.4 cm) Treiber, (1) 1" (2.5 cm) Aluminium- Kalottenhochtöner	(2) 4.5" (11.4 cm) Treiber, (1) 1" (2.5 cm) Aluminium- Kalottenhochtöner	(2) 5.25" (13.3") Treiber, (1) 1" (2.5 cm) Aluminium- Kalottenhochtöner
TREIBERBESTÜCKUNG FÜR SUBWOOFER-SYSTEM	(1) 10" (25.4 cm) Bassstrahler	(1) 8" (20.3cm) woofer;	(1) 8" (20.3cm) woofer; (1) 10" (25.4 cm) Bassstrahler
FREQUENZGANG	50Hz-40kHz	50Hz-40kHz	24Hz-40kHz
EMPFINDLICHKEIT	89dB SPL	91dB SPL	91dB SPL
NENNIMPEDANZ	8 ohms	8 ohms	8 ohms
EMPFOHLENE EINGANGSLEISTUNG	50-200W	50-300W	50-300W
INTERNE VERSTÄRKERLEISTUNG	Keine	80W	200W

Technische Unterstützung

Bei Fragen zu Ihrem BP9000 (z.B. Einrichtung) sind wir Ihnen gerne behilflich. Bitte wenden Sie sich an einen Definitive-Technology-Händler in Ihrer Nähe oder rufen Sie uns direkt an: (800) 228-7148 (USA & Kanada), 01 (410) 363-7148 (alle anderen Länder). Sie können uns auch per E-Mail erreichen: info@definitivetech.com. Technische Unterstützung wird nur in englischer Sprache angeboten.

Fehlerbehebung

Sollten Probleme bei Ihrem B9000 Center-Lautsprecher auftreten, versuchen Sie, diese mit Hilfe der nachfolgenden Vorschläge zu beheben. Sollten die Probleme weiterhin bestehen, kontaktieren Sie bitte Ihren Definitive-Technology-Vertragshändler, wo man Ihnen gerne weiterhilft.

1. Hörbare Verzerrungen können auftreten, wenn die Lautsprecher mit hoher Lautstärke betrieben werden. Dies wird dadurch verursacht, dass der Receiver oder Verstärker lauter eingestellt wird, als die Lautsprecher wiedergeben imstande sind. Die meisten Receiver und Verstärker laufen auf voller Nennleistung, noch weit bevor der Lautstärkepegel das Maximum erreicht. Die Position des Lautstärkereglers ist also kein zuverlässiger Indikator für die Leistungsgrenze. Wenn Ihre Lautsprecher bei hoher Lautstärke den Klang verzerren, reduzieren Sie die Lautstärke!
2. Wird kein Bass wiedergegeben, ist wahrscheinlich ein Lautsprecher nicht mehr in Phase (Polarität) mit dem anderen. Es ist eine erneute Verkabelung notwendig, wobei bei beiden Kanälen zu beachten ist, Plus mit Plus und Minus mit Minus zu verbinden. Die meisten Lautsprecherkabel verfügen auf einer Leitung über eine entsprechende Kennzeichnung (Farbkodierung, Rippung, Beschriftung). Es ist wichtig, beide Lautsprecher in gleicher Weise (in Phase) mit dem Verstärker zu verbinden. Zu einem Bassmangel kann es auch dann kommen, wenn der Bassregler komplett heruntergedreht oder ausgeschaltet ist.
3. Vergewissern Sie sich, dass all Ihre Systemverbindungen und Stromkabel fest in ihren jeweiligen Anschlussstellen sitzen.
4. Kommt es zu einem Brummen oder Rauschen aus den Lautsprechern, verbinden Sie die Netzkabel Ihres Lautsprechers mit einem anderen Wechselstrom-Schaltkreis als Ihren Verstärker.
5. Das System verfügt über hochentwickelte integrierte Schutzschaltungen. Sollte die Schutzschaltung ausgelöst werden, schalten Sie das System aus und warten Sie 5 Minuten, bevor Sie es wieder anschalten. Sollte der eingebaute Verstärker des Lautsprechers überhitzen, schaltet sich das System aus. Wenn der Verstärker abgekühlt ist, schaltet sich das System erneut ein.
6. Überprüfen Sie, ob das Stromkabel beschädigt ist.
7. Vergewissern Sie sich, dass keine Fremdobjekte oder Flüssigkeit in das Lautsprechergehäuse gelangt sind.
8. Wenn Sie den Subwoofer-Treiber nicht zum Laufen bringen oder es keine Tonwiedergabe gibt und Sie sicher sind, dass das System ordnungsgemäß eingerichtet wurde, bringen Sie Ihren Lautsprecher bitte zu Ihrem Definitive-Technology-Vertragshändler für weitere Hilfe. Rufen Sie vorher bitte an.

Definitive Technology Niederlassungen

1 Viper Way, Vista, CA 92081

Telefon: (800) 228-7148 (USA & Kanada), 01 (410) 363-7148 (alle anderen Länder)

Service

Inspektionen und Garantiarbeiten an Ihren Definitive-Lautsprechern werden üblicherweise von Ihrem lokalen Definitive-Technology-Händler durchgeführt. Wenn Sie Ihre Lautsprecher wieder zurückbringen möchten, kontaktieren Sie uns bitte vorher, um das Problem zu beschreiben, eine Rücksendegenehmigung einzuholen und sich nach der richtigen Adresse des nächstgelegenen Werkskundendienstes zu erkundigen. Beachten Sie, dass die in diesem Handbuch aufgeführte Adresse lediglich unseren Geschäftssitz angibt. Lautsprecher dürfen unter keinen Umständen an unseren Geschäftssitz versandt werden. Die Geräte dürfen nicht retourniert werden, ohne dass wir vorher kontaktiert worden sind und eine Rücksendegenehmigung erteilt haben.

Beschränkte Garantie:

5 Jahre für Treiber und Gehäuse, 3 Jahre für elektronische Komponenten

DEI Sales Co., dba Definitive Technology (hier „Definitive“) garantiert nur dem Erstkäufer, dass dieser Definitive-Lautsprecher (das „Produkt“) ab dem Datum des Kaufs bei einem Definitive-Vertragshändler frei von Material- und Verarbeitungsfehlern ist. Diese Garantie beläuft sich bei Treibern und Gehäuse des Produktes auf fünf (5) Jahre, bei elektronischen Komponenten auf drei (3) Jahre. Falls das Produkt Material- oder Verarbeitungsfehler aufweist, wird Definitive oder sein Vertragshändler das Produkt nach eigenem Ermessen kostenlos reparieren oder ersetzen, soweit im Folgenden nicht anders angegeben. Alle ersetzten Teile und das Produkt werden zum Eigentum von Definitive. Das im Rahmen dieser Garantie reparierte oder ersetzte Produkt wird nach angemessener Zeit an Sie zurückgesandt, wobei die Versandkosten von Ihnen übernommen werden. Diese Garantie ist nicht übertragbar und verliert automatisch ihre Gültigkeit, wenn der Erstkäufer das Produkt verkauft oder es anderweitig an Dritte übergibt. Diese Garantie umfasst keine Reparatur von Teilen, die durch Unfall, falsche Benutzung, Missbrauch, Nachlässigkeit, ungeeignete Verpackung und Versandverfahren, kommerzielle Nutzung, Überspannung beschädigt wurden oder deren Außenbild nicht direkt auf Material- oder Verarbeitungsfehler zurückzuführen ist. Diese Garantie deckt weder die Beseitigung von extern erzeugter Statik oder Geräuschen noch die Korrektur von Antennenproblemen oder Empfangsschwäche. Diese Garantie deckt weder Arbeitskosten noch durch Installation/Deinstallation entstandene Produktschäden. Von der Garantie ausgeschlossen sind Produkte, die bei anderen als den von Definitive Technology autorisierten Fachhändlern erworben wurden.

DIE GARANTIE ERLISCHT IN FOLGENDEN FÄLLEN:

- 1) Das Produkt wurde beschädigt, modifiziert, beim Transport falsch gehandhabt oder manipuliert.
- 2) Das Produkt wurde durch Unfall, Brand, Überschwemmung, unangemessenen Gebrauch, Missbrauch, Reinigung durch den Kunden, Missachtung von Herstellerhinweisen und ähnliche Ereignisse beschädigt.
- 3) Die Produktreparatur/-modifikation wurde nicht durch Definitive Technology autorisiert oder durchgeführt.
- 4) Das Produkt wurde nicht ordnungsgemäß installiert oder verwendet. Das Produkt muss (versichert und frachtfrei) zusammen mit der datierten

Das Produkt muss (versichert und frachtfrei) zusammen mit der datierten Originalrechnung an den Fachhändler zurückgesandt werden, bei welchem das Produkt erworben wurde, oder an den nächsten Definitive- Werkskundendienst. Das Produkt muss in der Originalverpackung oder einer gleichwertigen Verpackung verschickt werden. Definitive haftet nicht für einen Verlust oder Schäden des Produktes während des Transportes.

DIESE GARANTIE IST DIE EINZIGE AUSDRÜCKLICHE GARANTIE FÜR IHR PRODUKT. DEFINITIVE ÜBERNIMMT KEINERLEI VERPFLICHTUNGEN ODER VERANTWORTLICHKEITEN UND AUTORISIERT KEINE DRITTEN ZUR ÜBERNAHME SOLCHER VERPFLICHTUNGEN IM ZUSAMMENHANG MIT IHREM PRODUKT ODER DIESER GARANTIE. ALLE ANDEREN GARANTIEN, EINSCHLIESSLICH, ABER NICHT BESCHRÄNKT AUF, AUSDRÜCKLICHE ODER STILLSCHWEIGENDE GEWÄHRLEISTUNG BEZÜGLICH MARKTGÄNGIGKEIT SOWIE EIGNUNG FÜR EINEN BESTIMMTEN ZWECK, SIND AUSDRÜCKLICH AUSGESCHLOSSEN UND WERDEN IN VOLLEM GESETZLICH ZULÄSSIGEN UMFANG ABGELEHNT. ALLE STILLSCHWEIGENDEN GARANTIEN FÜR DAS PRODUKT BESCHRÄNKEN SICH AUF DIE DAUER DIESER AUSDRÜCKLICHEN GARANTIE. DEFINITIVE HAFTET NICHT FÜR DIE HANDLUNGEN DRITTER. DIE HAFTUNG VON DEFINITIVE, OB BASIEREND AUF EINEM VERTRAG, UNERLAUBTER HANDLUNG, KAUSALHAFTUNG ODER ANDERER GRUNDLAGE, ÜBERSTEIGT NICHT DEN KAUFPREIS DES PRODUKTES, FÜR WELCHES ANSPRÜCHE ERHOBEN WERDEN. UNTER KEINEN UMSTÄNDEN ÜBERNIMMT DEFINITIVE HAFTUNG FÜR ZUFÄLLIGE, SPEZIELLE ODER FOLGESCHÄDEN. DER VERBRACUHER STIMMT ZU, DASS ALLE STREITIGKEITEN ZWISCHEN DEM VERBRAUCHER UND DEFINITIVE GEMÄSS DEN IN KALIFORNIEN GELTENDEN GESETZEN IN SAN DIEGO COUNTY, KALIFORNIEN, BEIGLEGT WERDEN. DEFINITIVE BEHÄLT SICH DAS RECHT VOR, DIESE GARANTIERKLÄRUNG JEDERZEIT ZU ÄNDERN.

Da einige Staaten den Ausschluss oder die Beschränkung von Folge- und Nebenschäden sowie stillschweigenden Garantien verbieten, treffen die oben genannten Beschränkungen ggf. nicht auf Sie zu. Mit dieser Garantie erhalten Sie bestimmte Rechtsansprüche. Abhängig vom Staat könnten Ihnen noch anderweitige Rechte zustehen.

©2016 DEI Sales Co. Alle Rechte vorbehalten.

MISURE DI SICUREZZA



ATTENZIONE! Per ridurre il rischio di scosse elettriche e incendio, non fare rimuovere la copertura o la piastra posteriore del dispositivo. Non ci sono parti riparabili dall'utente all'interno. Per la manutenzione rivolgersi tecnici certificati per l'assistenza. Avviso: Pericolo di scossa elettrica. Non aprire.

ATTENZIONE! Il simbolo internazionale di un fulmine all'interno di un triangolo ha lo scopo di avvisare l'utente di una "tensione pericolosa" non isolata all'interno del dispositivo. Il simbolo internazionale di un punto esclamativo all'interno di un triangolo ha lo scopo di allertare l'utente della presenza di importanti istruzioni operative, di manutenzione e controllo nel manuale che accompagna il dispositivo.

ATTENZIONE! Per evitare le scosse elettriche, far corrispondere la lama grande della spina a più ampia, inserendola completamente.

ATTENZIONE! Per ridurre il rischio di scosse elettriche, non esporre questa apparecchiatura alla pioggia o all'umidità.

1. **LEGGERE LE ISTRUZIONI** – Tutte le istruzioni di sicurezza e di funzionamento devono essere lette prima di utilizzare il dispositivo.
2. **CONSERVARE LE ISTRUZIONI** – Le istruzioni di sicurezza e operative devono essere conservate per riferimento futuro.
3. **RISPETTARE LE AVVERTENZE** – Tutte le avvertenze sull'apparecchio e nelle istruzioni di funzionamento devono essere seguite fedelmente.
4. **SEGUIRE LE ISTRUZIONI** – Tutte le istruzioni operative e di sicurezza devono essere seguite.
5. **ACQUA E UMIDITÀ** – Il dispositivo non deve mai essere usato in, sopra o in prossimità di acqua per il rischio di scosse mortali.
6. **VENTILAZIONE** – Il dispositivo deve sempre essere situato in un modo tale da mantenere la corretta ventilazione. Non deve mai essere collocato in un'installazione interna o in qualunque posto in cui ci sia un impedimento al flusso di aria attraverso il suo dissipatore di calore.
7. **CALORE** – Non mettere mai il dispositivo in prossimità di fonti di calore come radiatori, sfitti sul pavimento, stufe o altri dispositivi che generano calore.

8. **ALIMENTAZIONE** – Il dispositivo deve essere collegato solo ad un alimentatore del tipo descritto nelle istruzioni operative o come indicato sul dispositivo.
9. **PROTEZIONE DEL CAVO DI ALIMENTAZIONE** – I cavi di alimentazione devono essere messi in modo che non siano suscettibili di essere calpestati o schiacciati da oggetti posti su di loro o contro di loro. Attenzione speciale deve essere prestata alle zone in cui la spina entra in una presa di corrente o in un connettore a striscia e in cui il cavo esce dal dispositivo.
10. **PULIZIA** – Il dispositivo deve essere pulito secondo le istruzioni del produttore. Si consiglia di utilizzare un rullo antipeluchi o uno spolverino da casa come panno per le griglie.
11. **PERIODI DI NON UTILIZZO** – Il dispositivo deve essere disconnesso quando non viene utilizzato per lunghi periodi di tempo.
12. **INGRESSO PERICOLOSO** – Si deve prestare attenzione affinché oggetti estranei o liquidi non cadano o penetrino all'interno del dispositivo.
13. **DANNI CHE RICHIEDONO RIPARAZIONE** – Il dispositivo deve essere riparato da tecnici certificati quando:
 - Il cavo di collegamento o di alimentazione è stato danneggiato.
 - Degli oggetti sono caduti o del liquido è stato versato all'interno del dispositivo.
 - Il dispositivo è stato esposto all'umidità.
 - Il dispositivo non sembra funzionare correttamente o presenta un evidente cambiamento nelle prestazioni.
 - Il dispositivo è caduto o il contenitore si è danneggiato.
14. **ASSISTENZA** – Il dispositivo deve sempre essere riparato da tecnici certificati. Devono essere usate solo parti di ricambio specificate dal produttore. L'uso non autorizzato di parti sostitutive può provocare incendi, urti o altri pericoli.

Alimentazione

1. Il fusibile e il dispositivo di disconnessione dell'alimentazione si trovano sul retro del diffusore.
2. Il dispositivo di disconnessione è il cavo di alimentazione, staccabile sia dal lato del diffusore che sulla presa a parete.
3. Il cavo di alimentazione deve essere scollegato dal diffusore prima di fare manutenzione.



Questo simbolo sui nostri prodotti elettrici o la loro confezione indica che è vietato in Europa eliminare il prodotto in questione come rifiuto domestico. Per garantire che i prodotti siano smaltiti correttamente, disporre dei prodotti secondo le leggi e normative locali relative allo smaltimento di apparecchiature elettriche ed elettroniche attrezzature. In tal modo si fornisce un contributo alla conservazione delle risorse naturali e alla promozione della tutela ambientale col trattamento e lo smaltimento dei rifiuti elettronici.

Nos complace que ya forme parte de nuestra familia Definitive Technology.

Siamo lieti che tu sia entrato a far parte della nostra famiglia Definitive Technology.

Dedica qualche minuto per registrare il prodotto* in modo che abbiamo un registro completo del tuo acquisto. Facendolo ci aiuti a servirti al meglio possibile ora e in futuro. Inoltre, ci permette di contattarci per qualsiasi manutenzione o avviso di garanzia (se richiesto).

Registrati qui: <http://www.definitivetechology.com/registration>

Non hai internet? Chiama il Servizio Clienti

L-V 9:30-18:00 US ET allo (800) 228-7148 (USA e Canada), oppure 01 (410) 363-7148 (tutti gli altri paesi)

Nota: i dati che raccogliamo durante la registrazione online non sono mai venduti o distribuiti a terze parti.

**Il numero di serie si trova sul retro del manuale*

Togli dalla scatola il tuo Diffusore CS9000

Disimballa con attenzione il tuo diffusore per canale centrale BP9000. Si consiglia di salvare tutti i cartoni e i materiali di imballaggio nel caso in cui ti trasferisci o hai bisogno di spedire il tuo sistema. È importante conservare questo libretto, in quanto contiene il numero seriale del prodotto. È inoltre possibile trovare il numero seriale sul retro del diffusore BP9000 per canale centrale. Ogni diffusore lascia la nostra fabbrica in perfette condizioni. Qualsiasi danno visibile o nascosto molto probabilmente si è verificato nella gestione dopo che ha lasciato il nostro stabilimento. Se scopri eventuali danni di trasporto, segnalali al tuo rivenditore di Definitive Technology o alla società che ha consegnato il tuo altoparlante.

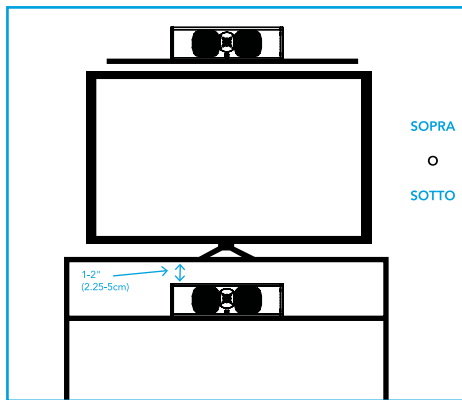


FIGURE 1 | Posizionamento altoparlante BP9000 con canale centrale

NOTA: ASSICURARSI CHE QUALSIASI RIPIANO UTILIZZATO PER IL CANALE CENTRALE SIA CERTIFICATO PER SOPPORTARE, ADEGUATAMENTE, ALMENO 36LBS

- UN ALTOPARLANTE CON CANALE CENTRALE DOVREBBE ESSERE POSIZIONATO IL PIÙ VICINO POSSIBILE ALLO SCHERMO, SENZA OSTACOLARNE LA VISUALE.
- PER SFRUTTARE AL MEGLIO I VANTAGGI DEI RADIATORI DEL BASSO, INTEGRATI NELL'ALTOPARLANTE CS, LASCIARE ALMENO 1-2" (2.5-SCM) DI SPAZIO FRA LA PARTE SUPERIORE DELL'ALTOPARLANTE E LA SUPERFICIE.

Accessori inclusi:

1. Cordino di alimentazione:

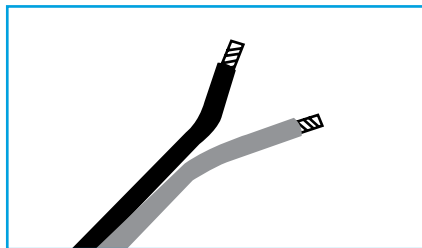
- US - Quantità (1) per i modelli CS9080 e CS9060
- EU/UK - Quantità (2) per i modelli CS9080 e CS9060

Posizionare i tuoi diffusori

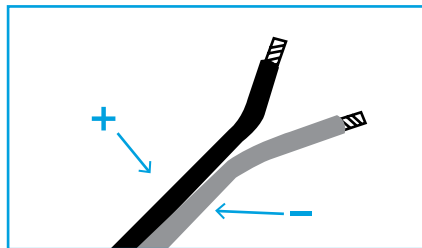
Il diffusore BP9000 a canale centrale è progettato per offrire immensa chiarezza e concentrazione sulla gamma vocale e per riprodurre con precisione persino i contenuti più esigenti. Per ottimizzare le prestazioni, segui queste semplici linee guida.

Anche se le seguenti raccomandazioni di solito produrranno i migliori risultati, tutte le impostazioni per stanze e punti di ascolto sono diverse, quindi non avere paura di sperimentare con il posizionamento dei diffusori. Qualunque cosa suoni bene per te è probabile correttamente installata.

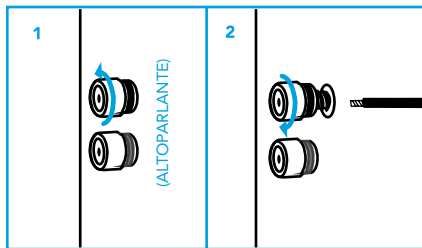
Connetti i tuoi diffusori



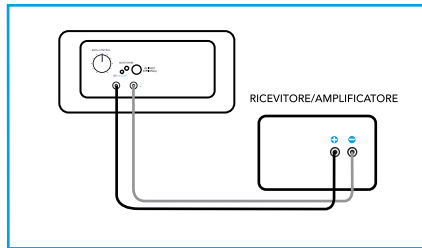
STACCA I FILI DA 1/4" (6MM)



1. IDENTIFICA I SEGNI SUI FILI E ASSEGNA IL +/-
2. INSERISCI GLI SPINOTTI A BANANA O I CONNETTORI IN QUESTO PUNTO SE DEL CASO



1. SVITA UN SET DI CONNETTORI E CONNETTI I FILI
2. STRINGI FINO AD ESSERE STRETTI



ASSICURATI CHE I DIFFUSORI SIANO SEMPRE CONNESSI AL RICEVITORE O AMPLIFICATORE+ AL + E IL - A -

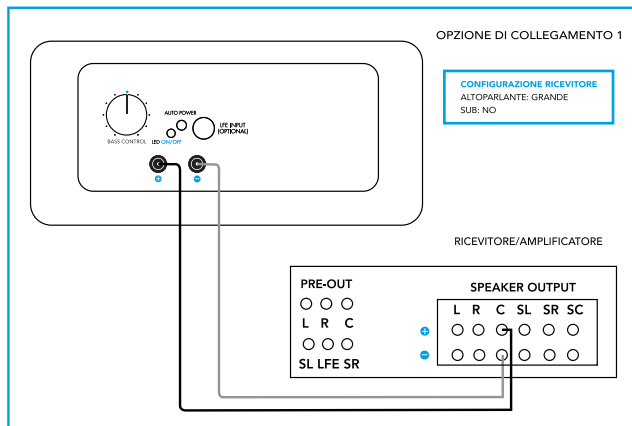
FIGURE 2 – Connessione e Polarità

Opzioni di connessione: connettore solo a livello di diffusore o livello di diffusore + LFE

Utilizza le funzioni manuali di configurazione dei diffusori nel tuo ricevitore o processore per impostare la configurazione dei diffusori, la distanza dei diffusori e il bilanciamento dei canali. Consulta il manuale del tuo ricevitore / processore per imparare ad accedere e utilizzare i menu di impostazione. Utilizza le impostazioni inserite in Figura 3.

Nota: consigliamo di non utilizzare le funzioni di configurazione automatica del tuo ricevitore in quanto possono essere inefficaci nella creazione e nella regolazione dei diffusori con subwoofer amplificati integrati.

Opzioni di connessione 1: solo a livello di diffusore (raccomandato)



L'opzione 1 offre un suono incredibilmente preciso e a pieno range. La rete interna cross-over distribuisce tutte le frequenze per i loro driver, e il subwoofer integrato funziona in armonia con l'insieme a media-gamma.

Indicazioni:

- Collega il filo dei diffusori dal ricevitore/amplificatore al livello di ingresso del diffusore sul retro del diffusore.
- Regola le impostazioni del ricevitore/ amplificatore su:
Diffusore (Grande); Subwoofer (No)

FIGURE 3 – Diagramma di connessione a livello solo di diffusore

Opzione di connessione 2: livello diffusore + LFE

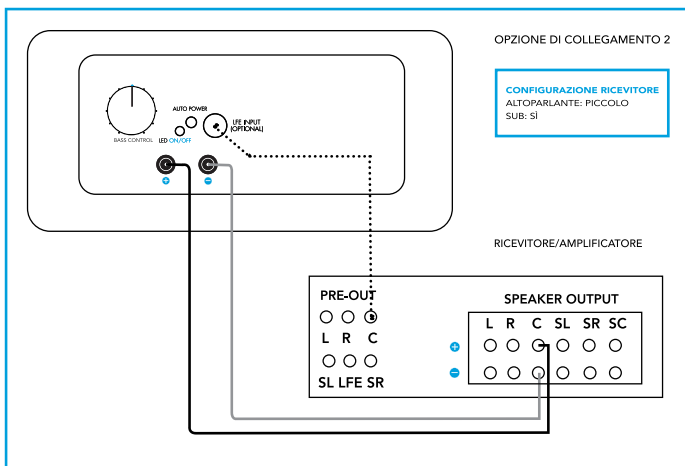


FIGURE 4 – Diagramma a livello di diffusore + connettore LFE

Per coloro che chiedono una maggiore personalizzazione, l'opzione 2 offre la possibilità di controllare la quantità di basse frequenze (quelle al di sotto del punto di crossover impostato nel tuo ricevitore / processore) inviati al subwoofer integrato. Se preferisci l'opzione 2, consigliamo vivamente di impostare il punto di crossover nel tuo ricevitore / processore a 80Hz o inferiore per evitare di disturbare la fusione delicata fra il subwoofer e il midrange. Inoltre deve essere considerato un attento equilibrio tra il livello di uscita del subwoofer del tuo ricevitore e il controllo dei bassi sul retro del diffusore. Noi raccomandiamo di iniziare con il controllo dei bassi alle 12. (Come mostrato nella figura 4.)

Indicazioni:

- Collega il filo del diffusore dal ricevitore / amplificatore all'ingresso del livello del diffusore sul retro del diffusore
- Collega il cavo RCA dal Pre-Out del canale centrale sul retro del ricevitore / processore all'ingresso LFE sul retro del canale centrale
- Regola il ricevitore o le impostazioni del processore su: Dissuore (Piccolo); Subwoofer (Si)

Alimentazione del Subwoofer Attivo (solo CS9080 e CS9060)

Per i proprietari di CS9080 e CS9060, il diffusore per canale centrale BP9000 contiene un subwoofer integrato alimentato per estendere la risposta in frequenza e la gamma dinamica del canale centrale.

In quanto tale, il tuo canale centrale deve essere collegato ad una presa di corrente, in modo da alimentare il subwoofer integrato. Per evidenziare i subwoofer integrati alimentati, noterai un logo LED "D" sul pannello anteriore in fondo in ogni diffusore per canale centrale BP9000. Il canale centrale CS9040 utilizza un diffusore basso passivo e riceve energia dal tuo amplificatore. Questo logo sarà di default su "on" ma può essere completamente disattivato semplicemente premendo il pulsante LED ON / OFF sul retro del diffusore. Quando abilitato, il logo LED si attiverà solo dopo aver ricevuto un segnale attivo dal ricevitore / processore. Si spegnerà automaticamente / andrà in standby dopo 20 minuti di assenza di un segnale attivo.

Nota: non collegare l'ingresso BassoLivello all'uscita LFE del ricevitore. I diffusori per canale centrale non sono progettati per fare da subwoofer dedicato.

Controllo Bassi Intelligente™

Definitive Technology crede da molto tempo che il miglior diffusore sia quello che riproduce un segnale audio di gamma completa nel modo più preciso possibile. La nostra firma sonora consente non solo di ascoltare ciò è sullo schermo, ma anche di sentirlo. Il Controllo Bassi Intelligente™ (disponibile solo sui modelli CS9060 e CS9080) ti dà la possibilità di modulare bassi profondi in alto o in basso a livello di volume, mantenendo allo stesso tempo l'ottimale chiarezza di gamma media indipendentemente da dove si trova il basso. Semplicemente ruota il selettore sul retro del diffusore sulle impostazioni dei bassi preferiti e l'altoparlante farà il resto. Questo è tutto. Si consiglia di iniziare nel punto centrale e regolare a proprio piacimento da lì. Per istruzioni avanzate sul Controllo Bassi Intelligente™, tra cui l'integrazione con correzione ambientale software (es. Audyssey), si prega di visitare il nostro sito o di chiamarci.

	CS9040	CS9060	CS9080
SPECIFICHE			
DIMENSIONS	5.95" H x 20.75" W x 12" D (15.1cm H x 52.7cm W x 30.4 cm D)	5.95" H x 20.75" W x 12" D (15.1cm H x 52.7cm W x 30.4 cm D)	7" H x 23" W x 14.25" D (17.8cm H x 58.4cm W x 36.2 cm D)
PESO DEL PRODOTTO	20 lbs.	26 lbs.	36 lbs.
DRIVER COMPLEMENT	(2) 4.5" (11.4 cm) drivers, (1) 1" (2.5 cm) tweeter in alluminio	(2) 4.5" (11.4 cm) drivers, (1) 1" (2.5 cm) tweeter in alluminio	(2) 5.25" (13.3") drivers, (1) 1" (2.5 cm) tweeter in alluminio
DRIVER COMPLEMENT NEI SISTEMI SUBWOOFER	(1) 8" (20.3cm) diffusore bassi	(1) 8" (20.3cm) woofer;	(1) 8" (20.3cm) woofer; (1) 10" (25.4 cm) diffusore bassi
RISPOSTA IN FREQUENZA	50Hz-40kHz	50Hz-40kHz	24Hz-40kHz
SENSITIVITÀ	89dB SPL	91dB SPL	91dB SPL
IMPEDEZA NOMINALE	8 ohms	8 ohms	8 ohms
POTENZA IN INGRESSO RACCOMANDATA	50-200W	50-300W	50-300W
POTENZA AMPLIFICATORE INTERNO	Nessuno	80W	200W

Assistenza tecnica

È nostro piacere offrire assistenza in caso di domande riguardanti il tuo BP9000 o la sua installazione. Contatta il più vicino rivenditore di Definitive Technology e telefona direttamente al (800) 228-7148 (USA e Canada), oppure a 01 (410) 363-7148 (tutti gli altri paesi) oppure invia una email info@definitivetech.com. Il supporto tecnico è offerto solo in inglese.

Risoluzione dei problemi

Se incontri difficoltà con i tuoi diffusori BP9000 per canale centrale, prova i suggerimenti qui di seguito. Se avessi ancora problemi, rivolgiti al rivenditore autorizzato Definitive Technology per assistenza.

1. La distorsione udibile quando i diffusori diffondono il suono a livelli elevati è causata alzando il tuo ricevitore o amplificatore più forte di quanto il ricevitore o gli altoparlanti sono in grado di riprodurre. La maggior parte dei ricevitori ed amplificatori danno in uscita la piena potenza ben prima che il controllo del volume sia alzato fino al massimo, per cui la posizione del controllo di volume è un indicatore minimo al suo limite di potenza. Se i tuoi diffusori distorcono quando riproducono la musica alta, abbassa il volume!
2. Se si verifica una scarsità di bassi, è probabile che un diffusore sia fuori fase (polarità) rispetto all' altro e deve essere riavvolto con maggiore attenzione al collegamento positivo al positivo e negativo al negativo su entrambi i canali. La maggior parte dei cavi dei diffusori ha qualche indicatore (come una codifica con i colori, una nervatura o una scritta) su uno dei due conduttori per aiutarti a mantenere la coerenza. Inoltre, è essenziale collegare entrambi i diffusori all'amplificatore nella stesso modo (in fase). Si può anche verificare una scarsità di bassi se la manopola del volume dei bassi è abbassata o meno.
3. Assicurati che tutte le interconnessioni di sistema e i cavi di alimentazione siano saldamente al loro posto.
4. Se senti un ronzio o un rumore proveniente dai tuoi diffusori, prova a collegare le spine di alimentazione dei diffusori in un circuito di corrente diverso da quello dell'amplificatore.
5. Il sistema ha un sofisticato circuito di protezione interna. Se per qualche ragione la protezione blocca i circuiti, spegni il sistema e attendi cinque minuti prima di provare di nuovo il sistema. Se l'amplificatore incorporato nei diffusori dovesse surriscaldarsi, il sistema si spegnerà fino a quando l'amplificatore si raffredda e si resetta.
6. Controlla per assicurarti che il tuo cavo di alimentazione non sia stato danneggiato.
7. Controlla che corpi estranei o liquido non siano entrati nel contenitore.
8. Se non riesci a fare in modo che il driver del subwoofer si attivi o se non viene emesso alcun suono e senza dubbio il sistema è impostato correttamente, porta il diffusore al tuo Rivenditore autorizzato di Definitive Technology per assistenza; chiama prima di recarti lì.

Uffici della Definitive Technology

1 Viper Way, Vista, CA 92081

Telefono: (800) 228-7148 (USA e Canada), 01 (410) 363-7148 (tutti gli altri paesi)

Assistenza

L'assistenza e gli interventi in garanzia sui tuoi diffusori della Definitive saranno di norma effettuati dal tuo rivenditore locale Definitive Technology. Se, tuttavia, desideri rimandarci il diffusore, contattaci prima, descrivendo il problema e richiedendo l'autorizzazione nonché la posizione del più vicino centro di assistenza. Considera che l'indirizzo riportato in questo opuscolo è solo l'indirizzo dei nostri uffici. In nessun caso i diffusori possono essere spediti ai nostri uffici o restituiti senza averci prima contattato ed aver ottenuto l'autorizzazione alla restituzione.

Garanzia limitata:

5-anni per Driver e Cabinati, 3 anni per i componenti elettronici

DEI Sales Co., dba Definitive Technology (di seguito "Definitive") garantisce all'acquirente al dettaglio originale solo che questo prodotto diffusore di Definitive (il "Prodotto") sia privo di difetti nei materiali e nella lavorazione per un periodo di cinque (5) anni che copre i driver ed i cabinati, e tre (3) anni per i componenti elettronici dalla data di acquisto originale da un rivenditore autorizzato Definitive. Se il prodotto è difettoso nei materiali o nella lavorazione, Definitive o il suo rivenditore autorizzato, a propria discrezione, ripara o sostituisce il prodotto in garanzia senza alcun ulteriore costo, salvo quanto di seguito riportato. Tutte le parti sostituite e del(i) prodotto (i) diventano proprietà di Definitive.

Il prodotto deve essere restituito (assicurato e prepagato), insieme alla ricevuta originale con la data dell'acquisto, al rivenditore autorizzato da cui è stato acquistato, o al centro di assistenza Definitive più vicino. Il prodotto deve essere spedito nella sua confezione originale, o in una confezione equivalente. Definitive non è responsabile per lo smarrimento o per eventuali danni al prodotto durante il trasporto. Questa garanzia non comprende il servizio o le parti necessarie per riparare i danni causati da incidenti, uso improprio, abuso, negligenza, imballaggio insufficiente o procedure di spedizione, uso commerciale, tensione superiore al tasso nominale massimo dell'apparecchio, l'aspetto estetico del cabinato non direttamente imputabili a difetti di materiale o di lavorazione. Questa garanzia non comprende l'eliminazione del rumore statico o generato esternamente, o la correzione dei problemi di antenna o di ricezione debole. Questa garanzia non copre i costi del lavoro o danni al prodotto causati da installazione o dalla rimozione del prodotto. Definitive Technology non rilascia alcuna garanzia in relazione ai propri prodotti acquistati da rivenditori o punti vendita diversi dal rivenditore autorizzato Definitive Technology.

LA GARANZIA È AUTOMATICAMENTE NULLA SE:

- 1) Il prodotto è stato danneggiato, in qualche modo alterato, maltrattato durante il trasporto, o manomesso.
- 2) Il prodotto è danneggiato a causa di incidente, incendio, cibo, uso irragionevole, uso improprio, abuso, detersivi applicati dal cliente, mancato rispetto delle avvertenze di produttore, negligenza o eventi correlati.
- 3) La riparazione o la modifica del Prodotto non è stata fatta o autorizzata da Definitive Technology.
- 4) Il prodotto è stato installato o utilizzato non correttamente.

Il prodotto deve essere restituito al Rivenditore da cui il prodotto è stato acquistato (assicurato e prepagato), insieme con l'originale prova di acquisto datata, o al centro di assistenza autorizzato più vicino Definitive. Il Prodotto deve essere spedito nel contenitore di spedizione originale o in un suo equivalente. Definitive non è responsabile né ha alcun obbligo per la perdita o il danneggiamento del Prodotto durante il trasporto.

QUESTA GARANZIA LIMITATA È LA SOLA GARANZIA ESPLICITA CHE SI APPLICA AL TUO PRODOTTO. DEFINITIVE NON SI ASSUME NÉ AUTORIZZA ALCUNA PERSONA O ENTITÀ AD ASSUMERE PER SUO CONTO ALTRA OBBLIGAZIONE O RESPONSABILITÀ IN RELAZIONE CON IL PRODOTTO O QUESTA GARANZIA. TUTTE LE ALTRE GARANZIE, COMPRESSE MA NON LIMITATE A, GARANZIA ESPRESSA O IMPLICITA DI COMMERCIALITÀ O IDONEITÀ PER UNO SCOPO PARTICOLARE, SONO ESPRESSAMENTE ESCLUSE E DISCONOSCIUTE NELLA MISURA MASSIMA CONSENTITA DALLA LEGGE. TUTTE LE GARANZIE SUL PRODOTTO SONO LIMITATE ALLA DURATA DELLA PRESENTE GARANZIA ESPLICITA. DEFINITIVE NON HA NESSUNA RESPONSABILITÀ PER ATTI DI TERZI. LA RESPONSABILITÀ DI DEFINITIVE, SIA BASATA SU CONTRATTO, TORTO, OGGETTIVA RESPONSABILITÀ, O QUALSIASI ALTRA TEORIA, NON DEVE SUPERARE IL PREZZO DI ACQUISTO DEL PRODOTTO PER IL QUALE LA DOMANDA È STATA FATTA. IN NESSUN CASO PUÒ ESSERE ADDEBITATA A DEFINITIVE LA RESPONSABILITÀ PER DANNI DIRETTI, INDIRETTI O SPECIALI. L'UTENTE ACCETTA ED ACCONSENTE CHE TUTTE LE CONTROVERSIE TRA LUI E DEFINITIVE SIANO RISOLTE NEL RISPETTO DELLE LEGGI DELLA CALIFORNIA E DELLA CONTEA DI SAN DIEGO, CALIFORNIA. DEFINITIVE SI RISERVA IL DIRITTO DI MODIFICARE QUESTA GARANZIA IN QUALSIASI MOMENTO.

Alcuni stati non consentono l'esclusione o la limitazione dei danni diretti o indiretti, o delle

Garanzie implicite, pertanto le limitazioni di cui sopra potrebbero non essere applicabili al tuo caso. Questa garanzia fornisce specifici diritti legali, e potresti anche avere altri diritti che variano da stato a stato.

©2016 DEI Sales Co. Tutti i diritti riservati.

SERIAL NUMBER



Definitive Technology
1 Viper Way
Vista, CA 92081
(800) 228-7148

www.definitivetechology.com

HBP3623D