



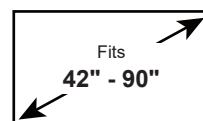
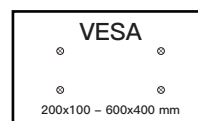
The ERMML4-01B full motion mount fits most 42" to 90" TVs up to 130 lbs. Enhanced movement provides up to 15 degree tilt and 60 degree swivel for the best viewing angle. IsoTILT™ technology ensures TV tilt angle will not drift. The industry-leading construction allows effortless TV positioning regardless of size and weight. Integrated cable management helps to conceal unsightly power and HDMI cables.

### Features

- IsoTILT™ technology ensures TV tilt angle will not drift.
- Industry-leading design allows effortless TV positioning regardless of size and weight.
- Advanced industrial design and streamlined look complements today's sleek TVs.
- Enhanced movement provides up to 15° tilt and 60° swivel for the best viewing angle.
- Integrated cable management helps to conceal unsightly power and HDMI cables.
- Fits 42" to 90" TVs up to 130 lbs in weight.



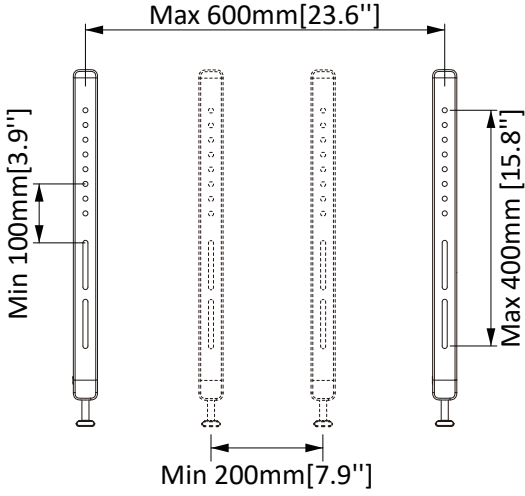
### TV Compatibility



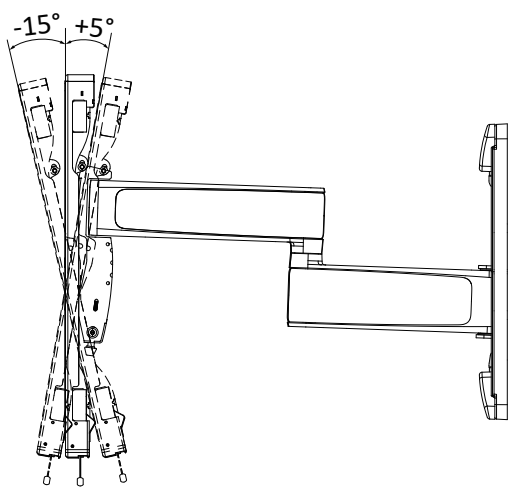
**Model Number**      **ERMML4-01B**      **WARRANTY:**      **5-Year**

Product Specifications	DIMENSIONS (W x H x D)	PRODUCT WEIGHT	LOAD CAPACITY	FINISH	AVAILABLE COLORS
	38" x 23.8" x 31"	33 lbs.	130 lbs.	Powder Coating	Black
970mm x 605mm x 787.5mm	15 KG	59 KG			

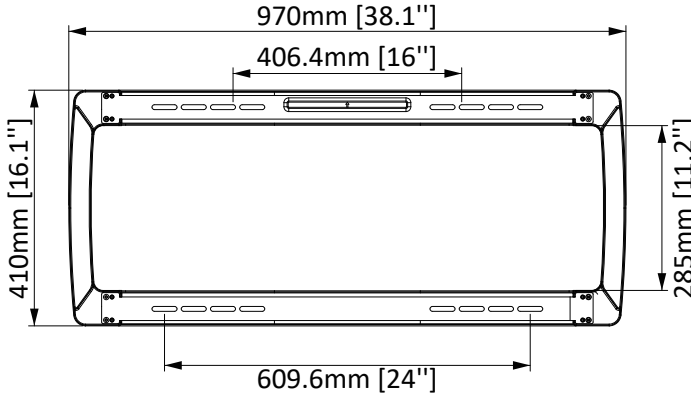
### Product Dimensions



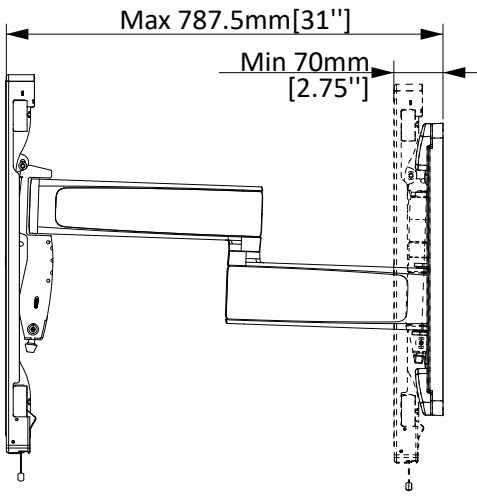
**TV INTERFACE**



**SIDE VIEW - TILTING**



**WALL PLATE**



**SIDE VIEW**