

IC-SW-8T2

IN-CEILING SUBWOOFER

Klipsch



OWNER'S MANUAL AND WARRANTY

IC-SW-8T2

Thank you for purchasing your Klipsch IC-SW-8T2 in-ceiling subwoofer.

The IC-SW-8T2 in-ceiling speaker is designed for music reinforcement applications. Unobtrusive, these loudspeakers are engineered for easy, versatile installation.

The IC-SW-8T2 features a transformer-less design for 70.7V/100V distributed-line systems. Some of the benefits of this design are: Elimination of transformer saturation at high output levels, elimination of transformer insertion losses, improved bandwidth (particularly at low frequencies), and improves power transfer to the loudspeaker at low frequencies. For applications where 4 ohm mono or 8 ohm stereo operation is required, the mode of operation can be selected by using an optional connection located on the back input terminal and by properly setting the rotary switch located under the grill.

Before installing your speakers take a moment to check the contents of the cartons and make sure nothing has been damaged in transit.

Contents Description	QUANTITY
Speaker Module	1
Grille	1
Reinforcement Ring	1
Rails	2
Cardboard Cutout Template and Paint Mask	1
Screws (Attach Rails to Reinforcement Ring)	2

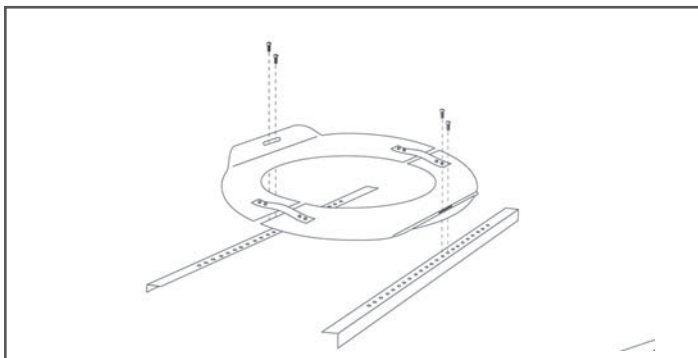
Installation Guidelines

The IC-SW-8T2 includes a tilebridge for use when installing the loudspeaker into suspended ceilings or wherever additional reinforcement of the ceiling material is required. The tilebridge and loudspeaker are designed such that installation may be accomplished where access above the ceiling is not possible or may be difficult.

Installation

1. The tilebridge is composed of three parts—a reinforcement ring and two rails. The two rails should be attached to the reinforcement ring using the two included screws as shown below.

Caution: Be sure to comply with any and all building codes in your area.

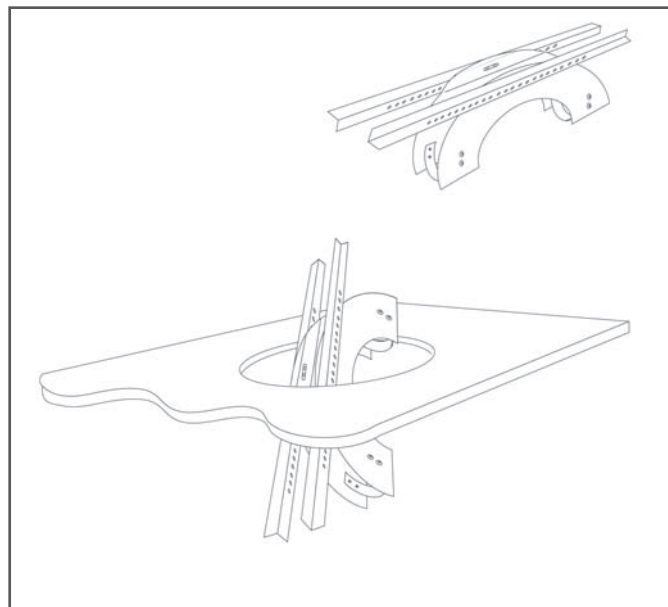


2. To install your IC-SW-8T2 cut out a hole in the ceiling using either the cardboard cutout template provided with your speaker or consult the measurements below. Pull wiring through hole.

IC-SW-8T2

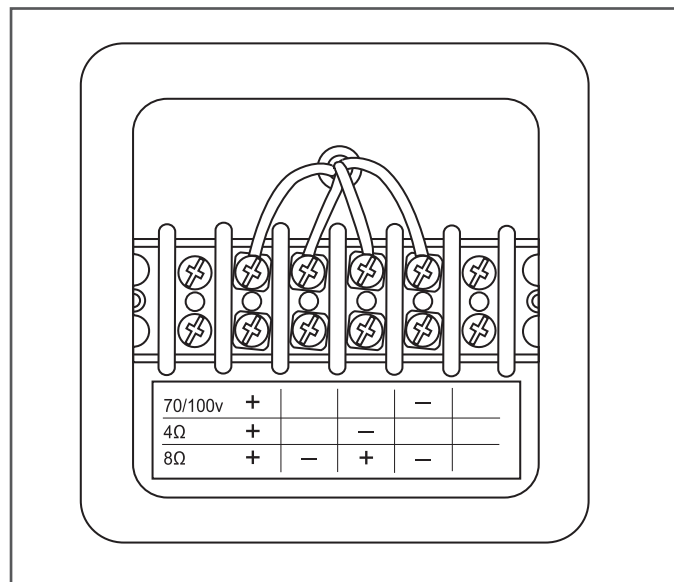
12.5" Round

3. To install the tilebridge, fold the rail side of the ring back upon itself using the spring tensioner on the reinforcement ring to allow insertion into the cutout hole. Once it is inserted into the cutout hole, release the reinforcement ring such that it unfolds back to its normal position. Position tilebridge over cutout hole.

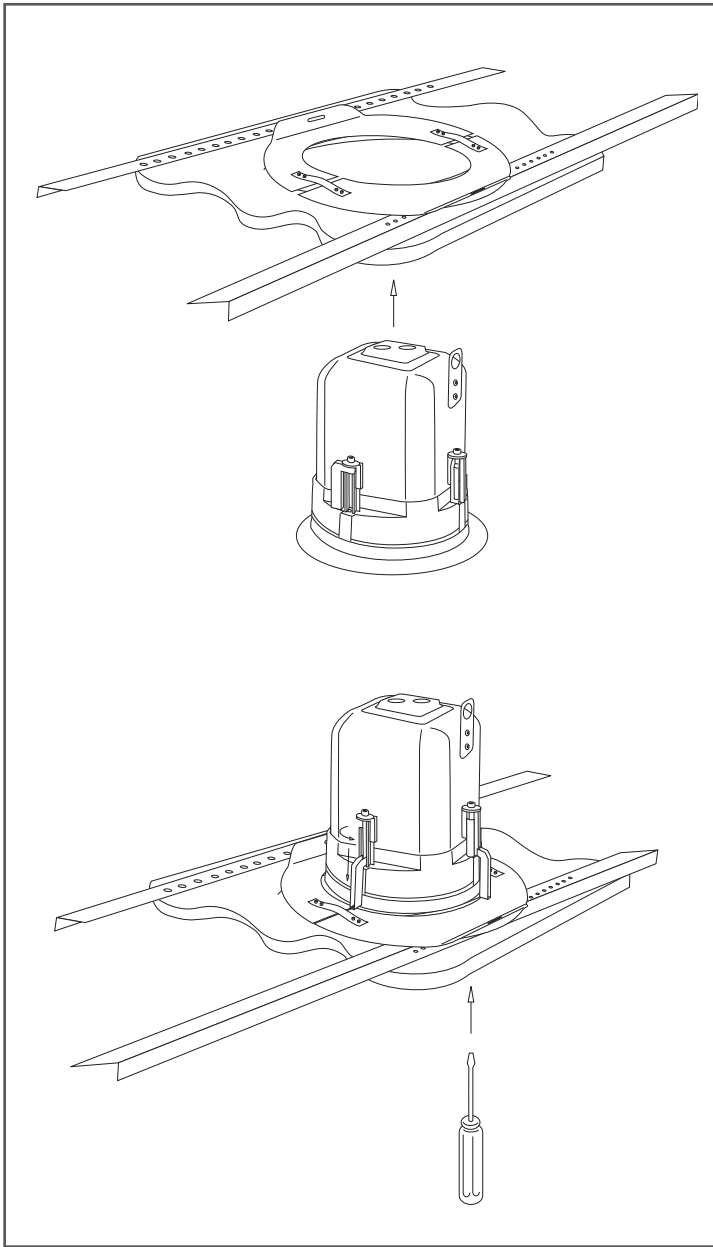


4. The wiring compartment is intended as a termination point for the audio circuit. Access to this compartment is gained by removing the terminal cover located on the back of the speaker. The terminal cover will accept the appropriate conduit/wire adapter. Feed wires through conduit/wire adapter and connect to the input terminal according to the desired operation mode. Be sure to observe proper polarity. Replace the terminal cover and tighten the conduit/wire adapter to secure the wire.

Caution: When connecting 70V or 100V distributed line systems, take care to ensure proper terminal connection. Connection to the low impedance terminal could result in speaker damage, amplifier damage, or both.



5. Insert the speaker into the cutout hole. With a #2 Phillips screwdriver, tighten the four dog clamps until they are seated securely against the ceiling surface. Do not overtighten.

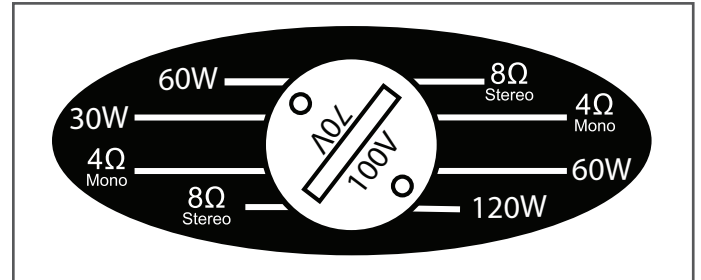


6. For installations using 70v/100v input connection, set the switch on the front panel to "70V/100V".

For low impedance, stereo applications, the switch should be set to 8 ohms stereo.

For low impedance, mono applications, the switch should be set to 4 ohm mono.

In all cases, please make sure the speaker wires are connected to the appropriate terminal on the back.



IC-SW-8T2 tap selectable

7. Using the flat of your hand, insert grille into speaker frame making sure it is securely seated and flush.

Seismic Tab

A seismic tab, located on the back of the speaker, is used as a secondary security point. Some construction codes may require its use. To utilize the seismic tab, run a support wire from a secure point in the ceiling and attach it to the tab.

Be sure to consult the construction codes in your area. Klipsch recommends the use of this tab in all installations as a secondary means of support.

I C - S W - 8 T 2 SPECIFICATIONS



IC-SW-8T2

FREQUENCY RESPONSE	50-130 Hz +/- 4 dB
CONT. POWER HAND.	150 watts (27 V)
CALC MAX CONT. OUTPUT @ 1M	111 dB
SENSITIVITY 2.83 V/1M	92 dB
COVERAGE	N/A
DI	N/A
Q	N/A
NOMINAL IMPEDANCE	6 ohms, min 4.9 ohms, switch set to mono or stereo position
DIAMETER	14.125"
CUTOUT DIAMETER	14.25"
OVERALL DEPTH	13.625"
MOUNTING DEPTH	13.313"
WEIGHT	23 lbs.
INPUT CONNECTORS	Terminal Strip
TRANSFORMER TAPS	70V: 60W, 30W 100V: 120W, 60W
FINISHES	White
TRANSDUCERS	8" Woofer AND 8" Drone
ENCLOSURE TUNING	Bandpass via an 8" Drone

Klipsch[®]

3502 Woodview Trace, Suite 200
Indianapolis, Indiana 46268 USA
1-800-KLIPSCH • www.klipsch.com