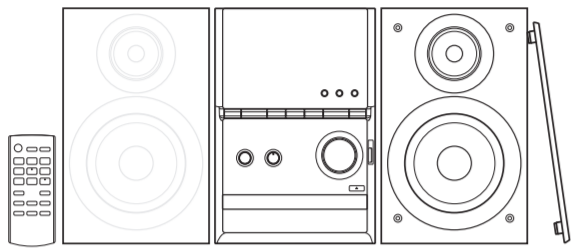


# Panasonic

## Operating Instructions CD Stereo System

Model No. **SC-PM602**  
**SC-PM600**



Thank you for purchasing this product.  
For optimum performance and safety, please read these instructions carefully.  
Please keep this manual for future reference.

\*"EB" indicates the United Kingdom model.

Manufactured by: **Panasonic Corporation**  
Kadoma, Osaka, Japan  
Importer for Europe: **Panasonic Marketing Europe GmbH**  
Panasonic Testing Centre  
Winsbergring 11, 22525 Hamburg, Germany



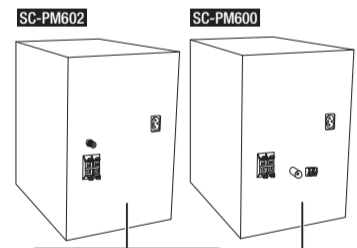
**Panasonic Corporation**  
Web Site: <http://www.panasonic.com>

EB GN En  
RQT0B11-B  
L0216CH0

Your system and the illustrations can look differently.  
These operating instructions are applicable to the following system.

SC-PM602 : Indicate features applicable to SC-PM602.  
SC-PM600 : Indicate features applicable to SC-PM600.

System	SC-PM602	SC-PM600
Main unit	SA-PM602	SA-PM600
Speakers	SB-PM500	SB-PM500



CLASS 1  
LASER PRODUCT

Back of product

### Supplied accessories

Check and identify the supplied accessories.

SC-PM602  
Use numbers indicated in parentheses when asking for replacement parts. (Product numbers correct as of January 2016. These may be subject to change.)

- 1 AC mains lead (K2CT2YY00097)
- 1 DAB antenna (RFA3864)



- 1 Remote control (N2QAYB000984)

SC-PM600

- 1 AC mains lead
- 1 AM loop antenna
- 1 FM indoor antenna



- 1 Remote control (N2QAYB000984)

### Caution for AC mains lead

(For the AC mains plug of three pins)

For your safety, please read the following text carefully.

This appliance is supplied with a moulded three pin mains plug for your safety and convenience. A 5-ampere fuse is fitted in this plug. Should the fuse need to be replaced please ensure that the replacement fuse has a rating of 5-ampere and that it is approved by ASTA or BSI to BS1362.

Check for the ASTA mark or the BSI mark on the body of the fuse.

If the plug contains a removable fuse cover you must ensure that it is refitted when the fuse is replaced.

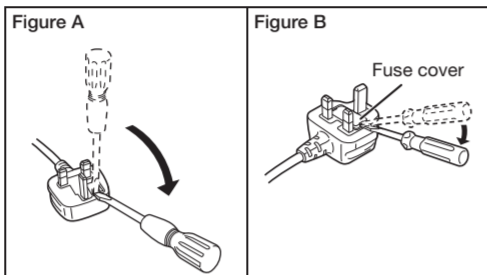
If you lose the fuse cover the plug must not be used until a replacement cover is obtained. A replacement fuse cover can be purchased from your local dealer.

**Before use**  
Remove the connector cover.

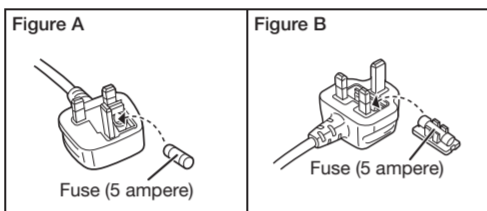
#### How to replace the fuse

The location of the fuse differ according to the type of AC mains plug (figures A and B). Confirm the AC mains plug fitted and follow the instructions below. Illustrations may differ from actual AC mains plug.

1. Open the fuse cover with a screwdriver.



2. Replace the fuse and close or attach the fuse cover.



### Disposal of Old Equipment and Batteries

These symbols on the products, packaging, and/or accompanying documents mean that used electrical and electronic products and batteries must not be mixed with general household waste.

For proper treatment, recovery and recycling of old products and used batteries, please take them to applicable collection points in accordance with your national legislation. By disposing of them correctly, you will help to save valuable resources and prevent any potential negative effects on human health and the environment.

For more information about collection and recycling, please contact your local municipality. Penalties may be applicable for incorrect disposal of this waste, in accordance with national legislation.

Note for the battery symbol (bottom symbol): This symbol might be used in combination with a chemical symbol. In this case it complies with the requirement set by the Directive for the chemical involved.

### Sales and Support Information

For the United Kingdom and Ireland

#### Customer Communications Centre

- For customers within the UK: 0344 844 3899
- For customers within Ireland: 01 289 8333
- Monday – Friday 9:00am – 5:00pm (Excluding public holidays).
- For further support on your product, please visit our website: [www.panasonic.co.uk](http://www.panasonic.co.uk)

#### Direct Sales at Panasonic UK

- Order accessory and consumable items for your product with ease and confidence by phoning our Customer Communications Centre Monday – Friday 9:00am – 5:00pm (Excluding public holidays).
- Or go on line through our Internet Accessory ordering application at [www.pas-europe.com](http://www.pas-europe.com).
- Most major credit and debit cards accepted.
- All enquiries transactions and distribution facilities are provided directly by Panasonic UK.
- It couldn't be simpler!
- Also available through our Internet is direct shopping for a wide range of finished products. Take a browse on our website for further details.

### Limited Warranty (Australia)

#### Panasonic Warranty

- The product is warranted for 12 months from the date of purchase. Subject to the conditions of this warranty Panasonic or its Authorised Service Centre will perform necessary service on the product without charge for parts or labour, if in the opinion of Panasonic, the product is found to be faulty within the warranty period.
- This warranty only applies to Panasonic products purchased in Australia and sold by Panasonic Australia or its Authorised Distributors or Dealers and only where the products are used and serviced within Australia or its territories. Warranty cover only applies to service carried out by a Panasonic Authorised Service Centre and only if valid proof of purchase is presented when warranty service is requested.
- This warranty only applies if the product has been installed and used in accordance with the manufacturer's recommendations (as noted in the operating instructions) under normal use and reasonable care (in the opinion of Panasonic). The warranty covers normal domestic use only and does not cover damage, malfunction or failure resulting from use of incorrect voltages, incorrect installation, accident, misuse, neglect, build-up of dirt or dust, abuse, maladjustment of customer controls, mains supply problems, thunderstorm activity, infestation by insects or vermin, tampering or repair by unauthorised persons (including unauthorised alterations), introduction of sand, humidity or liquids, commercial use such as hotel, office, restaurant, or other business or rental use of the product, exposure to abnormally corrosive conditions or any foreign object or matter having entered the product.
- This warranty does not cover the following items unless the fault or defect existed at the time of purchase:
  - Cabinet Part(s)
  - Video or Audio Tapes
  - SD cards or USB devices
  - User replaceable Batteries
  - DVD, Blu-ray or Recordable Discs
  - Video / Audio Heads from wear and tear in normal use
  - Information stored on Hard Disk Drive, USB stick or SD card
  - DTV reception issues caused by TV Aerial / Cabling / Wall socket(s) etc
- Some products may be supplied with Ethernet connection hardware. The warranty is limited on such products and will not cover:
  - Internet and or DLNA connection / setup related problems
  - Access fees and or charges incurred for internet connection
  - The use of incompatible software or software not specifically stipulated in the product operations manual; and
  - Any indirect or consequential costs associated with the incorrect use or misuse of the hardware, its connection to the internet or any other device.
- To claim warranty service, when required, you should:
  - Telephone Panasonic's Customer Care Centre on 132600 or visit our website referred to below and use the Service Centre Locator for the name / address of the nearest Authorised Service Centre.
  - Send or take the product to a Panasonic Authorised Service Centre together with your proof of purchase receipt as a proof of purchase date. Please note that freight and insurance to and / or from your nearest Authorised Service Centre must be arranged by you.
  - Note that home or pick-up / delivery service is available for the following products in the major metropolitan areas of Australia or the normal operating areas of the nearest Authorised Service Centres:
    - Plasma / LCD televisions / displays (screen size greater than 103 cm)
- The warranties hereby conferred do not extend to, and exclude, any costs associated with the installation, de-installation or re-installation of a product, including costs related to the mounting, de-mounting or remounting of any screen, (and any other ancillary activities), delivery, handling, freight, transportation or insurance of the product or any part thereof or replacement of and do not extend to, and exclude, any damage or loss occurring by reason of, during, associated with, or related to such installation, de-installation, re-installation or transit.

Panasonic Authorised Service Centres are located in major metropolitan areas and most regional centres of Australia, however, coverage will vary dependent on product. For advice on exact Authorised Service Centre locations for your product, please telephone our Customer Care Centre on 132600 or visit our website and use the Service Centre Locator.

In addition to your rights under this warranty, Panasonic products come with consumer guarantees that cannot be excluded under the Australian Consumer Law. If there is a major failure with the product, you can reject the product and elect to have a refund or to have the product repaired or if you wish you may elect to keep the goods and be compensated for the drop in value of the goods. You are also entitled to have the product repaired or replaced if the product fails to be of acceptable quality and the failure does not amount to a major failure.

If there is a major failure in regard to the product which cannot be remedied then you must notify us within a reasonable period by contacting the Panasonic Customer Care Centre. If the failure in the product is not a major failure then Panasonic may choose to repair or replace the product and will do so in a reasonable period of time from receiving notice from you.

**THIS WARRANTY CARD AND THE PURCHASE DOCKET (OR SIMILAR PROOF OF PURCHASE) SHOULD BE RETAINED BY THE CUSTOMER AT ALL TIMES**

If you require assistance regarding warranty conditions or any other enquiries, please visit the **Panasonic Australia** website [www.panasonic.com.au](http://www.panasonic.com.au) or contact by phone on 132 600. If phoning in, please ensure you have your operating instructions available.

#### Panasonic Australia Pty. Limited

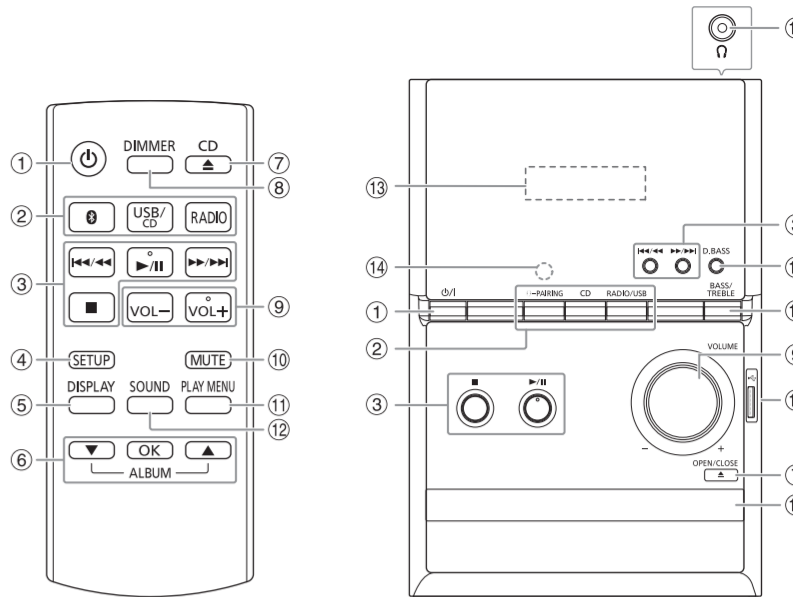
ACN 001 592 187 ABN 83 001 592 187  
1 Innovation Road, Murrumbidgee Park NSW 2113

PRO-031-F11 Issue: 4.0

01-01-2011

### Overview of controls

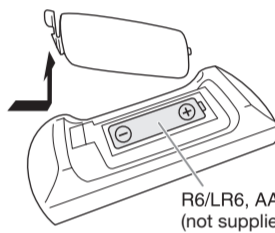
Do the procedures with the remote control. You can also use the buttons on the main unit if they are the same.



- Standby/on switch** [0], [0/1]  
Press to switch the unit from on to standby mode or vice versa. In standby mode, the unit is still consuming a small amount of power.
- Select the audio source**  
On the main unit:  
To start Bluetooth® pairing, press and hold [P-PAIRING].
- Basic playback control
- View the setup menu
- View the content information
- Select or confirm the option
- Open or close the disc tray
- Decrease the brightness of the display panel  
To cancel, press the button again.
- Adjust the volume level
- Mute the sound  
To cancel, press the button again. "MUTE" is also cancelled when you adjust the volume or when you switch off the system.
- View the play menu
- Select the sound effects
- Display panel

- Remote control sensor**  
Distance: Within approximately 7 m  
Angle: Approximately 20° up and down, 30° left and right
- Headphones jack** (⌀)  
Plug type: ⌀ 3.5 mm stereo (not supplied)
  - Excessive sound pressure from earphones and headphones can cause hearing loss.
  - Listening at full volume for long periods may damage the user's ears.
- USB port (←)
- Disc tray

### Preparing the remote control



Use alkaline or manganese battery.

Install the battery so that the poles (+ and -) align with those in the remote control.

### Specifications

#### Amplifier section

**RMS output power**  
Front Ch (both ch driven)  
20 W per channel (6 Ω), 1 kHz, 10% THD  
Total RMS power 40 W

#### Terminal section

**Headphones jack**  
Terminal Stereo, 3.5 mm jack

#### Tuner section

SC-PM602  
**Preset memory** FM 30 stations

**Frequency modulation (FM)**  
Frequency range 87.50 MHz to 108.00 MHz (50 kHz step)  
Antenna terminals 75 Ω (unbalanced)

SC-PM600  
**Preset memory** FM 30 stations  
AM 15 stations

**Frequency modulation (FM)**  
Frequency range 87.50 MHz to 108.00 MHz (50 kHz step)  
Antenna terminals 75 Ω (unbalanced)

**Amplitude modulation (AM)**  
Frequency range 522 kHz to 1629 kHz (9 kHz step)  
520 kHz to 1630 kHz (10 kHz step)

#### DAB+ section

SC-PM602  
**DAB memories** 20 channels

**Frequency band (wavelength)**  
Band III (All region)  
5A to 13F (174.928 MHz to 239.200 MHz)

**Sensitivity \*BER 4x10<sup>-4</sup>**  
Min requirement -98 dBm

**DAB external antenna**  
Terminal F - Connector (75 Ω)

#### Disc section

**Disc played** (8 cm or 12 cm)  
CD, CD-R/RW (CD-DA, MP3\*)

**Pick up**  
Wavelength 790 nm (CD)

\* MPEG-1 Layer 3, MPEG-2 Layer 3

#### USB section

**USB port** DC OUT 5V, 500 mA  
**USB standard** USB 2.0 full speed  
**Media file format support** MP3 (\*.mp3)  
**USB device file system** FAT12, FAT16, FAT32

#### Bluetooth® section

**Version** Bluetooth® Ver. 2.1 + EDR  
**Class** Class 2  
**Supported profiles** A2DP, AVRCP  
**Operating frequency** 2.4 GHz band FH-SS  
**Operation distance** 10 m line of sight

#### Speaker section

**Speaker unit(s)**  
Woofer 10 cm cone type x 1 per channel  
Tweeter 6 cm cone type x 1 per channel  
**Impedance** 6 Ω  
**Dimensions (W x H x D)** 145 mm x 224 mm x 197 mm  
**Mass** 1.9 kg

#### General

**Power supply** AC 220 V to 240 V, 50 Hz  
**Power consumption** 17 W  
**Dimensions (W x H x D)** 153 mm x 224 mm x 232 mm  
**Mass** 1.4 kg  
**Operating temperature range** 0°C to +40°C  
**Operating humidity range** 35% to 80% RH (no condensation)

**Power consumption in standby mode**  
(With "BLUETOOTH STANDBY" set to "OFF") 0.3 W (approximate)  
**Power consumption in standby mode**  
(With "BLUETOOTH STANDBY" set to "ON") 0.4 W (approximate)

**Note:**  
• Specifications are subject to change without notice. Mass and dimensions are approximate.  
• Total harmonic distortion is measured by the digital spectrum analyser.

### About Bluetooth®

Panasonic cannot be held responsible for data and/or information that can possibly be compromised during a wireless transmission.

**Frequency band**  
• This system uses the 2.4 GHz frequency band.

**Certification**  
• This system conforms to the frequency restrictions and has received certification based on frequency laws. Thus, a wireless permit is not necessary.  
• The actions below are punishable by law:

- Taking apart or modifying the main unit.
- Removing specification indications.

**Restrictions of use**  
• Wireless transmission and/or usage with all Bluetooth® equipped devices is not guaranteed.  
• All devices must conform to standards set by Bluetooth SIG, Inc.  
• Depending on the specifications and settings of a device, it can fail to connect or some operations can be different.  
• This system supports Bluetooth® security features. But depending on the operating environment and/or settings, this security is possibly not sufficient. Transmit data wirelessly to this system with caution.  
• This system cannot transmit data to a Bluetooth® device.

**Range of use**  
• Use this device at a maximum range of 10 m.  
• The range can decrease depending on the environment, obstacles or interference.

**Interference from other devices**  
• This system may not function properly and troubles such as noise and sound jumps may arise due to radio wave interference if this unit is located too close to other Bluetooth® devices or the devices that use the 2.4 GHz band.  
• This system may not function properly if radio waves from a nearby broadcasting station, etc. is too strong.

**Intended usage**  
• This system is for normal, general use only.  
• Do not use this system near an equipment or in an environment that is sensitive to radio frequency interference (example: airports, hospitals, laboratories, etc.).

### Licenses

The Bluetooth® word mark and logos are registered trademarks owned by Bluetooth SIG, Inc. and any use of such marks by Panasonic Corporation is under license. Other trademarks and trade names are those of their respective owners.

MPEG Layer-3 audio coding technology licensed from Fraunhofer IIS and Thomson.

For the United Kingdom and Ireland

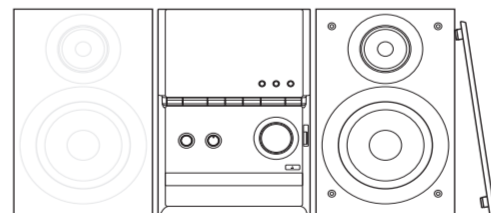
CE 0700

#### Declaration of Conformity (DoC)

Hereby, "Panasonic Corporation" declares that this product is in compliance with the essential requirements and other relevant provisions of Directive 1999/5/EC.

Customers can download a copy of the original DoC to our R&TTE products from our DoC Server:  
<http://www.doc.panasonic.de>  
Contact to Authorised Representative: Panasonic Marketing Europe GmbH, Panasonic Testing Centre, Winsbergring 11, 22525 Hamburg, Germany

### Placement of speakers



The left and right speakers are the same.

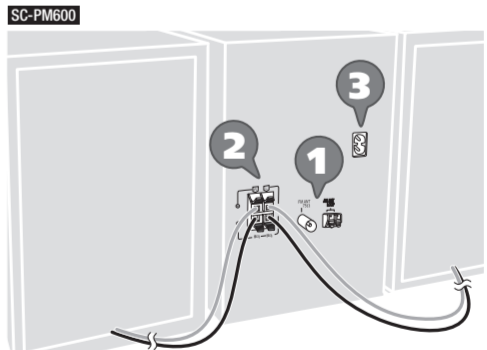
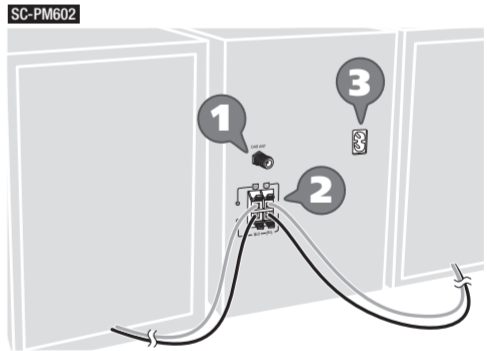
**Use only the supplied speakers.**  
You can cause damage to the system and decrease the sound quality if you use other speakers.

- Note:**
- Keep your speakers more than 10 mm from the main unit for ventilation.
  - Put the speakers on a flat safe surface.
  - These speakers do not have magnetic shielding. Do not put them near TVs, PCs or other equipment easily influenced by magnetism.
  - When you play at high levels for a long period, it can cause damage to the speakers and decrease the life of the speakers.
  - Decrease the volume in these conditions to prevent damage:
    - When the sound is distorted.
    - When you adjust the sound quality.
  - To prevent damage to the speakers, do not touch the speaker cones if you remove the nets.

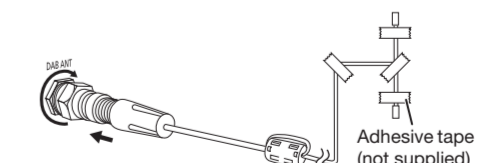
**CAUTION!**  
• Use the speakers only with the recommended system. If not, you can cause damage to the amplifier and speakers and can cause a fire. Consult an approved service personnel if damage occurs or if there is a sudden apparent change in performance.  
• Do the procedures included in these instructions when you attach the speakers.

### Making the connections

Connect the AC mains lead only after all the other connections have been made.

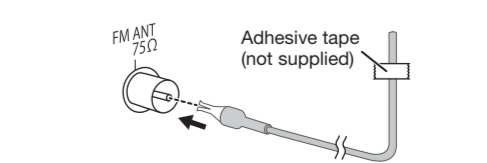


- SC-PM602**  
Connect the DAB antenna. Be sure to tighten fully the nut.

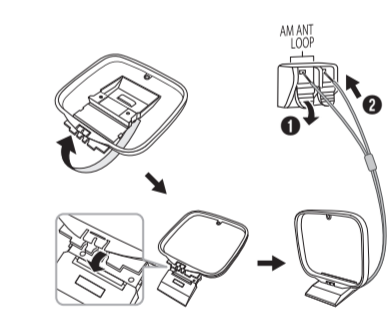


Do not use any other DAB antenna except the supplied one. Use an outdoor antenna if the reception is poor.

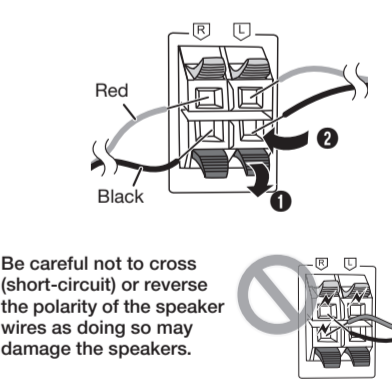
SC-PM600  
Connect the FM indoor antenna. Place the antenna where reception is best.



Connect the AM loop antenna. Stand the antenna up on its base until it clicks.



- 2** Connect the speakers.



Be careful not to cross (short-circuit) or reverse the polarity of the speaker wires as doing so may damage the speakers.

- 3** Connect the AC mains lead.

(For the AC mains plug of three pins) READ THE "Caution for AC mains lead" BEFORE CONNECTION.

To household mains socket

Do not use an AC mains lead from other equipment.

**Conserving power**  
The system consumes a small amount of power (→ "Specifications") when it is in standby mode. Disconnect the power supply if you do not use the system. Some settings will be lost after you disconnect the system. You have to set them again.

